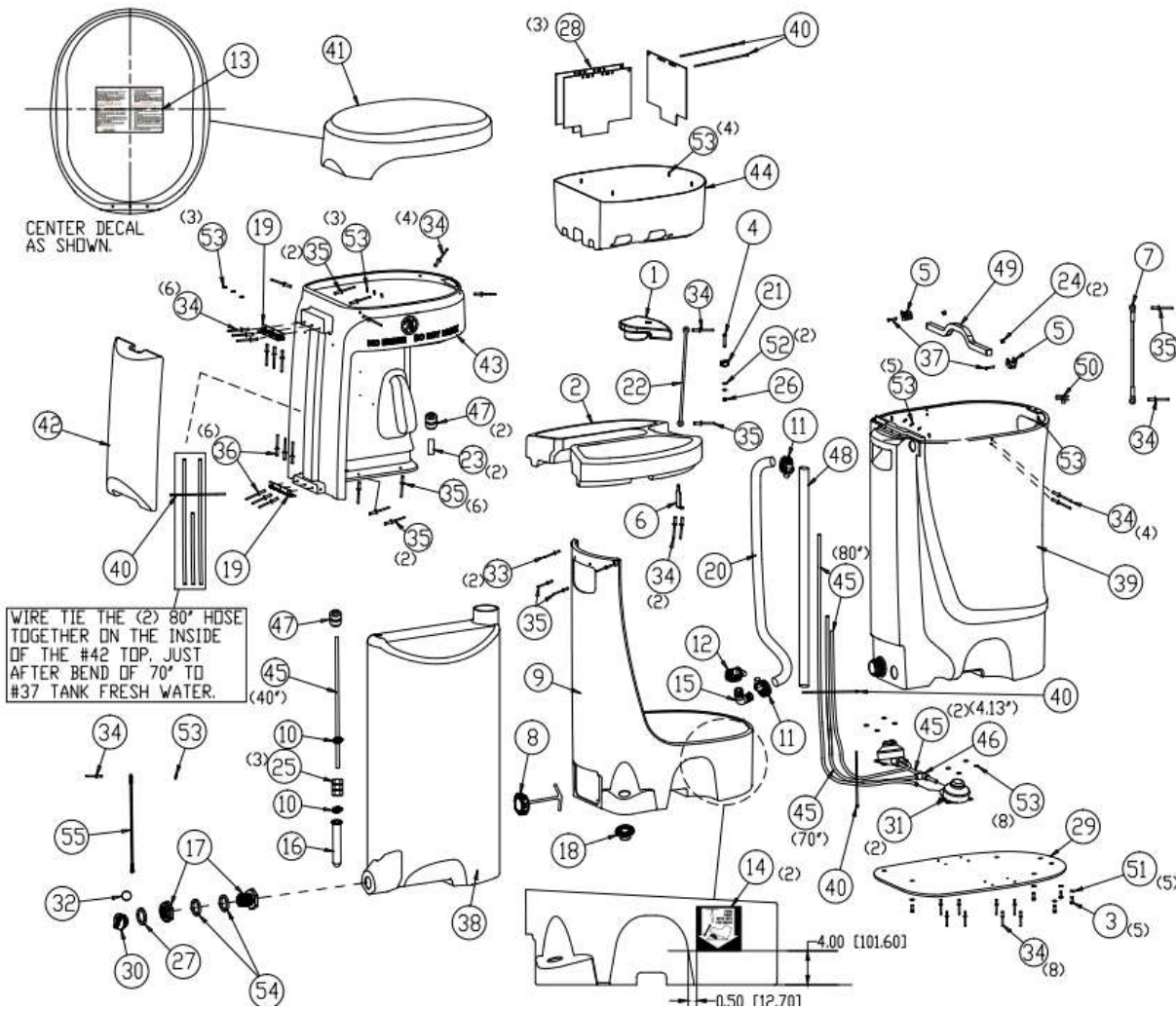


### BREEZE II™ MAJOR ASSEMBLY



### KIT- BREEZE II LATCH CAP LOCK



REV A ITEM #	PART#	QTY PER UNIT	DESCRIPTION	PRICE EACH
	22094	1	KIT- BREEZE II LATCH CAP LOCK	
1	22124	1	STRIKE LATCH- BREEZE II CAP	
2	22093	1	CATCH LATCH- BREEZE II CAP LCK	
3	17436	4	RIVET- AVDEL SILVER	
4	22095	1	INSTR- BREEZE II LATCH CP LOCK	

## BREEZE II™ MAJOR ASSEMBLY

REV E ITEM #	PART#	QTY PER UNIT	DESCRIPTION	PRICE EACH
	21300	1	BREEZE II- HANDWASH	CALL
1	21278	1	BASIN LID- BREEZE II DGRY	
2	21272	1	BASIN- BREEZE II DGRY	
3	16814	5	BOLT- 1/4-20 X 3/4 STNLS	
4	12025	1	BOLT- 1/4-20 X 1-1/2 HX STNLS	
5	21273	2	BRACKET- BREEZE II HOLDOWN	
6	21326	1	BRACKET- BREEZE II BASIN LID	
7	18380	1	CABLE- BREEZE TANK	
8	21322	1	CAP- 2-1/4 W/GSKT W/TETHR PLST (Black Gray Water Cap)	
9	21277	1	CAP- BREEZE II BOTTOM DGRY	
10	21069	2	CLAMP- WORMDRIVE #4 STNLS	
11	12588	2	CLAMP- WORMDRIVE #12	
12	19386	1	CLAMP- WORMDRIVE #16	
13	18242	1	DECAL- BREEZE/WAVE PROCEDURE	
14	17463	2	DECAL- WAVE/BREEZE PUMP INSTR	
15	21294	1	ELBOW- 90 3/4INS X 3/4INS POLY	
16	16829	1	FILTER- 1/2 X 3-1/2 CYLINDER	
17	21281	1	FITTING- BULKHEAD BREEZE II	
18	21282	1	FITTING- PUMP OUT BREEZE II	
19	21302	2	HINGE- BREEZE II	
20	14384	44"	HOSE- #44 FLEX	
21	21297	1	KNOB- 1/4 WING THUMB SCREW	
22	21320	2	LAYNARD- 8in 2 EYELETS NYLON	
23	16819	2	NOZZLE- THE WAVE	
24	20903	2	NUT- #10-24 NYLOC STNLS	
25	19271	3	NUT- 5/8-11 NC STNLS	
26*	16307	1	NUT- 1/4-20 NYLOC STNLS	
27	21511	1	O RING- 0.103 THK x 0.924 ID	
28	21274	3	PANEL- BREEZE II TOWEL	
29	21283	1	PLATE- BREEZE II BOTTOM	
30	21284	1	PLUG- 3/4in STR PIPE W/O RING (O'ring use item#21511) White Fresh Water Cap	
31	16305	2	PUMP- BABY FOOT 3/8 HOSE INS	
32*	21318	1	RING- SPLIT BREEZE II BASIN	
33*	21327	2	RIVET- #616 AAP ALUM	
34*	11027	27	RIVET- #66 ALUM	
35	17436	14	RIVET- AVDEL SILVER	
36*	15975	6	RIVET- #66 STNLS	
37	19184	2	SCREW- #10-24 1-1/2 STNLS PHPN	
38	21285	1	TANK- BREEZE II FRESH WATER	
39	21286	1	TANK- BREEZE II GREY WATER	
40	11261	5	TIE- WIRE 6in	
41	21275	1	TOP CAP- BREEZE II DGRY	
42	21276	1	TOP STRIPE- BREEZE II DGRY	
43	21287	1	TOP- BREEZE II BLUE	
44	21279	1	TOP- BREEZE II INSERT DGRY	
45	16304	278"	TS HOSE- 3/8 OD TUBING	
46	18345	1	TS FITTING- 3/8 HOS TEE	
47	16823	3	TS FITTING- 3/8 HOS X BULKHEAD	
48	21319	1	TUBE- 3/4 X 32in PVC SCH40	
49	21288	1	TUBE- BREEZE II FRESH HOLDOWN	
50*	21280	1	U-NUT- 1/4-20 PLTD	
51*	11360	5	WASHER- 1/4 ID FENDER STNLS	
52*	12382	2	WASHER- 1/4 FLAT STNLS	
53	11315	25	WASHER- 3/16 RIVET STNLS	
54	21295	2	WASHER- 1-1/2 ID RUBBER	
55	22120	1	LANYARD- 8in BALL CHAIN STNLS	
	21516	1	KIT- BREEZE II HEATER	
	21558	1	PLUG- 1-1/2 ROUND W/DRAIN HOLE	
	20508	1	BOOT- BABY FOOT PUMP (BLACK)	

\* ONLY SOLD IN MULTIPLES OF 100

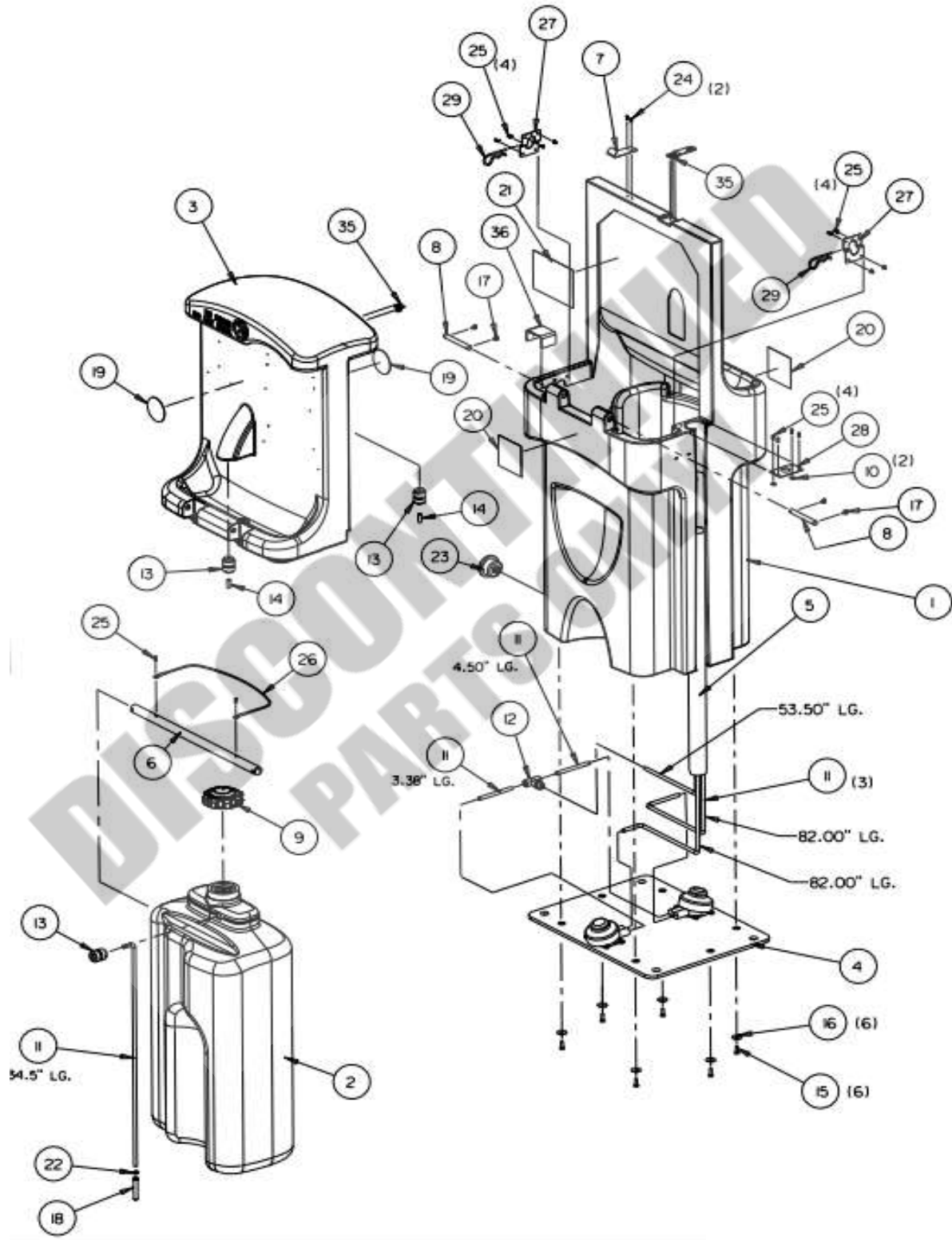
Consult your Area Manager at:

Tel: 1-800-883-1123 (US &amp; Canada) Fax: 1-800-328-3334 (US &amp; Canada) Español: 1-877-452-1187

Website: www.satelliteindustries.com

## BREEZE™ MAJOR ASSEMBLY

Discontinued



Visa / Mastercard / American Express / Discover

\$25.00 Minimum Order — Prices and quantities subject to change / all prices are FOB FACTORY — Priced in U.S. Dollars  
20% minimum restocking charge applies on returns

## BREEZE™ MAJOR ASSEMBLY

REV D ITEM #	PART#	QTY PER UNIT	DESCRIPTION	PRICE EACH
	18233	1	THE BREEZE	CALL
1	18234	1	TANK- BREEZE GREY	
2	18235	1	TANK- BREEZE FRESH	
3	18236	1	BASIN- BREEZE	
4	22504	1	PLATE ASSY- BREEZE BASE	
5	18238	1	TUBE- BREEZE HOSE	
6	18239	1	TUBE- BREEZE TANK HOLDDOWN	
7	18240	1	LATCH- BREEZE	
8	17395	2	STRUT- POLYETHYLENE SHORT	
9	18344	1	CAP- 3-1/2in W/VENT	
10	11315	2	WASHER- 3/16 RIVET STNLS	
11*	16304	260"	TS HOSE- 3/8 OD TUBING	
12*	18345	1	TS FITTING- 3/8 HOS TEE	
13	16823	3	TS FITTING- 3/8 HOS X BULKHEAD	
14	16819	2	NOZZLE- THE WAVE	
15	16814	6	BOLT- ¼-20 X ¾ STNLS	
16	11360	6	WASHER- ¼ ID FENDER STNLS	
17	16393	4	SCREW- #10 X 1/2 HI-LO PHPN	
18*	16829	1	FILTER- ½ X 3-1/2 CYLINDER	
19*	13776	2	DECAL- DO NOT DRINK	
20	17463	2	DECAL- WAVE/BREEZE PUMP INSTR	
21	18242	1	DECAL- BREEZE/WAVE PROCEDURE	
22	10280	1	CLAMP- WORMDRIVE #6 STNLS	
23	17458	1	PLUG- 2in RUBBER HOLE (YELLOW 2008 TO PRESENT)	
24	17436	2	RIVET- AVDEL SILVER	
25	15975	14	RIVET- #66 STNLS	
26*	18380	1	CABLE- BREEZE TANK	
27	18374	2	BRACKET- BREEZE HOLDDOWN	
28	18383	1	PLATE- BREEZE HOSE TUBE	
29	18381	2	HAIRPIN-1in COTTER STNLS	
35	18446	1	KIT- BREEZE HASP W/FASTENERS	
	18447	1	KIT- WASTEBASKET BRACKET	
	20508	1	BOOT – BABY FOOT PUMP (BLACK)	
36	18447	1	KIT- WASTEBASKET BRACKET	