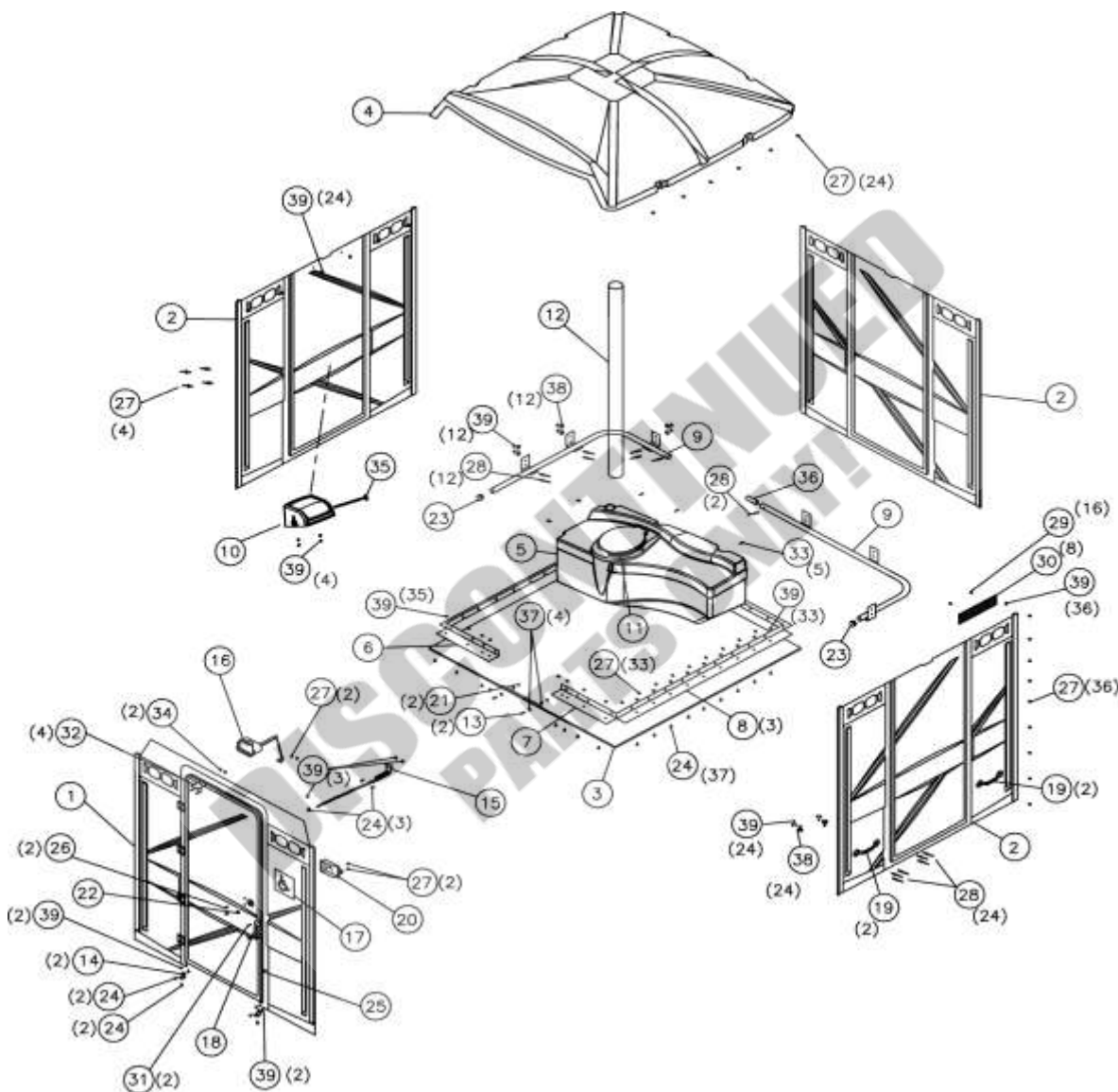


FREEDOM 2® MAJOR ASSEMBLY

Discontinued



FREEDOM 2® COLOR CHART

	GREY	ROYAL BLUE	TEAL	SAND	FOREST GREEN
PANEL PART#	21130	15120	14535	15524	15831

FREEDOM 2® MAJOR ASSEMBLY

Discontinued

REV U ITEM #	PART#	QTY PER UNIT	DESCRIPTION	PRICE EACH
1	SEE CHART	1	FRONT ASSEMBLY- FREEDOM2	NOT SALEABLE
2	SEE CHART	3	PANEL- FREEDOM 2 ROUTED	
3	14556	1	FLOOR- FREEDOM2 DRILLED	
4	14510	1	ROOF- FREEDOM2	
5	16538	1	TANK- FRE/LIB LARGE GREY	
6	15406	1	ANGLE- PLSTC FRONT LEFT FREEDM	
7	15407	1	ANGLE- PLSTC FRONT RGHT FREEDM	
8	15408	3	ANGLE- PLSTC SIDE FREEDOM FLOOR	
9	15590	2	HANDRAIL- FREEDOM2 L/R	NOT SALEABLE
10	17082	1	HOOD- PAPERGUARD II GREY	
	16928	1	KIT- PAPERGRD 2 ROLL PUSH CAP	
	16845	1	KIT- PAPERGRD 2 ROLL POP RIVET	
	19116	1	KIT- PAPERGRD 3 ROLL PUSH CAP	
	19114	1	KIT- PAPERGRD 3 ROLL POP RVT	
	19408	1	KIT- PAPERGRD 4 ROLL VERTICAL	
11	10570	1	SEAT- TOILET BLACK (INCLUDES HARDWARE - 10 PER CASE)	
	19196	1	KIT- T/SEAT 2-1/2 BOLT/NUT SET	
12	13796	1	VENT PIPE- 3 X 65-1/2 BLACK	
13*	10105	2	BOLT- ¼-20 X 1 PHPN PLTD	
14	16175	2	BRACKET- L 1in STNLS	
15	11734	1	CHAIN- DOOR STOP	
16	16559	1	CLOSURE ASSY- ADJUSTABLE DOOR	
17	10394	1	DECAL- HCP (ISA) FREEDOM2	
18	13279	1	HANDLE- DOOR	
19	14611	4	HANDLE- RESTROOM LIFT	
20	14528	1	LATCH- FREEDOM2 DOOR	
	15063	1	KIT FREEDOM LATCH REPLACEMENT	
21*	13128	2	NUT- ¼-20 NYLOC	
22*	10161	1	PLUG- ½ INDICATOR BLACK PLST	
23	15588	2	PLUG- 1-1/4 HOLE	
24	14351	44	RIVET- #610 CCP	
25*	11024	1	RIVET- #610 AAP	
26*	11027	2	RIVET- #66 ALUM	
27*	11054	101	RIVET- #68 AAL POP	
28*	11270	38	RIVET- #68 STNLS	
29*	15337	16	RIVET- .195in PLASTIC EXPANDNG	
30	14112	8	SCREEN- 3.8 X 15.25 PLSTC VENT	
31*	10122	2	SCREW- #10 X ¾ PHPN TAP PLTD	
32*	10109	4	BOLT- #10-24 X ¾ PHPN PLTD	
33*	13860	5	SCREW- #14 X 1-1/2 W/WSH GOLD	
34	14527	2	SPACER- FREEDOM2 HINGE	
35	16844	1	SPINDLE- PAPERGUARD II	
	12642	1	SPINDLE- PAPERGRD 2 ROLL WOOD	
	22310	1	SPINDLE- PRGRD II 3 ROLL METAL	
	18696	1	SPINDLE- PAPERGRD 3 ROLL WOOD	
36	15589	1	TUBE- HANDRAIL INSERT	
37*	12382	4	WASHER- ¼ FLAT STNLS	
38*	11361	36	WASHER- 3/16 ID FENDER	
39*	11315	175	WASHER- 3/16 RIVET STNLS	
	14579	1	INSTRUCTIONS- FREEDOM 2 (NOT SHOWN)	

* ONLY SOLD IN MULTIPLES OF 100

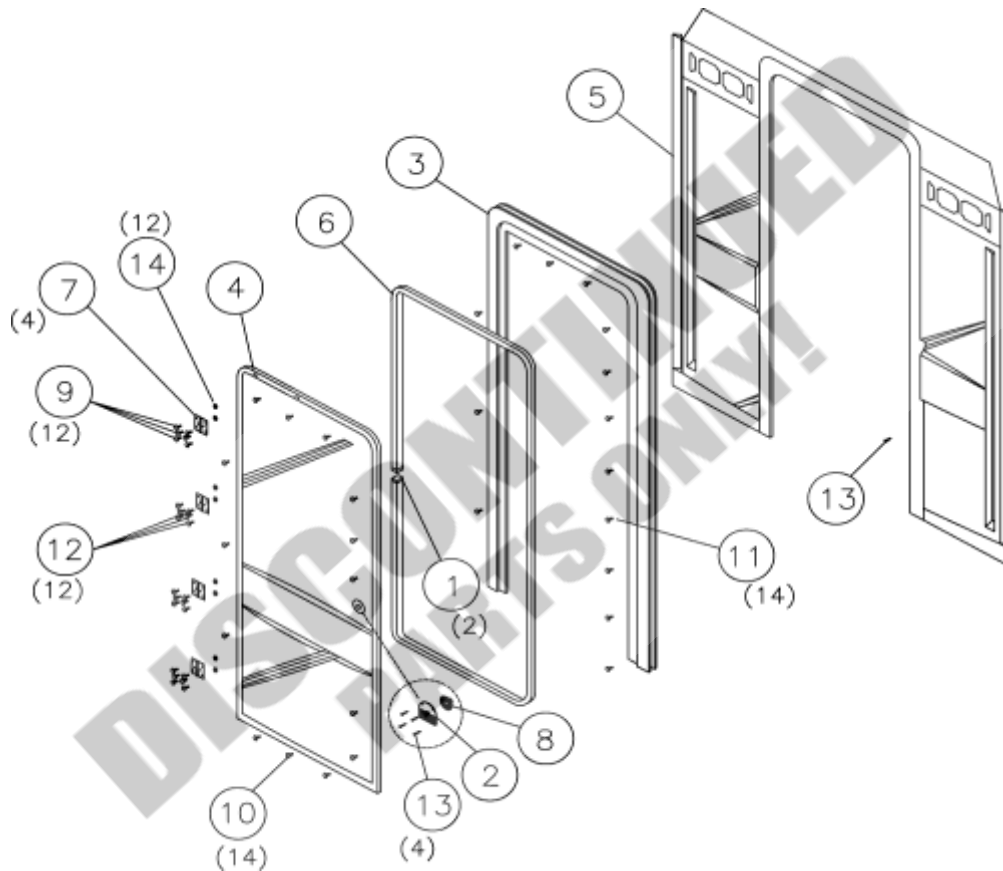
Consult your Area Manager at:

Tel: 1-800-883-1123 (US & Canada) Fax: 1-800-328-3334 (US & Canada) Español: 1-877-452-1187

Website: www.satelliteindustries.com

FREEDOM 2® FRONT ASSEMBLY

Discontinued



REV H ITEM #	PART#	QTY PER UNIT	DESCRIPTION	PRICE EACH
			FRONT ASSY- FREEDOM 2 & SRO (NO LATCH)	NOT SALEABLE
1	11555	2	PLUG- 3/8 BLACK PLASTIC SQUARE	
2	13415	1	COVER- INDICATOR BLACK	
3		1	DOOR JAMB- FREEDOM2 THICK	NOT SALEABLE
4		1	FREEDOM2 DRILLED DOOR	NOT SALEABLE
5		1	FREEDOM2 DRILLED FACING	NOT SALEABLE
6		1	FRAME- FREEDOM2 DOOR	NOT SALEABLE
7	15708	4	HINGE- DOOR STNLS HEAVY NARROW	
8	15630	1	INDICATOR- UNIVERSAL	
9	14351	12	RIVET- #610 CCP	
10*	11030	14	RIVET- #66 AAL POP	
11*	11024	14	RIVET- #610 AAP	
12*	11270	12	RIVET- #68 STNLS	
13*	10804	5	SCREW- #8 X 3/4 PHPN TAP	
14*	11315	12	WASHER- 3/16 RIVET STNLS	

* ONLY SOLD IN MULTIPLES OF 100

Visa / Mastercard / American Express / Discover
 \$25.00 Minimum Order — Prices and quantities subject to change / all prices are FOB FACTORY — Priced in U.S. Dollars
 20% minimum restocking charge applies on returns