

	ITEM	BLUE	FOREST GREEN	SAND	GREY	YELLOW	RED	ORANGE
FRONT GB	Door	40233	40234	40235	40237	40238	40239	40236
PANEL GB	Panel	40226	40227	40228	40230	40231	40232	40229

CUSTOM COLORS (QTY 55 – 4 TO 6 WEEKS LEAD TIME FROM ORDER RELEASE)
 CONTACT AREA MANAGERS FOR PRICING – NEW FRONTS AND PANELS CAN BE USED WITH OLD UNITS

Visa / Mastercard / American Express / Discover
 \$25.00 Minimum Order — Prices and quantities subject to change / all prices are FOB FACTORY — Priced in U.S. Dollars
 20% minimum restocking charge applies on returns

GLOBAL II™ MAJOR ASSEMBLY

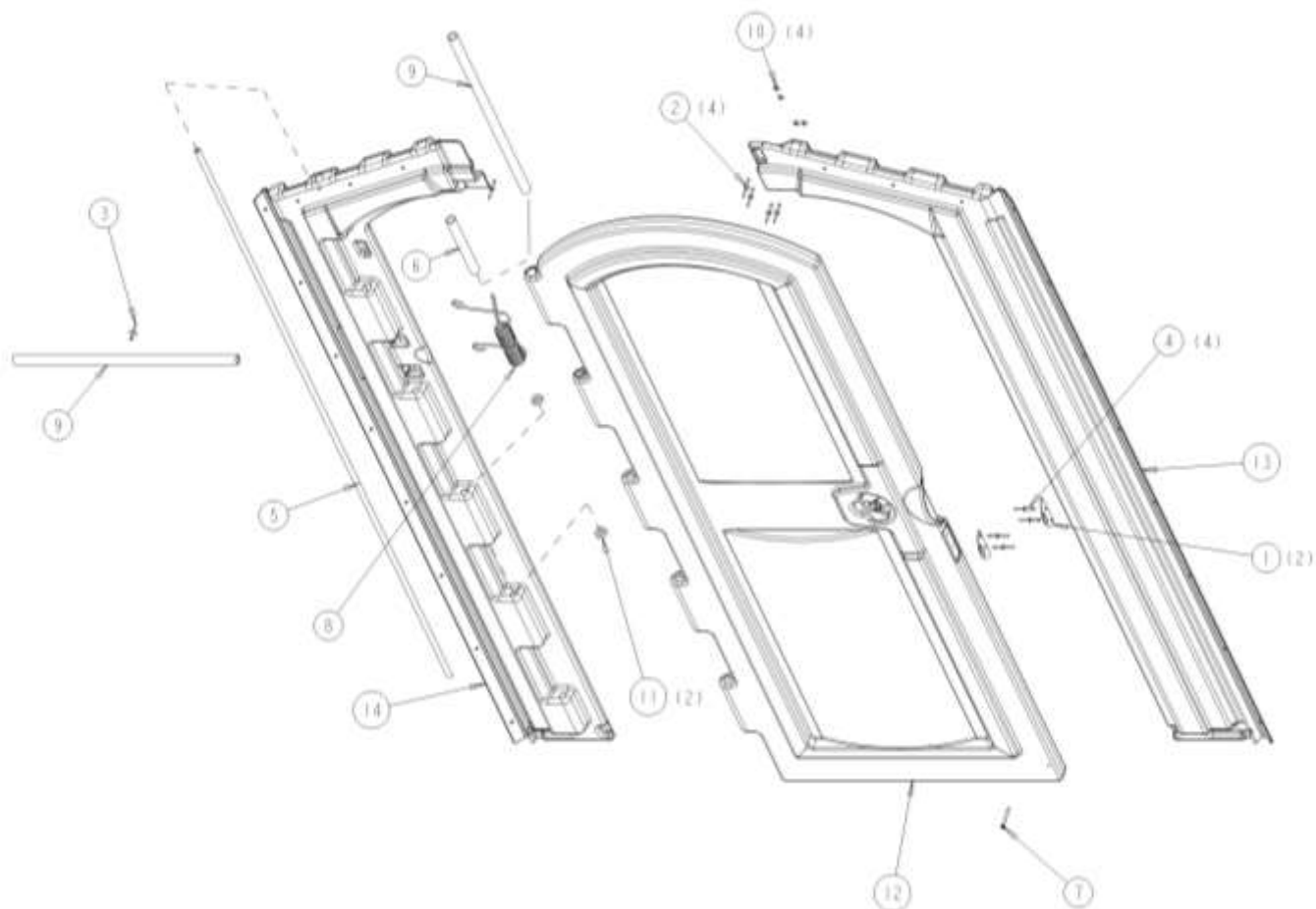
REV B ITEM#	PART#	QTY PER UNIT	DESCRIPTION	PRICE EACH
1	40014	1	BASE- GB DIRT BUSTER	
1A	19014	1	BASE- TUFWAY ROTOMOLDED Discontinued	
1B	22234	1	BASE- BLOWMOLDED Bolt/w washer may be needed item#22384 (6 per base)	
2	40020	4	EXTRUSION- GB T DRILLED BLACK	
3	SEE COLOR	1	FRONT ASSY- GB II	
	40225	4	HDWE- GB II	
	40083	1	KIT- GB T EXT HDWE ADD ON	
4	SEE COLOR	3	PANEL- GB II	
5	22209	1	HOOD- PAPERGRD 3 ROLL DGRY	
	22335	1	KIT- PAPERGRD II 3ROLL POP RVT	
6	40223	1	ROOF- GB II NATURAL	
7	10570	1	SEAT- TOILET BLACK (INCLUDES HARDWARE - 10 PER CASE)	
	19196	1	KIT- T/SEAT 2-1/2 BOLT/NUT SET	
8	16075	1	SHELF- MX2 & TUFWAY DGRY	
9	10553	1	TANK- TUFWAY DGRY	
10	14119	1	URINAL- STANDOVER DGRY	
11	14133	1	VENT PIPE- 4 X 62-1/2 DGRY	
12	13173	1	BOLT- 5/16 X 3-1/2 HWHD	
13	40057	1	HANDLE- GB TOILET GREY	
14*	10891	1	HOOK- FLAT COAT STNLS	
15*	40242	1	INSTRUCTION- GB II T EXT	
16*	16307	1	NUT- 1/4-20 NYLOC STNLS	
17	18191	1	NUT- 5/16 SERRATED FLANGE	
18*	17436	1	RIVET- AVDEL SILVER	
19*	11030	22	RIVET- #66 AAL POP	
20*	11054	6	RIVET- #68 AAL POP	
21*	13860	30	SCREW- #14 X 1-1/2 W/WSH GOLD	
22	40052	1	SCREW- 1/4-20x3-1/2 PH PNHD SS	
23	22310	1	SPINDLE- PRGRD II 3 ROLL METAL	
24*	12382	1	WASHER- 1/4 FLAT STNLS	
25	11360	1	WASHER- 1/4 ID FENDER STNLS	
26	11315	26	WASHER- 3/16 RIVET STNLS	
	40083	1	KIT - GB T HDWE ADD ON	
27	11030	32	RIVET- #66 AAL POP	
28	11315	32	WASHER- 3/16 RIVET STNLS	
29	22384	6	BOLT-1/4-20X1-1/4 DOG PNT WSH	
	40085	1	FLOOR OVERLAY- 20-1/2 x 40-1/2 (FITS 2016 TO PRESENT)	
	40086	1	FLOOR OVERLAY- 22 x 40-1/2 (FITS PRE 2011)	

ONLY SOLD IN MULTIPLES OF 100*

NOTE: PN 13173 & PN 18191 ARE USED ONLY WITH ROTO BASE UNIT & HD EXTRUSION IS NOT COMPATIBLE

Consult your Area Manager at:
 Tel: 1-800-883-1123 (US & Canada) Fax: 1-800-328-3334 (US & Canada) Español: 1-877-452-1187
 Website: www.satelliteindustries.com

GLOBAL™ II FRONT ASSEMBLY

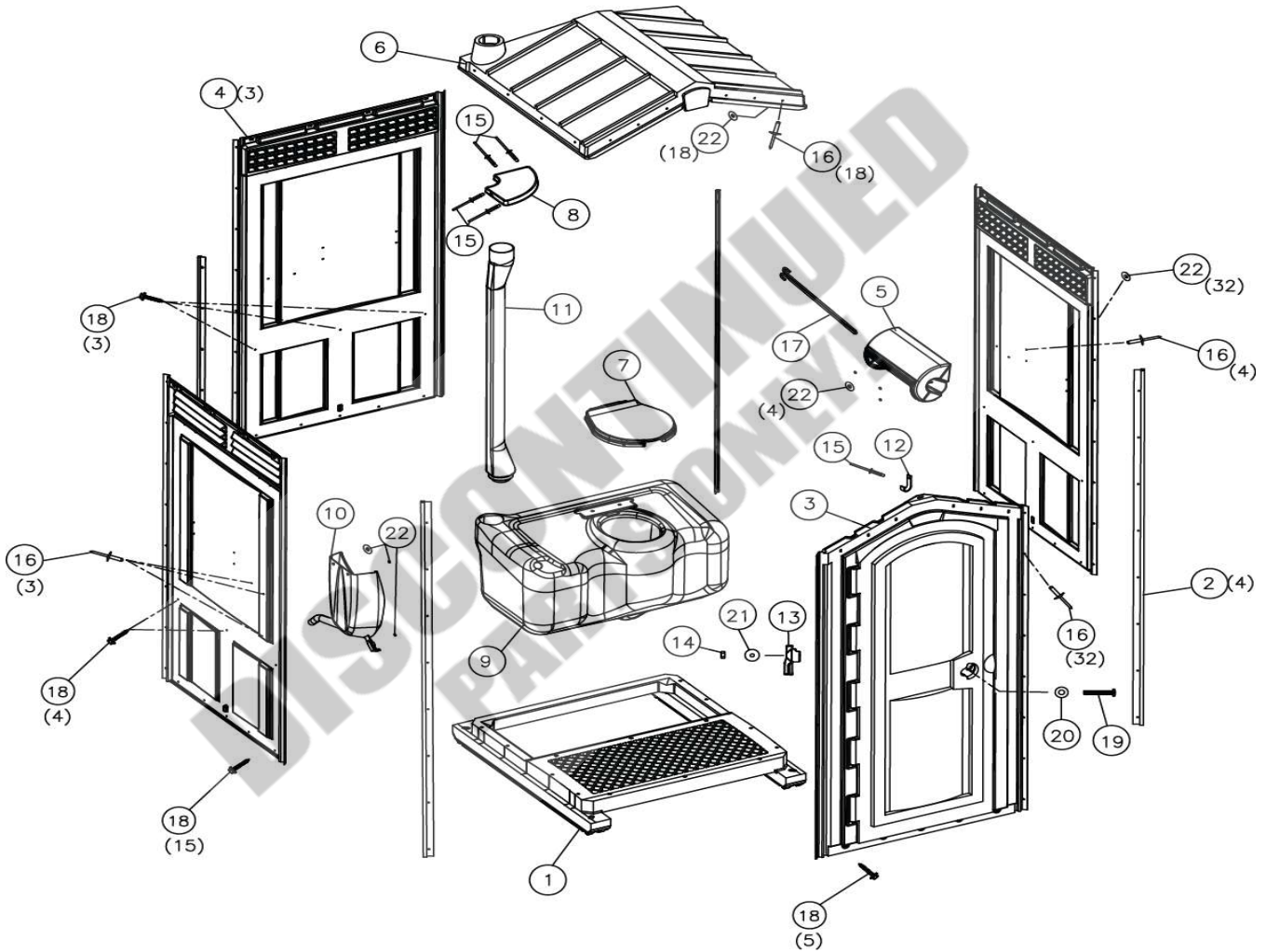


REV C Item #	PART #	QTY PER UNIT	DESCRIPTION	PRICE EACH
1	40140	2	HASP- GB FRONT	
2*	22207	4	RIVET- #68 AAP POP	
3*	11054	1	RIVET- #68 AAL POP	
4*	17436	4	RIVET- AVDEL SILVER	
5	40148	1	ROD- GB FRONT	
6	40150	1	ROD SLEEVE- GB FRONT SPRING	
7*	18098	1	SCREW- #10 X 2 PN PH TAP	
8	40110	1	SPRING- GB FRONT	
9	40104	2	TUBE- GB FRONT HANDLE	
10*	11315	4	WASHER- 3/16 RIVET STNLS	
11		1	DOOR – GB II	NOT SALEABLE
12		1	FACING – HASP GB II	NOT SALEABLE
13		1	FACING – HINGE GB II	NOT SALEABLE

ONLY SOLD IN MULTIPLES OF 100*

GLOBAL™ MAJOR ASSEMBLY

Discontinued 2016



GLOBAL™ COLOR CHART

	BLUE	FOREST GREEN	SAND	GREY	ORANGE
FRONT GB				40010	
PANEL GB			40002		40006
SHELF		40038	40039	40040	
URINAL	40023		40025	40026	
VENT PIPE	40060	40061	40062	40063	

CUSTOM COLORS (QTY 55 – 4 TO 6 WEEKS LEAD TIME FROM ORDER RELEASE)
CONTACT AREA MANAGERS FOR PRICING

Visa / Mastercard / American Express / Discover
\$25.00 Minimum Order — Prices and quantities subject to change / all prices are FOB FACTORY — Priced in U.S. Dollars
20% minimum restocking charge applies on returns

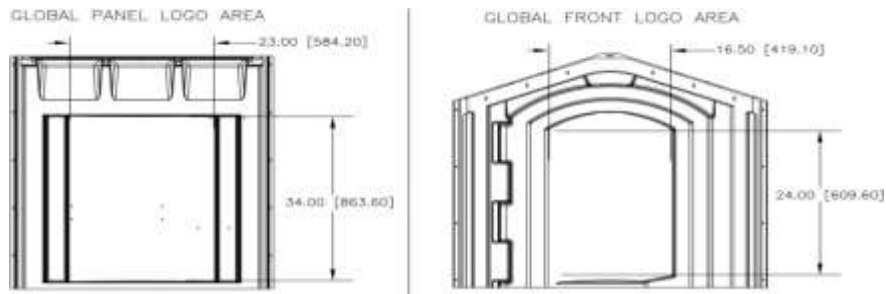
GLOBAL™ MAJOR ASSMBLY

Discontinued 2016

GOES WITH	REV D ITEM#	PART#	QTY PER UNIT	DESCRIPTION	PRICE EACH
	1	40014	1	BASE- GB DIRT BUSTER	
	2A	40020	4	EXTRUSION- GB T DRILLED BLACK	
	2B	40019	4	EXTRUSION- GB HD DRILLED GREY	
	3	SEE COLOR	1	FRONT ASSY- GB	
2A		40083	1	KIT- GB T EXT HDWE ADD ON	
2B		40084	1	KIT- GB HD EXT HDWE ADD ON	
	4	SEE COLOR	3	PANEL- GB	
	5	22209	1	HOOD- PAPERGRD 3 ROLL DGRY	
	6	40016	1	ROOF- GB NATURAL	
	7	10570	1	SEAT- TOILET BLACK (INCLUDES HARDWARE - 10 PER CASE)	
		14959	1	SEAT- ELONG MX2/MX3/TRS/HT/GB BLK (OLD TANKS PRE-05-11)	
		19196	1	KIT- T/SEAT 2-1/2 BOLT/NUT SET	
	8	SEE CHART	1	SHELF- GB	
	9	40017	1	TANK- GB DGRY (2011)	
	10	SEE CHART	1	URINAL- GB (MOUNTS TO FRONT OF TANK)	
	11	SEE CHART	1	VENT PIPE- GB	
		40022	1	HDWE- GB	
	12	10891	1	HOOK- FLAT COAT STNLS	
	13	40057	1	HANDLE- GB TOILET GREY	
	14*	16307	1	NUT- GB 1/4-20 NYLON LOCK	
	15*	17436	5	RIVET- AVDEL SILVER	
	16*	11030	25	RIVET- #66 AAL POP	
	17	40059	1	SPINDLE- PRGRD II 3 ROLL METAL (NEW 22310)	
	18*	13860	27	SCREW- # 14 X 1 - 1/2 W/WSH GOLD	
	19	40052	1	SCREW- GB 1/4 - 20 ROUND HEAD	
	20*	11360	1	WASHER- 1/4 ID FENDER STNLS	
	21*	12382	1	WASHER- 1/4 FLAT STNLS	
	22*	11315	25	WASHER- 3/16 RIVET STNLS	
		40085	1	FLOOR OVERLAY- 20-7/8 x 40-1/2 (2011 - 2016)	
		40086	1	FLOOR OVERLAY- 22 x 40-1/2 (FITS PRE 2011)	
		40044	9	SCREEN- GB VENT	
		40088	1	KIT- GB OLD SCREENS/RIVETS (2 RIVET HOLES) qty 9	
		17224	1	URINAL PLUG- 1-5/8 ROUND HOLE	
		40112		INSTRUCTIONS GB T EXT 505 TNK (NOT SHOWN)	
		40116		INSTRUCTIONS GB HD EXT 505 TNK (NOT SHOWN)	

ONLY SOLD IN MULTIPLES OF 100*

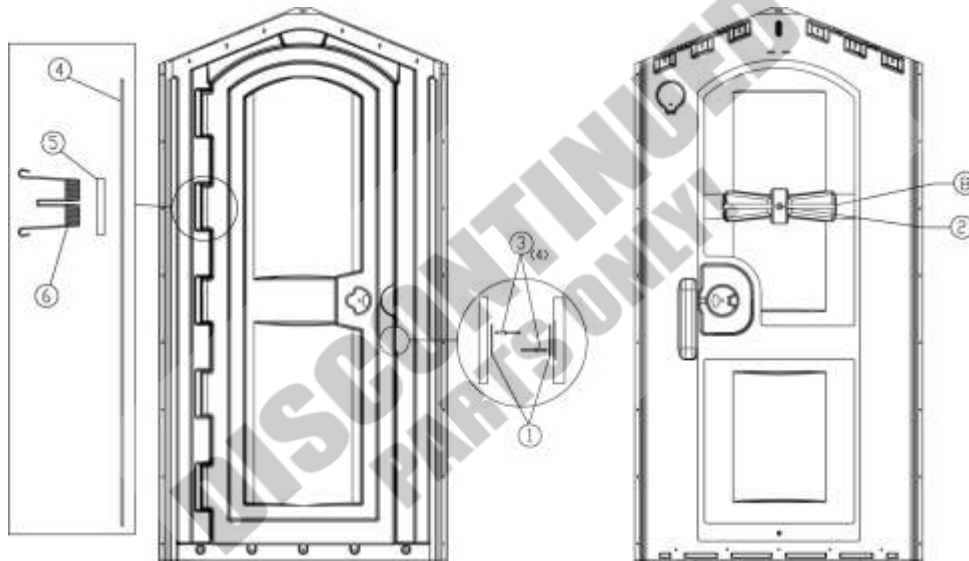
LOGO AREAS



Consult your Area Manager at:
 Tel: 1-800-883-1123 (US & Canada) Fax: 1-800-328-3334 (US & Canada) Español: 1-877-452-1187
 Website: www.satelliteindustries.com

GLOBAL™ FRONT ASSEMBLY

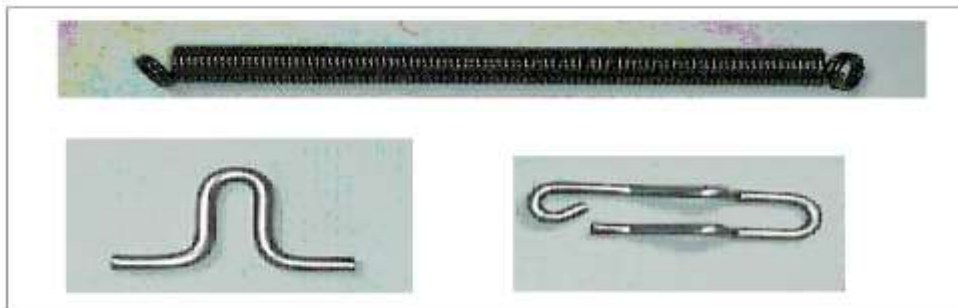
Discontinued 2016



REV C Item #	PART #	QTY PER UNIT	DESCRIPTION	PRICE EACH
1	40140	2	HASP- GB FRONT	
2*	11054	1	RIVET- #68 AAL POP	
3	17436	4	RIVET- AVDEL SILVER	
4	40148	1	ROD- GB FRONT	
5	40150	1	ROD SLEEVE- GB FRONT SPRING	
6	40110	1	SPRING- GB FRONT	
7	11261	1	TIE- WIRE 6in	
8	40104	1	TUBE- GB FRONT HANDLE	

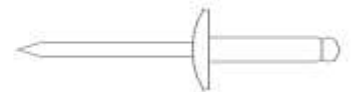
ONLY SOLD IN MULTIPLES OF 100*

REV B Item #	PART #	QTY PER UNIT	DESCRIPTION	PRICE EACH
	40102	1	KIT-GB DOOR SPRING PRE 2005	
	40109	1	INSTRUCTION- GB SPRING PR/2005 (NOT SHOWN)	



Side Door Anchor

Frame Side Anchor



Visa / Mastercard / American Express / Discover
 \$25.00 Minimum Order — Prices and quantities subject to change / all prices are FOB FACTORY — Priced in U.S. Dollars
 20% minimum restocking charge applies on returns

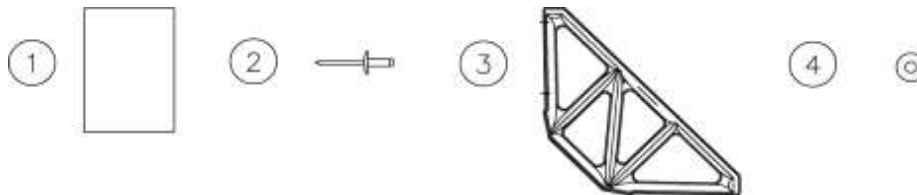
MIRROR
Can be use with

**TUFWAY- TAURUS- MAXIM 2000- MAXIM 3000- HIGH TECH I- GLOBAL- GLOBAL 1.5-
FREEDOM 3 AND LIBERTY RESTROOM MODELS**



REV F	PART#	QTY PER UNIT	DESCRIPTION	PRICE EACH
	17378		KIT- MIRROR 4 X 6 STNLS	

TUFWAY® SHELF



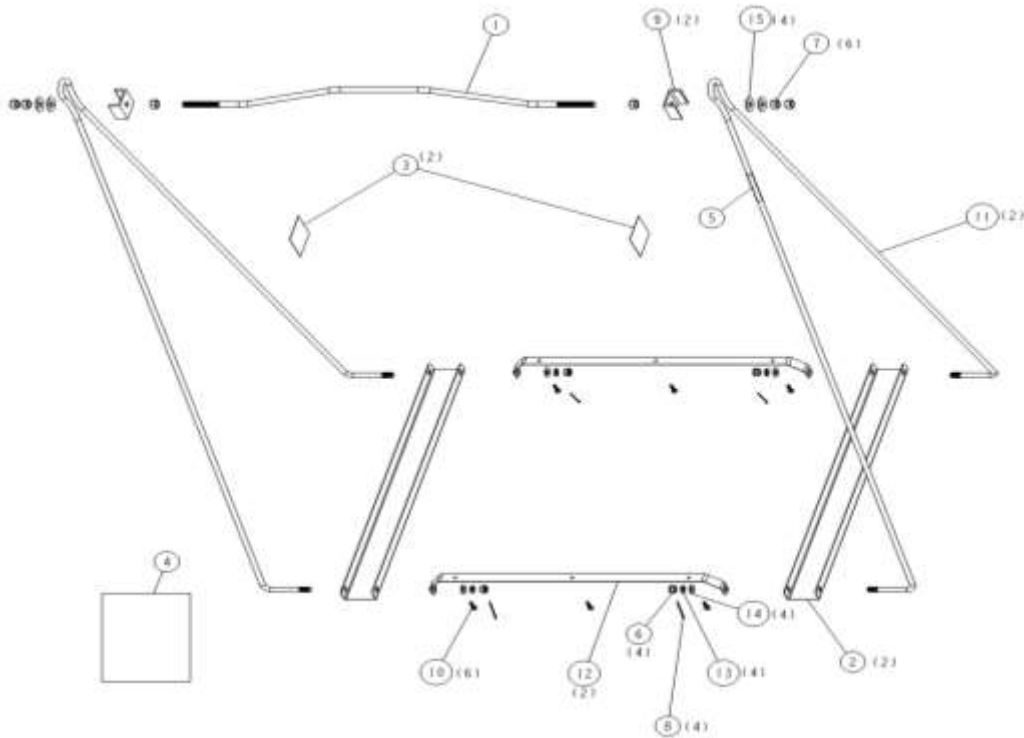
REV C ITEM #	PART#	QTY PER UNIT	DESCRIPTION	PRICE EACH
	17371		KIT- TUFWAY SHELF	
1	17455		INSTRUCTIONS- TUFWAY SHELF	
2*	11030	4	RIVET- #66 AAL POP	
3	16075	1	SHELF- MX2 & TUFWAY	
4*	11315	2	WASHER- 3/16 RIVET STNLS	

* ONLY SOLD IN MULTIPLES OF100

2X WET LIFT KIT

ROTO & UNIVERSAL BLOW BASE (TUFWAY – MAXIM 2000 – MAXIM 3000 & GLOBAL)

Cannot be used with Dirt Buster Base



REV D ITEM #	PART#	QTY PER UNIT	DESCRIPTION	PRICE EACH
	22370	1	KIT- 2X RESTROOM WET LIFT	
1	16132	1	BAR- HIGH RISE II SPREADER PLT	
2	22363	2	CRADLE- 2X WET LIFT	
3	22364	2	DECAL- 2X WET LIFT	
4	22365	1	INSTRUCTIONS- 2X WET LIFT (NOT SHOWN)	
5	22371	1	NAME PLATE- 2X REST WET LIFT	
6*	22367	4	NUT - 5/8-11 SLOTTED HEX	
7*	10767	6	NUT- 5/8 NC	
8	10851	4	PIN- 1/8 COTTER STNLS	
9	10263	2	RETAINER- HIGHRISE HANGER	
10*	13860	6	SCREW- #14 X 1-1/2 W/WSH GOLD	
11	16129	2	SLING- HIGH RISE II PLTD	
12	22368	2	STRAP- HIGH RISE HANGER PLTD	
13*	12390	4	WASHER- 3/4 FLAT	
14	22369	4	WASHER- 5/8 FLAT	
15*	11366	4	WASHER- 5/8 LOCK	

* ONLY SOLD IN MULTIPLES OF 100

Consult your Area Manager at:
 Tel: 1-800-883-1123 (US & Canada) Fax: 1-800-328-3334 (US & Canada) Español: 1-877-452-1187
 Website: www.satelliteindustries.com