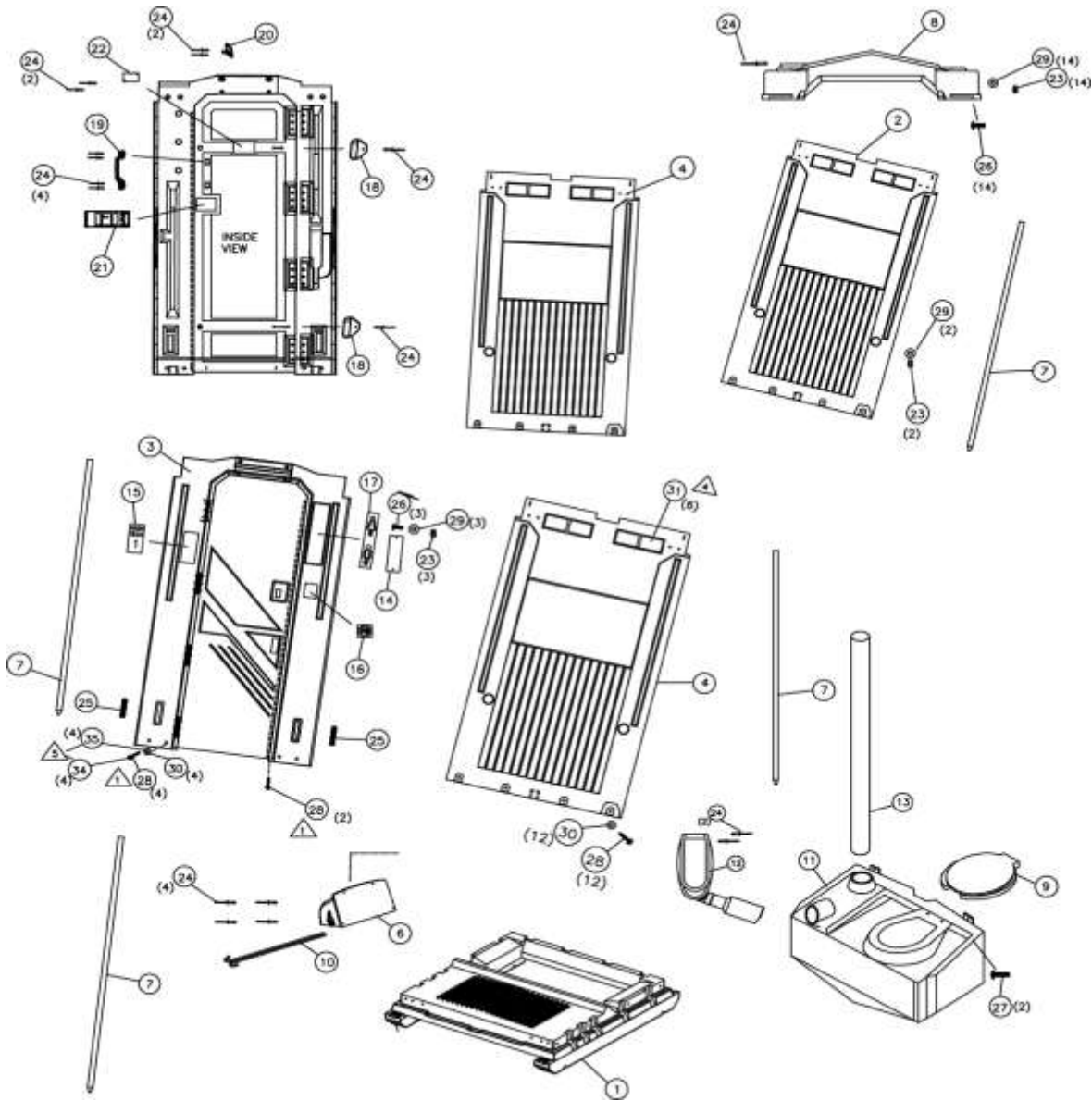


HIGH TECH 1® MAJOR ASSEMBLY



	DGRY	ORANGE	LTAN	RBLU	GGRN	PINK	LTBLU
FRONT	18637						
SIDE PANEL	18664	18663	18665	19372	18660	18815	18662
BACK PANEL		18657			18654		18656

CUSTOM COLORS (QTY 100 – 6 TO 8 WEEKS LEAD TIME FROM ORDER RELEASE)

CONTACT AREA MANAGERS FOR PRICING

Visa / Mastercard / American Express / Discover
 \$25.00 Minimum Order — Prices and quantities subject to change / all prices are FOB FACTORY — Priced in U.S. Dollars
 20% minimum restocking charge applies on returns

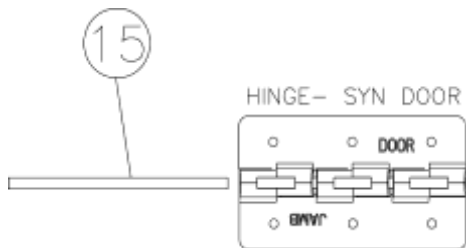
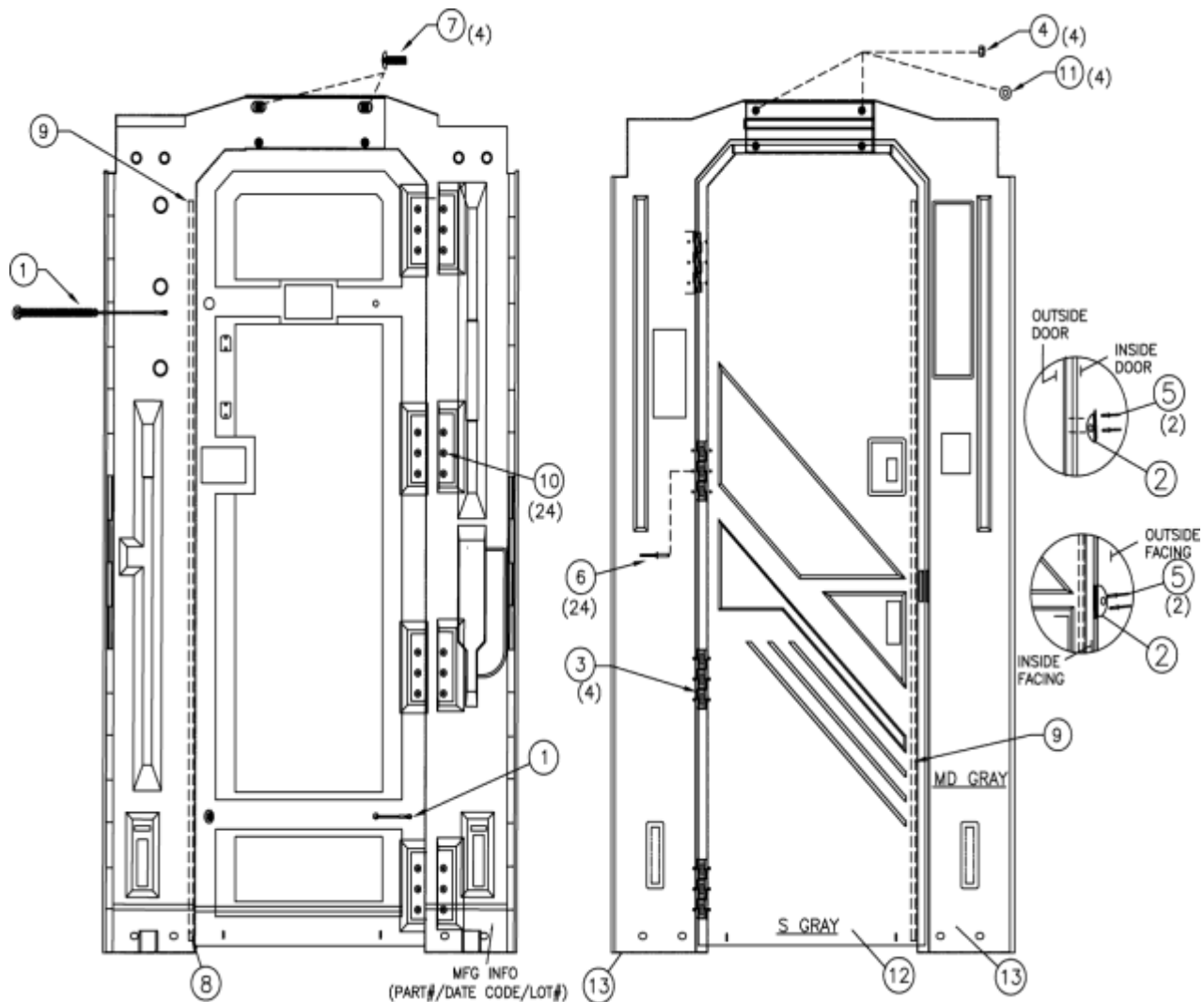
HIGH TECH 1® MAJOR ASSEMBLY

REV D ITEM #	PART#	QTY PER UNIT	DESCRIPTION	PRICE EACH
1	18615	1	BASE- TRS/HT ROTOMOLD	
2**	MTO	1	PANEL- HIGH TECH BACK	
3	18637	1	FRONT ASSY- HIGH TECH SGRY	
4**	MTO	2	PANEL- HIGH TECH SIDE	
	18649	1	HDWE- HIGH TECH	
6	18652	1	HOOD- PAPERGUARD 3 ROLL	
	19116	1	KIT- PAPERGRD 3 ROLL PUSH CAP	
	19114	1	KIT- PAPERGRD 3 ROLL POP RVT	
	19408	1	KIT- PAPERGRD 4 ROLL VERTICAL	
7	18681	4	ROD- FIBERGLASS 72	
8	18682	1	ROOF- HT1	
9	18757	1	SEAT- ELONG TRS/HT/WC GREY	
	19196	1	KIT- T/SEAT 2-1/2 BOLT/NUT SET	
10	22310	1	SPINDLE- PRGRD II 3 ROLL METAL	
	18696	1	SPINDLE- PAPERGRD 3 ROLL WOOD	
11	18698	1	TANK- TRS/HT 80 GAL	
12	18700	1	URINAL- TRS/HT W/TUBE	
	18856	1	TUBE- TRS/HT URINAL	
	18768	1	PLUG- URINAL HOLE SYNERGY TANK	
13	18759	1	VENT PIPE- SYN 4X60 GREY	
	18649		HDWE- HIGH TECH	
14	18719	1	COVER- GENDER HIGH TECH	
15	18720	1	DECAL- HIGH TECH	
16	18716	1	DECAL- NO SMOKING	
17	18808	1	DECAL- TRS/HT GENDER 2X11 WHITE	
18	18707	2	GUIDE- HT DOOR SPRING	
19	18708	1	HANDLE- PLASTIC LUGGAGE	
20	18712	1	HOOK- BLACK PLASTIC COAT	
21	18711	1	LATCH- SLIDE W/ENG LABEL (OLD TAURUS)	
	18763	1	DECAL- LATCH OPEN/INUSE SYN	
22	18710	1	MIRROR- 3 X 5 PLASTIC	
23*	13128	19	NUT- ¼-20 NYLOC	
24*	18755	17	RIVET- AVDEL SILVER LONG	
25	18713	2	SCREEN- 5-7/16 X 1-3/16 HT (new)	
26*	18705	17	SCREW- ¼-20 X3/4 TRUSS STNLS	
27*	18718	2	SCREW- ¼-20 X 1 TRUSS HEAD	
28*	13860	18	SCREW- #14 X 1-1/2 W/WSH GOLD	
29*	12382	19	WASHER- ¼ FLAT STNLS	
30*	11368	16	WASHER- 5/16 FLAT STNLS	
31	18849	6	SCREEN- HT 12.3 X 3.3 (old)	
	18686	1	INSTRUCTIONS- HIGH TECH (NOT SHOWN)	

* ONLY SOLD IN MULTIPLES OF 100

** LIMITED QTY - CALL

HIGH TECH 1® FRONT ASSEMBLY



Visa / Mastercard / American Express / Discover
 \$25.00 Minimum Order — Prices and quantities subject to change / all prices are FOB FACTORY — Priced in U.S. Dollars
 20% minimum restocking charge applies on returns

HIGH TECH 1® FRONT ASSEMBLY

REV G ITEM #	PART#	QTY PER UNIT	DESCRIPTION	PRICE EACH
	18637		FRONT ASSY- HIGH TECH SGRY	
1	18850	2	CLOSURE ASSY- HIGH TECH	
2	18805	2	HASP- TRS/HT/HT2 FACING & DOOR	
3	18733	4	HINGE- SYN DOOR	
4*	13128	4	NUT- ¼-20 NYLOC	
5*	17436	4	RIVET- AVDEL SILVER	
6*	11024	24	RIVET- #610 AAP	
7*	18705	4	SCREW- ¼-20 X3/4 TRUSS STNLS	
8*	10804	1	SCREW- #8 X ¾ PHPN TAP	
9	18924	2	TUBE- 16GA X ½ SQ X 69	NOT SALEABLE
10*	11315	24	WASHER- 3/16 RIVET STNLS	
11*	12382	4	WASHER- ¼ FLAT STNLS	
		1	DOOR- SGRY	NOT SALEABLE
		1	FRAME RIGHT- MGRY	NOT SALEABLE
		1	FRAME LEFT- MGRY	NOT SALEABLE
15	18730	4	HINGE PIN- REPLACMNT SYN DOOR	
	18702	1	KIT- HT1 HASP	

* ONLY SOLD IN MULTIPLES OF 100

HIGH TECH 1® LOGO AREA

