

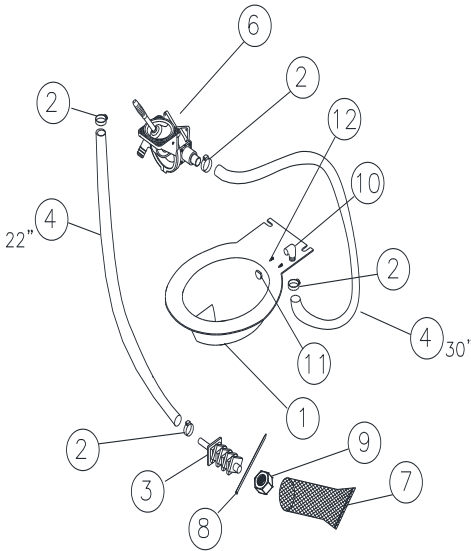
ASSEMBLY INSTRUCTIONS

RECIRCULATING HAND FLUSH KIT NO FLAPPER

INTRODUCTION

Portable restrooms and accessory kits must be assembled according to approved assembly procedures. Avoid variations in assembly procedures could adversely affect product life and warranty.

HARDWARE



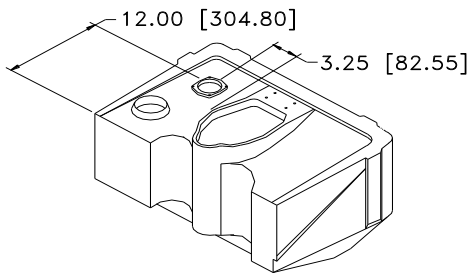
1 # 18473 BOWL ASSY, WESTERN NO FLAPPER

12	15537	2	SCREW, #4 X 3/8 FH STNLS
11	14403	1	NOZZLE, SINGLE SLOT FLUSH
10	10451	1	ELBOW, 90 3/4 FPT X 1 INS PVC
		1	BOWL, FLUSH
# 15643, RECIR H/FLUSH NO FLAP			
9	21697	1	NUT, 1-1/8-7 UNC STNLS
8	11261	1	TIE, WIRE 6in
7	16949	1	SCREEN, TURBO RECIRC FILTER
6	19173	1	PUMP, BILGE W/ ELBOW
5	15644	1	INSTR- RECIR H/FLUSH NO/FLAP (NOT SHOWN)
4	14384	52"	HOSE, #44 FLEX
3	15143	1	FILTER, RECIRCULATING FLUSH
2	12588	4	CLAMP, WORMDRIVE #12
1	18473	1	BOWL ASSY, WESTERN NO FLAPPER
ITEM	PART#	QTY	DESCRIPTION

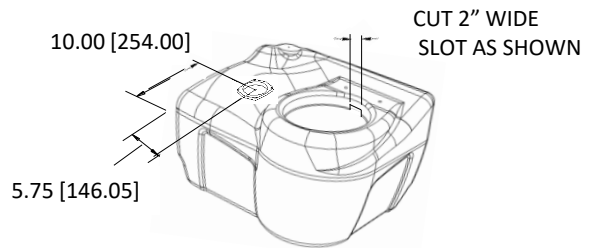
TOOLS

*Drill Elec/Cordless *5/16 Drill Bit *3-1/2 Hole saw *Flat blade Screwdriver *Utility Knife *Pencil *Phillips driver bit *Rivet gun *2" Hole Saw

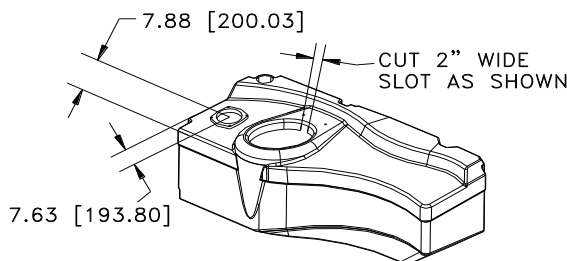
- 1. Drill Pump Mounting Holes:** Find the tank that you will be mounting the Hand Flush kit too. Measure to center as shown and mark with pencil. With 3-1/2 hole saw, drill through tank wall. Center top plate (this will be with PN 19173 pump) over 3-1/2 hole. Mark the (4) holes with pencil. Remove plate and drill (4) with 5/16 drill bit. On some tanks you may have to cut a slot in the opening for the hose and elbow clearance. Do that at this time as shown.



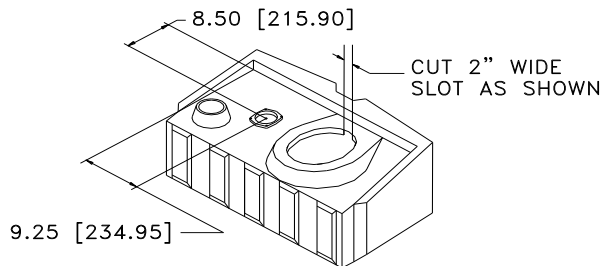
#14765 MX2 TANK



22608 TANK- FRE/LIB 35 GAL

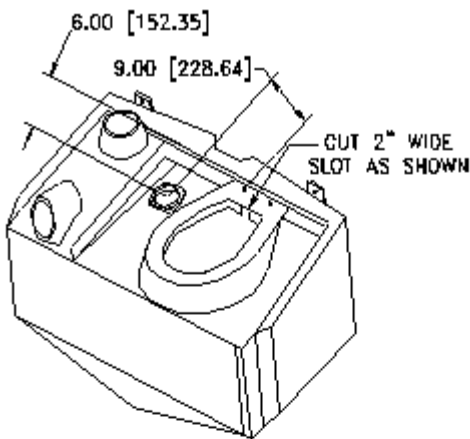


#16538 FREEDOM2 LARGE TANK

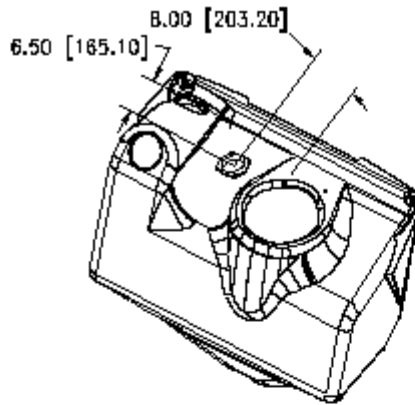


#10553 TUFWAY TANK

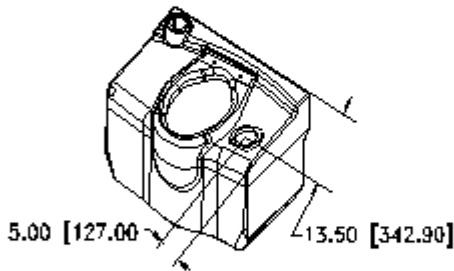
1. Drill Pump Mounting Holes: Find the tank that you will be mounting the Hand Flush kit too. Measure to center as shown and mark with pencil. With 3-1/2 hole saw, drill through tank wall. Center top plate (this will be with PN 19173 pump) over 3-1/2 hole. Mark the (4) holes with pencil. Remove plate and drill (4) with 5/16 drill bit. On some tanks you may have to cut a slot in the opening for the hose and elbow clearance. Do that at this time as shown.



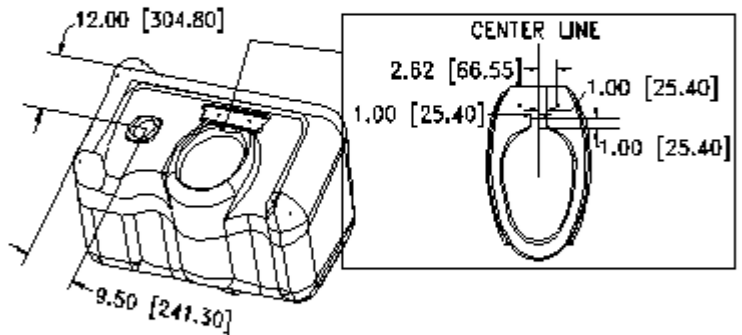
#18698 HIGH TECH TANK



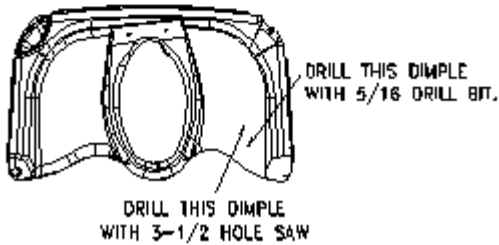
#18934 TAURUS TANK



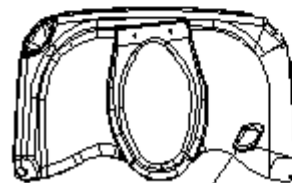
#20814 HIGH RISE TANK



#40017 GLOBAL TANK



DRILL THIS DIMPLE WITH 3-1/2 HOLE SAW

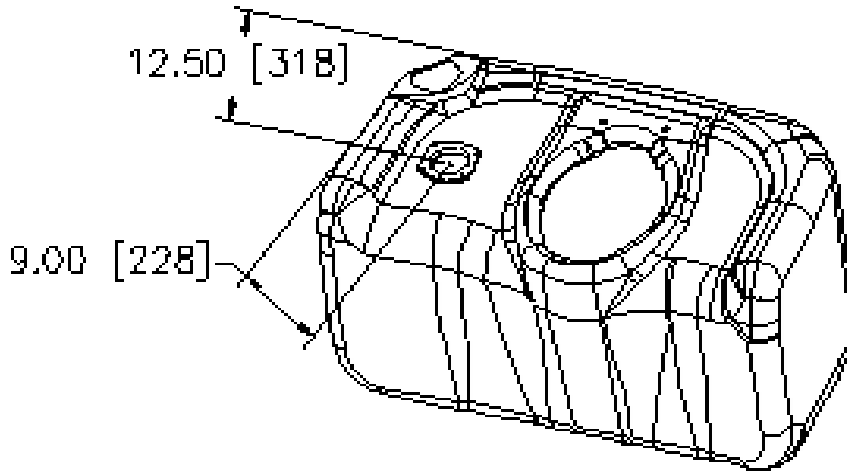


Place top plate as shown over hole.

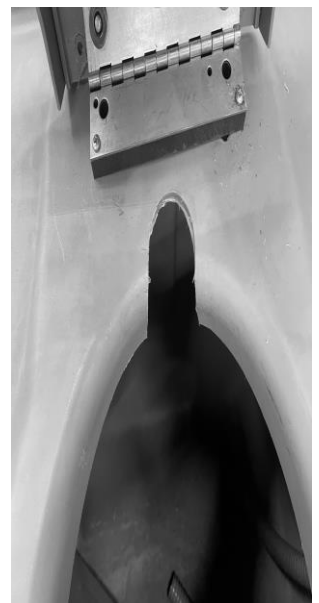
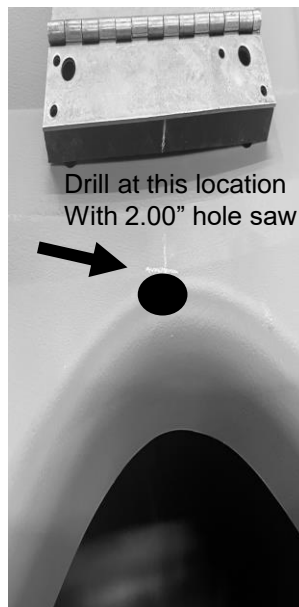
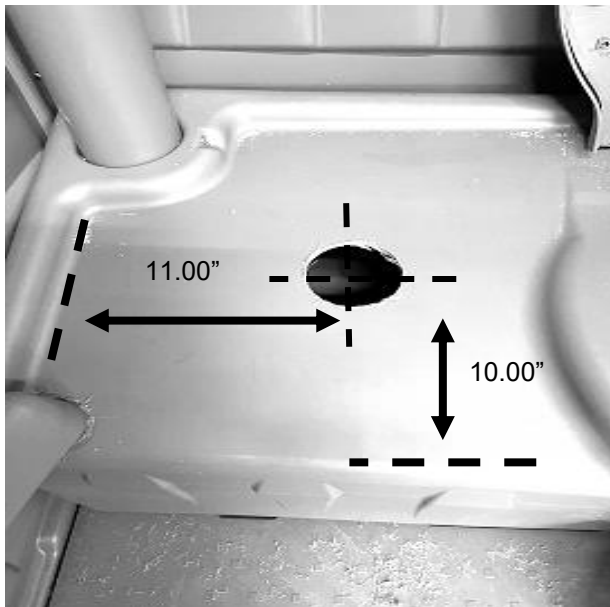
Use a pin to hold top plate in place.

#16690 MX3 TANK

- 1. Drill Pump Mounting Holes:** Find the tank that you will be mounting the Hand Flush kit too. Measure to center as shown and mark with pencil. With 3-1/2 hole saw, drill through tank wall. Center top plate (this will be with PN 19173 pump) over 3-1/2 hole. Mark the (4) holes with pencil. Remove plate and drill (4) with 5/16 drill bit. On some tanks you may have to cut a slot in the opening for the hose and elbow clearance. Do that at this time as shown.



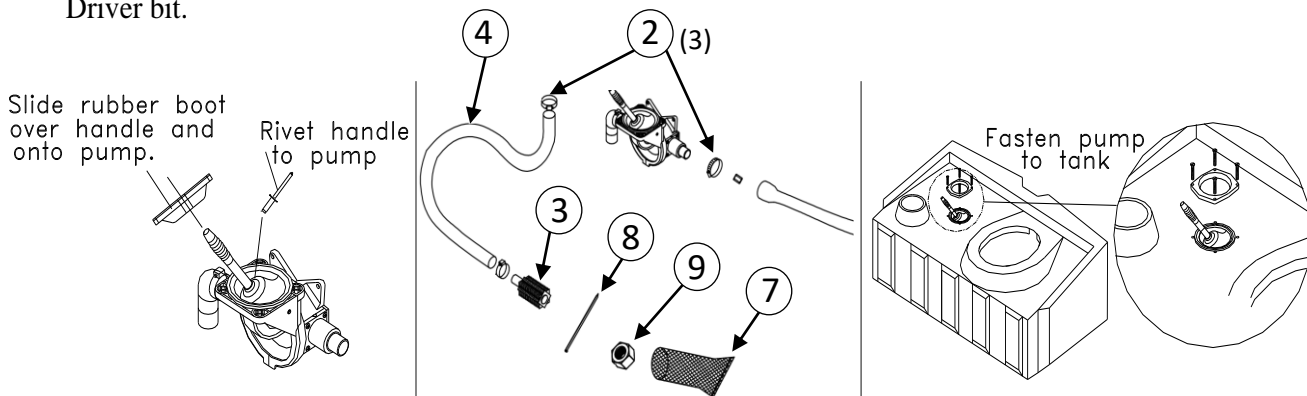
#22192 MX3 II TANK



#22918 AXXIS / ASPEN II BLOW MOLD TANK

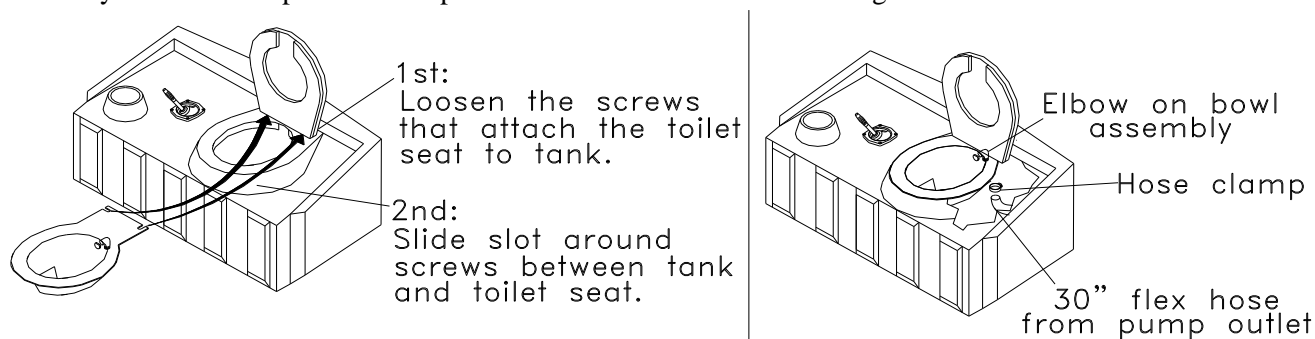
2. Pump Assy: Fasten Handle, Boot, Hoses, filter & Pump as Shown.

Slide handle into hole in top of pump #6 PN 19173 & rivet handle to pump (handle, rivet, & boot are included with pump PN 19173). Slide rubber boot over handle until it is seated on top of pump. Place clamp #2 PN 12588 on hose #4 PN 14384 [inlet hose 22"] Install hose PN 14384 inlet elbow of pump #6 PN 19173 & position clamp PN 12588 over elbow & tighten with screw driver. Place clamp PN 12588 opposite end of inlet hose & insert filter #3 PN 15143 in 22" hose & position clamp PN 12588 filter & tighten with screw driver. Place nut #9 PN 21697 in filter screen #7 PN 16949. Slide filter screen PN 16949 over filter PN 15143. Weave wire tie #8 PN 11261 through top of screen & tighten wire tie on bottom of inlet hose. Place clamp #2 PN 12588 on hose #4 PN 14384 [outlet hose 30"] Install hose PN 14384 outlet fitting of pump #6 PN 19173 & position clamp PN 12588 over fitting & tighten with screw driver. Insert pump with hoses attached from inside tank with handle & boot up through 3-1/2" hole drilled in step 1. Place top mount plate with holes in plate in line with holes drilled in top of tank. Insert screws (included with pump PN 19173) through pump mount plate into holes in top of tank into inserts in pump & tighten using Phillips Driver bit.



3. Fasten Bowl to tank as Shown.

Place clamp #2 PN 12588 on hose #4 PN 14384 [outlet hose 30"] Install hose PN 14384 on elbow on bowl Assy #1 PN 18473 position clamp PN 12588 over elbow on bowl & tighten with screw driver.



2530 Xenium Lane North, Minneapolis, MN 55441

Telephone: 763-553-1900 / Fax: 763-553-1905

800-328-3332/ www.satelliteindustries.com