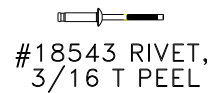
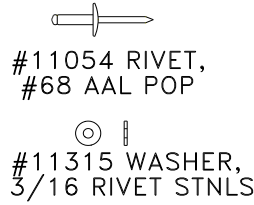
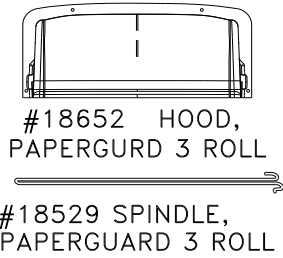


INSTRUCTIONS PAPERGUARD 3 ROLL INSTALLATION

INTRODUCTION: Satellite portable restrooms and accessories must be assembled according to approved assembly procedures. Variations in assembly could adversely affect product life and warranty.

HARDWARE:

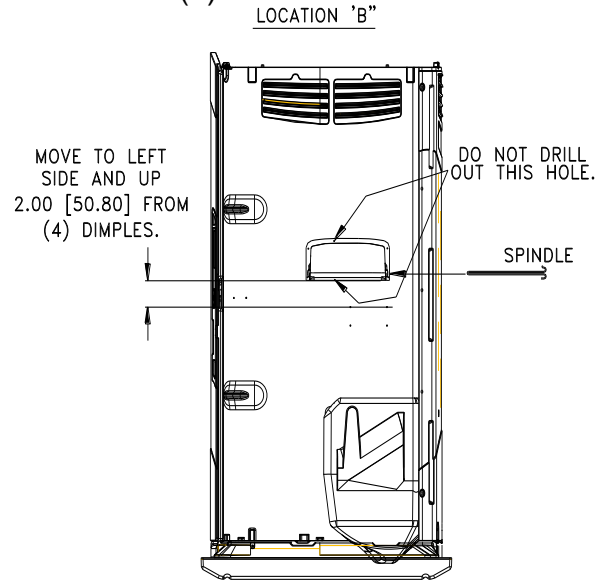
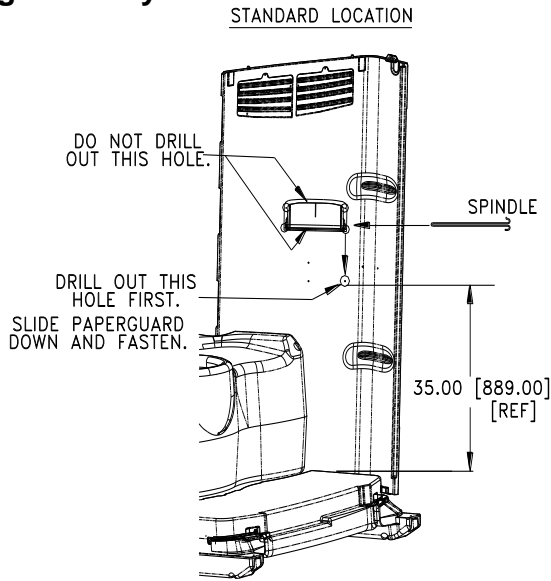


TOOLS: *Drill, *1/4 Drill Bit, *#10 Drill Bit *Rivet Gun, *Block Wood, *Hammer

***NOTE:** Check to see if Toilet has Handwash, Slimmate II, Swish or Fliptop tank. If so, use location B.

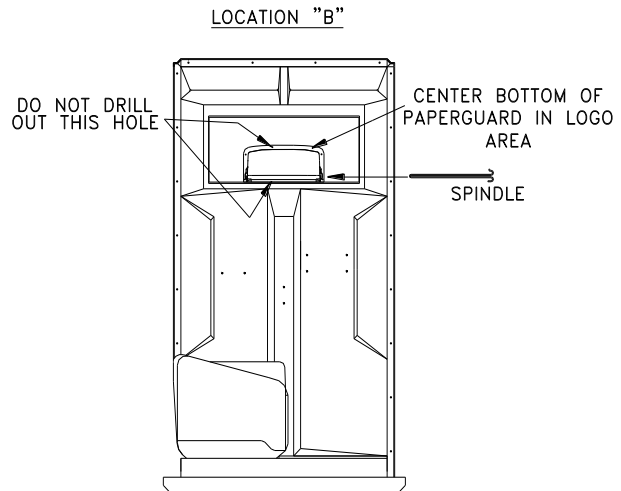
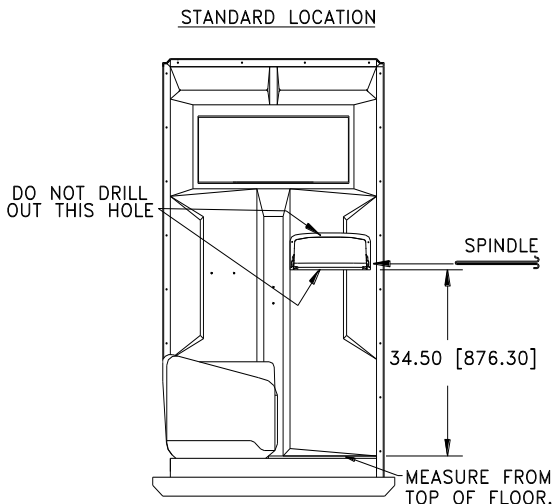
Maxim 3000®

1. Drill through first hole as shown and fasten with rivet. Hold and level paperguard and transfer drill through (3) holes in paperguard with a #10 (3/16") drill bit into panel wall. **Note: Be careful to drill through first layer ONLY.** Fasten with #18543 Peel Rivet (4).



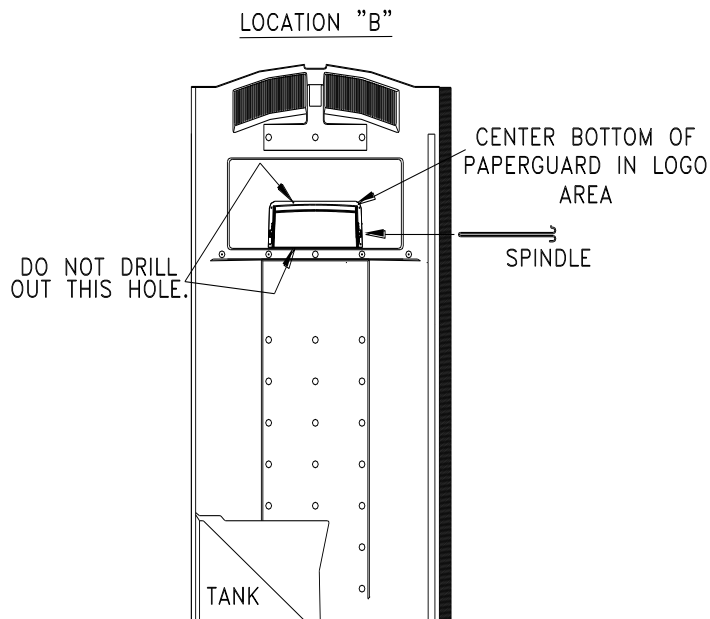
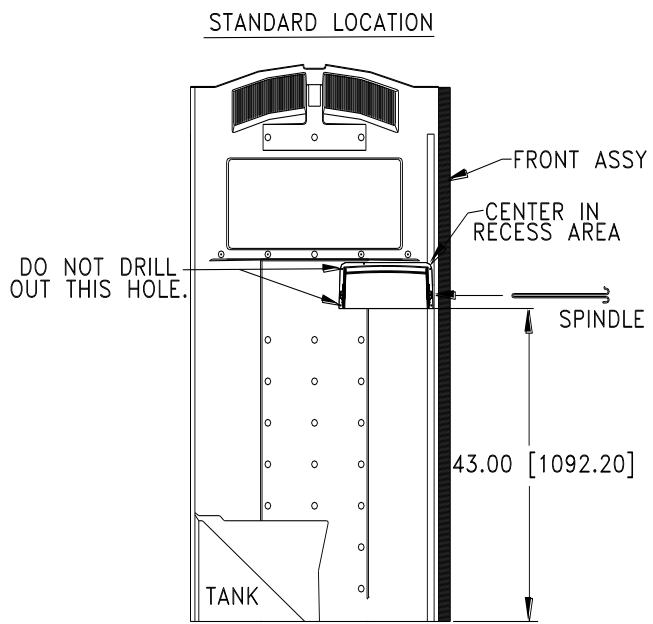
Tufway®

1. Hold and level paperguard in location shown below. Transfer drill through (4) holes in paperguard with a #10 (3/16") drill bit through panel wall.
2. Fasten with #10629 short rivet and #10047 push cap (push caps on the outside of the toilet) or #11054 Rivet and #11315 Washer (Rivets on the outside of the toilet).



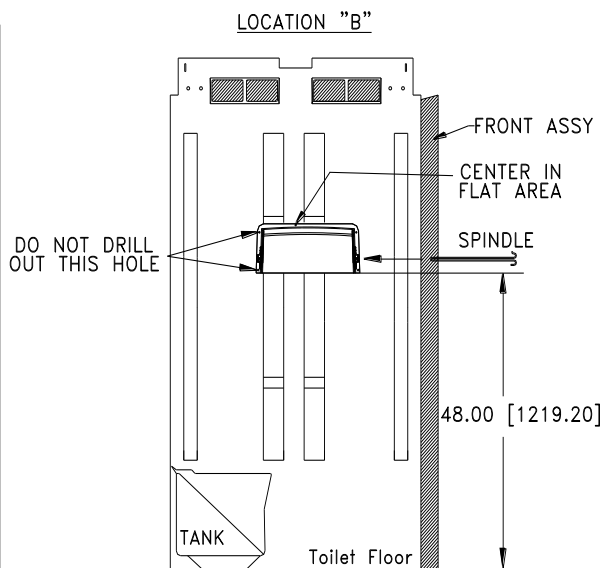
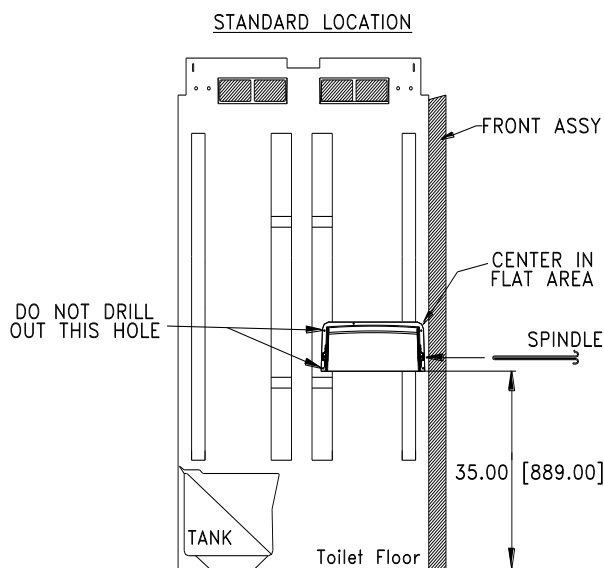
Taurus®

1. Hold and level paperguard in location shown below. Transfer drill through (4) holes in paperguard with a #10 (3/16") drill bit drill through panel wall.
2. Insert spindle as shown below.
3. Fasten with #11054 Rivet and #11315 Washer (Rivets on the outside of toilet).



High Tech 1®

1. Hold and level paperguard in location shown below. Transfer drill through (4) holes in paperguard and with a #10 (3/16") drill bit drill into panel wall. **NOTE: Be careful to drill through first layer ONLY.**
2. Insert spindle as shown below.
3. Fasten with #18543 Rivet Peel.

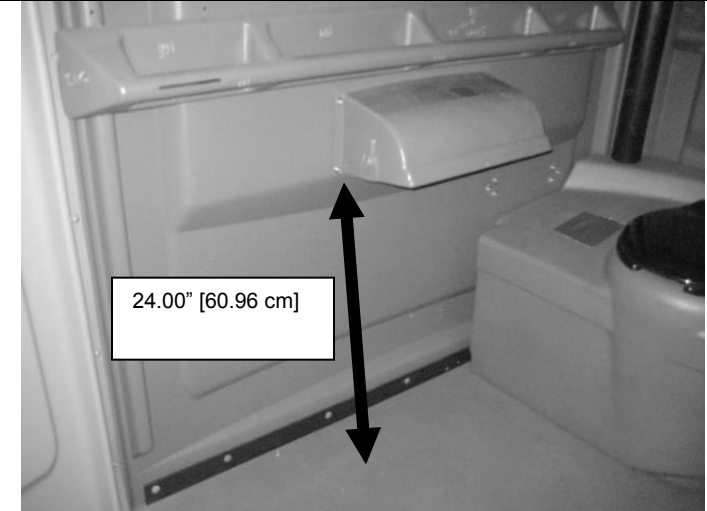
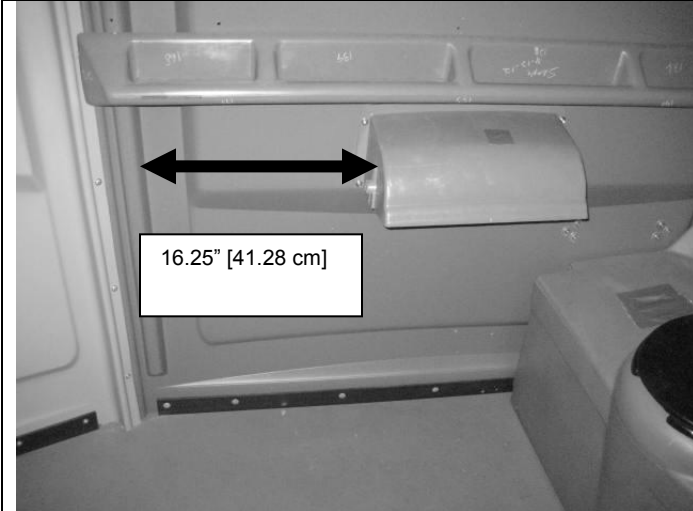


LIBERTY & FREEDOM3®

1. Hold and level paperguard at location shown below. Transfer drill through (4) holes (in four corners) in paperguard with a #10 (3/16") drill bit through panel wall.
2. Fasten with #11054 Rivet and #11315 Washer. (Rivets on the outside of the washers on the inside)
3. Insert spindle.

Place 3 roll paperguard below handrail on left panel of unit. Measure over from inside of rib on left panel as shown 16.25" [41.28 cm] to edge of 3 roll paperguard (not the flange on back with mount holes).

Measure from floor to bottom of paperguard (at back of paperguard) as shown 24.00" [60.96 cm]

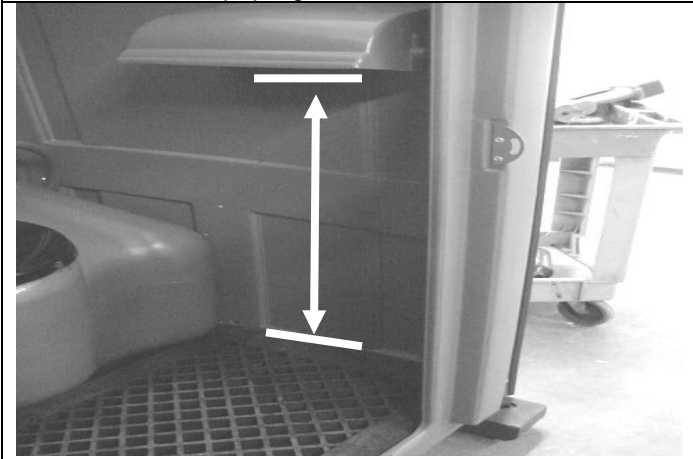


GLOBAL®

1. Hold and level paperguard at location shown below. Transfer drill through (4) holes (in four corners) in paperguard with a #10 (3/16") drill bit through panel wall.
2. Fasten with #11054 Rivet and #11315 Washer. (Rivets on the outside of the washers on the inside)
3. Insert spindle.

Place 3 roll paperguard on right side panel up 34.50" from floor to bottom of paperguard.

Place 3 roll paperguard on right side panel over 3.50" from inside of front to bottom corner of paperguard.



2530 Xenium Lane North, Minneapolis, MN 55441
Telephone: 763-553-1900 Fax: 763-553-1905
800-328-3332 / www.satelliteindustries.com