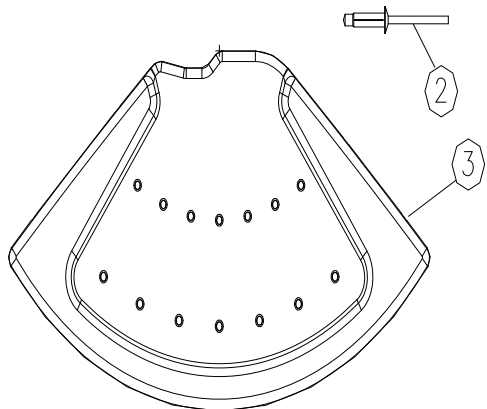


INSTRUCTIONS

MAXIM 3000® SHELF INSTALLATION

INTRODUCTION: Satellite portable restrooms and accessories must be assembled according to approved assembly procedures. Variations in assembly could adversely affect product life and warranty.

HARDWARE:



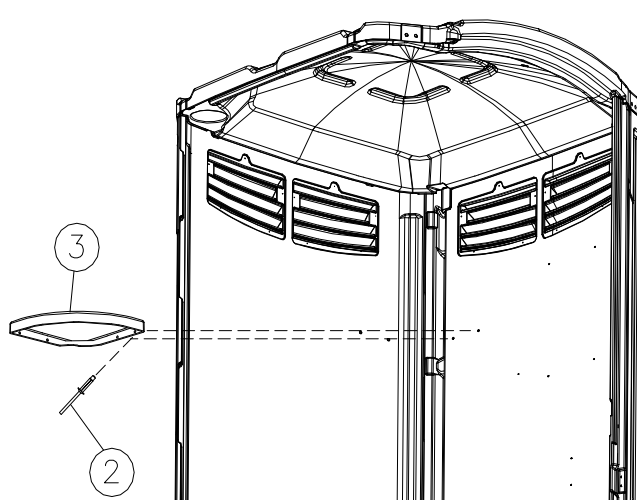
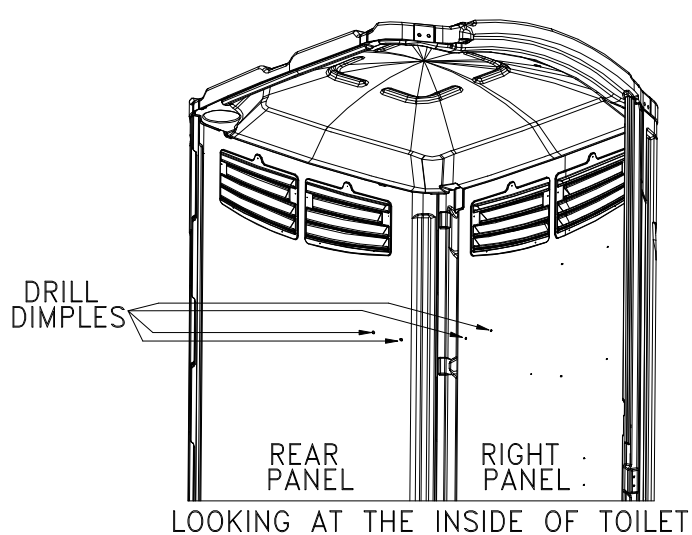
KIT, MX3 SHELF (#17377)

3	20845	1	SHELF, MX3 INJC
2	17436	4	RIVET, AVDEL SILVER
1	18533	1	INSTRUCTION, MX3 SHELF (NOT SHOWN)

TOOL:

- **DRILL ELEC/CORDLESS, #10 (0.194") DRILL BIT, RIVET GUN**

1. Drill (4) dimples as shown below with #10 (3/16) drill bit. (**BE CAREFUL TO ONLY DRILL THROUGH FIRST LAYER OF DOUBLE WALLED PANEL**)
2. Rivet shelf to panels with an expending rivet as shown.



SATELLITE INDUSTRIES, INC.

2530 Xenium Lane North, Minneapolis, MN 55441
Telephone: 763-553-1900 Fax: 763-553-1905
800-328-3332 / www.satelliteindustries.com