

# INSTRUCTIONS HAND FLUSH/FRESH FLUSH BOWL INSTALLATION

**INTRODUCTION:** Portable restrooms and accessory kits must be assembled according to approved assembly procedures. Avoid variations in assembly procedures could adversely affect product life and warranty.

## HARDWARE

⚠ #15029 PUMP ASSY, SWISH

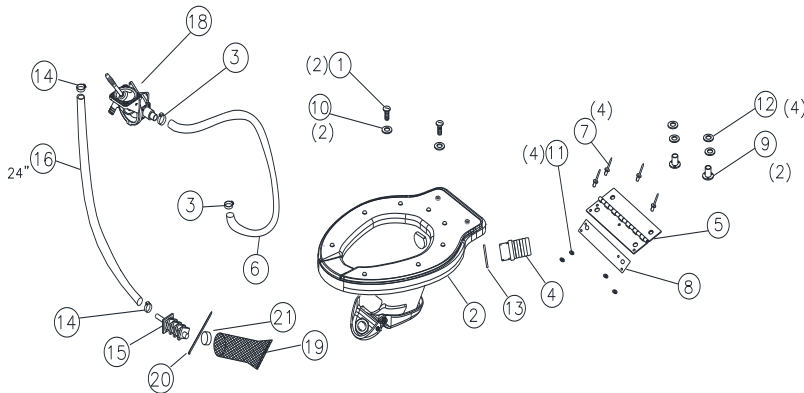
21	17331	1	WEIGHT, TURBO RECIRC FILTER
20	11261	1	TIE, WIRE 6in
19	16949	1	SCREEN, TURBO RECIRC FILTER
18	19173	1	PUMP, BILGE W/ELBOW
17	19196	1	KIT, T/SEAT 2-1/2 BOLT/NUT SET
(Not Shown)	14965	1	INSTRUCTION, SWISH FLUSHING
16	14384	24"	HOSE, #44 FLEX
15	15143	1	FILTER, RECIRCULATING FLUSH
14	12588	2	CLAMP, WORMDRIVE #12



#19196 KIT, T/SEAT: USE THESE TO REPLACE THE BOLTS SUPPLIED WITH TOILET SEAT

⚠ #20946 KIT, H/FLSH FF/BOWL PLST RECIR

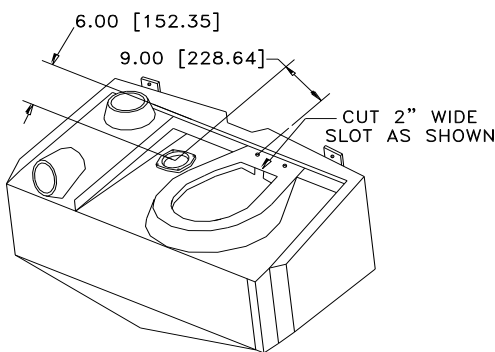
13	21085	1	WASHER, 1in FLAT STLNS
12	11368	4	WASHER, 5/16 FLAT STLNS
11	11315	4	WASHER, 3/16 RIVET STLNS
10	12382	2	WASHER, 1/4 FLAT STLNS
9	16884	2	T-NUT, 1/4-20 X 3/4 PLTD
8	19585	1	SPACER, STLNS BOWL
7	18798	4	RIVET, #616 AAL POP
15029	1	PUMP ASSY, SWISH	
(Not Shown)	20947	1	INSTRUCTION, H/FL FF/BL PLST
6	14384	22"	HOSE, #44 FLEX
5	17169	1	HINGE, FLUSH BOWL
4	21212	1	FITTING, 3/4 FPT X 1 INS PVC
3	12588	2	CLAMP, WORMDRIVE #12
2	21208	1	BOWL ASSY, FF H/FLSH
1	13216	2	BOLT, 1/4-20 X 3/4 SLOT PNHD



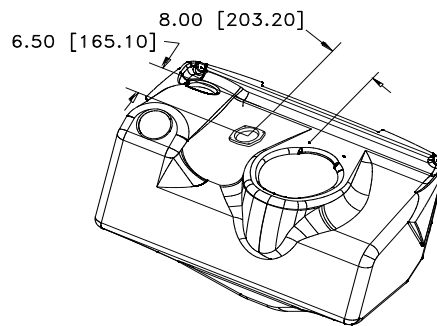
## TOOLS

- \*DRILL, \*5/16 DRILL BIT, \*3-1/2 HOLE SAW, \*FLAT BLADE SCREWDRIVER, \*UTILITY KNIFE,
- \*PENCIL, \*Jig Saw

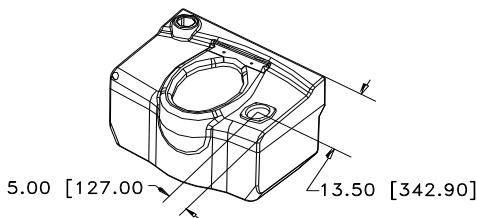
**1. Drill Pump Mounting Holes:** Find the tank that you will be mounting the Hand Flush kit too. Measure to center as shown and mark with pencil. With 3-1/2 hole saw, drill through tank wall. Center top plate (this will be with #19173 pump) over 3-1/2 hole. Mark the (4) holes with pencil. Remove plate and drill (4) with 5/16 drill bit. On some tanks you may have to cut a slot in the opening for the hose and elbow clearance. Do that at this time as shown.



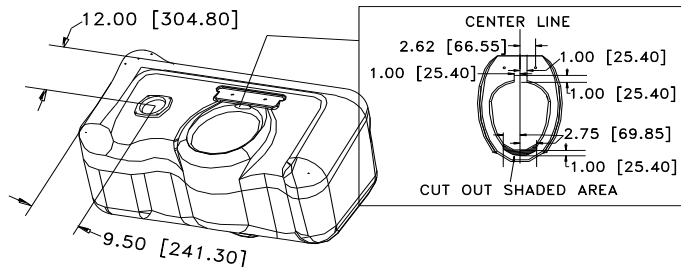
#18698 HIGH TECH TANK



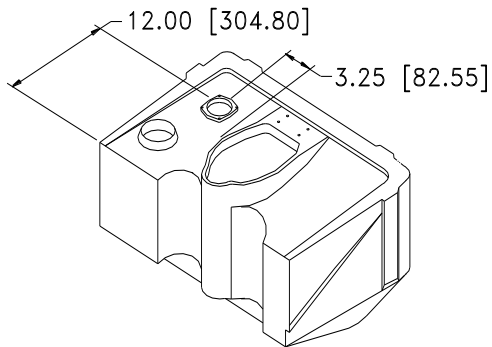
#18934 TAURUS TANK



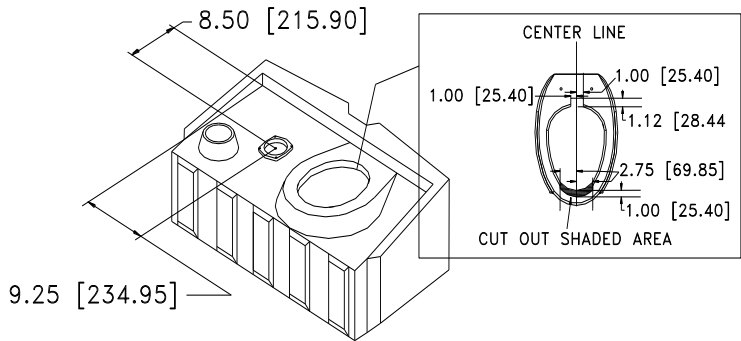
#20814 HIGH RISE TANK



#40017 GLOBAL TANK



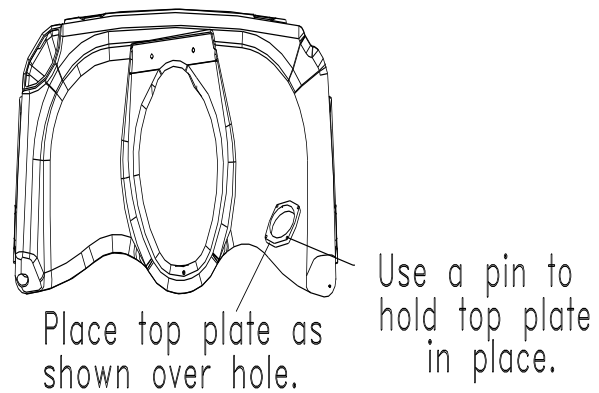
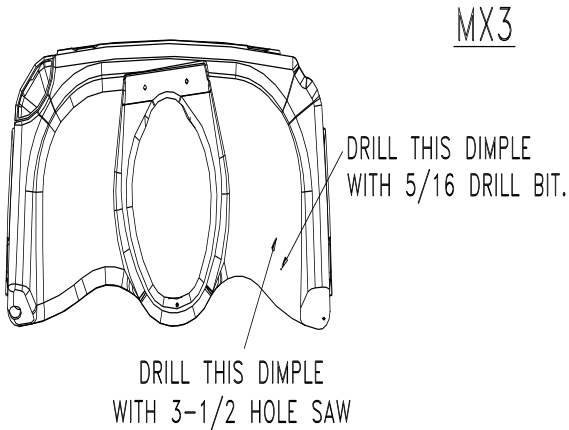
#14765 MX2 TANK



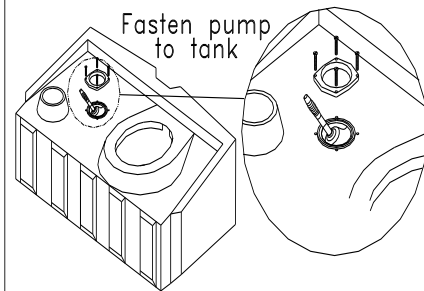
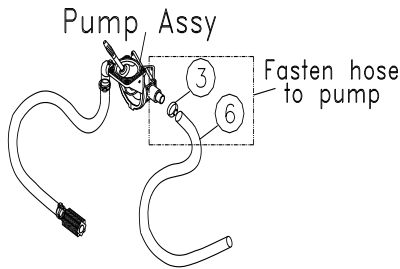
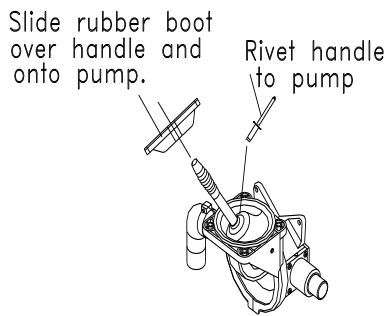
#10553 TUFWAY TANK

**2. Drill Pump Mounting Hole:**

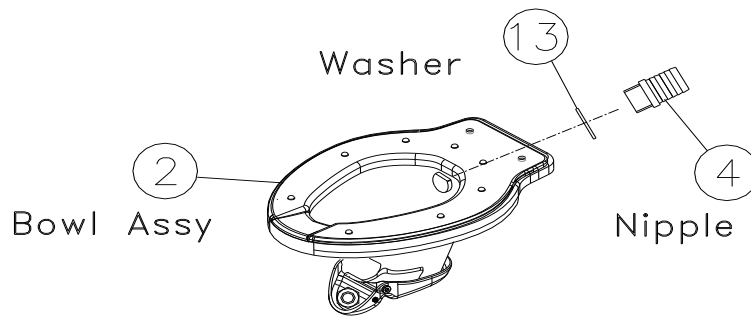
- \* Drill out 3-1/2 hole saw and 5/16 hole at location shown. Use top plate from #15029 pump assy box.
- \* Mark and drill the (3) remaining mounting holes using 5/16" drill bit.



**3. Fasten Handle, Boot, Hose and Pump as Shown. NOTE:** The pump assy on the MX3 need to be turn so that the filter end is facing the tank side wall and **NOT** the toilet seat opening before mounting to tank.  
**NOTE:** If installing in a MX3/High Rise toilet see Addendum (last page) to install elbow and clamp.

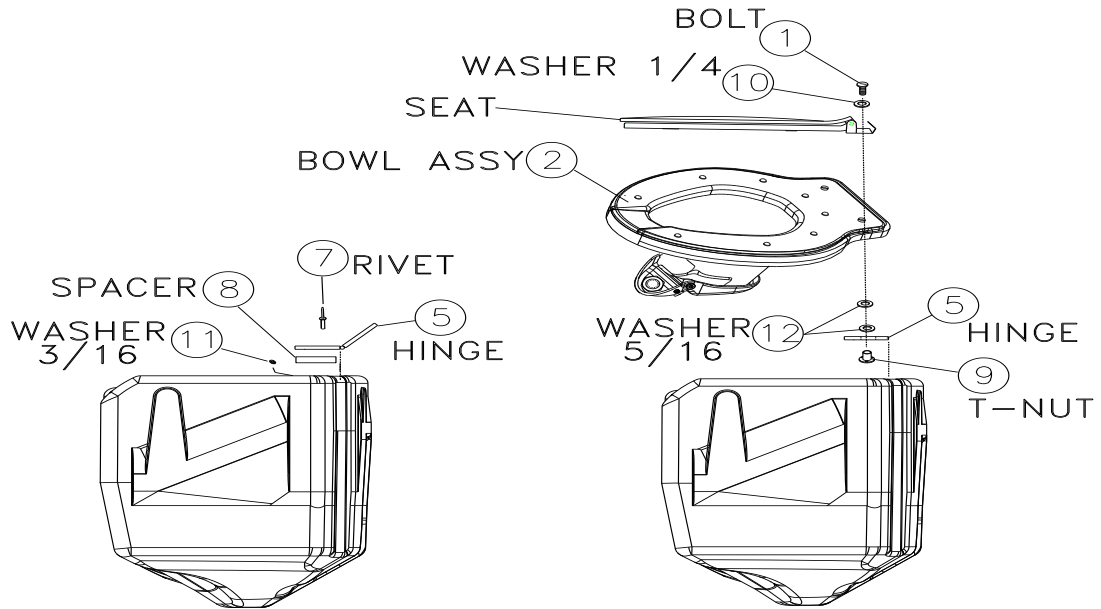


**4. Fasten Nipple and Washer to Bowl Assy as Shown. Place washer between nipple and nozzle. Thread nipple on bowl assy nozzle.**



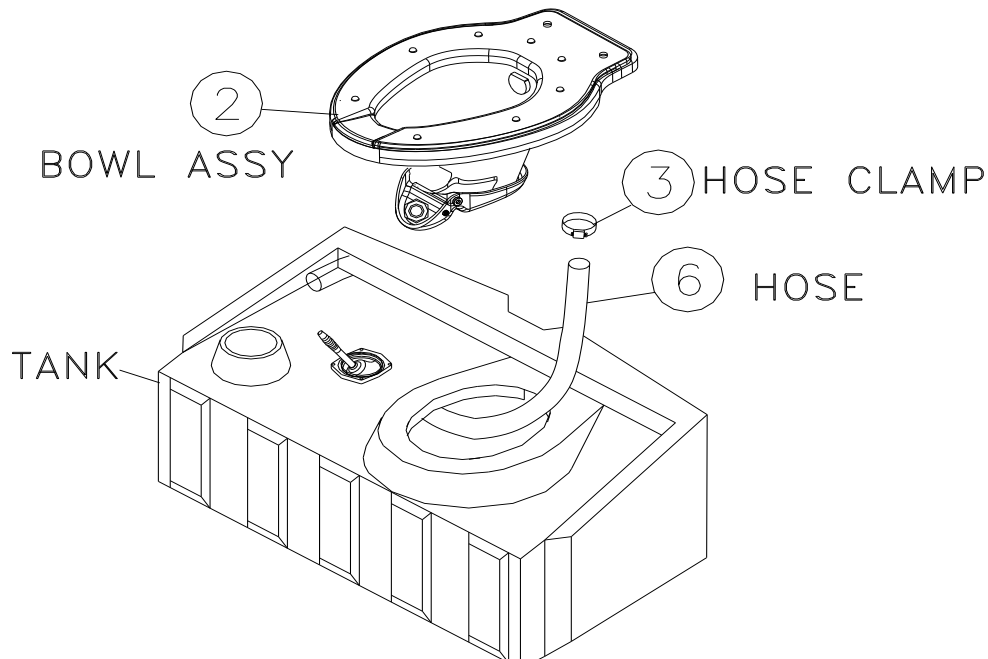
**15. Install Bowl to Tank:**

- \* Fasten hinge to tank as shown in first picture. Fasten all (4) holes. Use toilet seat bolts to position spacer and hinge. Transfer drill through hinge, spacer and tank.
- \* Fasten bowl and toilet to hinge as shown in second picture. Fasten both toilet seat holes to tank.



## 6. Attach Pump Outlet Hose to Bowl Assembly:

\* Tip bowl up to attach the hose with a hose clamp to bowl assembly fitting. **Note:** Tufway and Global tanks cut 6" length from end of hose to be installed on bowl fitting.



2530 Xenium Lane North, Minneapolis, MN 55441  
Telephone: 763-553-1900 / Fax: 763-553-1905  
800-328-3332/ [www.satelliteindustries.com](http://www.satelliteindustries.com)

### ADDENDUM MX3/HIGH RISE FRESH FLUSH BOWL/HAND FLUSH ADD ELBOW TO OUTLET HOSE

TOOLS: ●5/16" nut driver or flat blade screw driver.

PARTS: ●PN 14958 Elbow- 90 1" pump SLP x bore ●PN 17498 Clamp- #30 high torque

Loosen clamp & remove outlet hose from pump.



Place elbow PN 14958 in outlet hose & tighten clamp.



Place elbow on outlet of pump as shown with hose facing

towards top of tank, elbow should be about 60° angle to horizontal. Tighten clamp. There should be no hose interference with bowl flapper.

