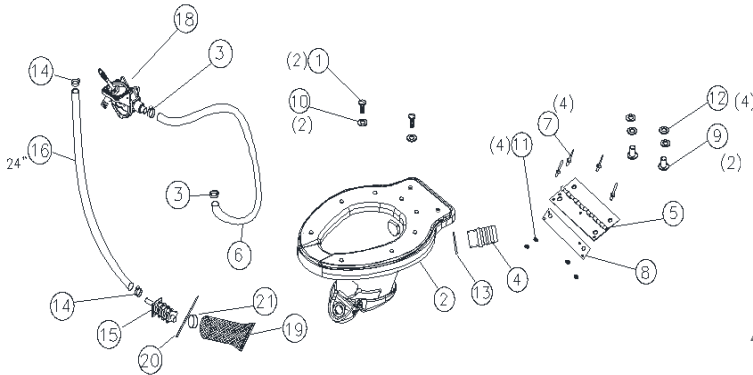


INSTRUCTIONS RECIRULATING HAND FLUSH BOWL WITH FLAPPER

INTRODUCTION: Portable restrooms and accessory kits must be assembled according to approved assembly procedures. Variations in assembly procedures could adversely affect product life & warranty.

HARDWARE



#19196 KIT, T/SEAT: USE THESE TO REPLACE THE BOLTS SUPPLIED WITH TOILET SEAT

1 15029 PUMP ASSY, SWISH

21	21697	1	NUT- 1-1/8-7 UNC STNLS
20	11261	1	TIE, WIRE 6in
19	16949	1	SCREEN, TURBO RECIRC FILTER
18	19173	1	PUMP, BILGE W/ELBOW
17	19196	1	KIT, T/SEAT 2-1/2 BOLT/NUT SET
16	14384	24"	HOSE, #44 FLEX
15	15143	1	FILTER, RECIRCULATING FLUSH
14	12588	2	CLAMP, WORMDRIVE #12

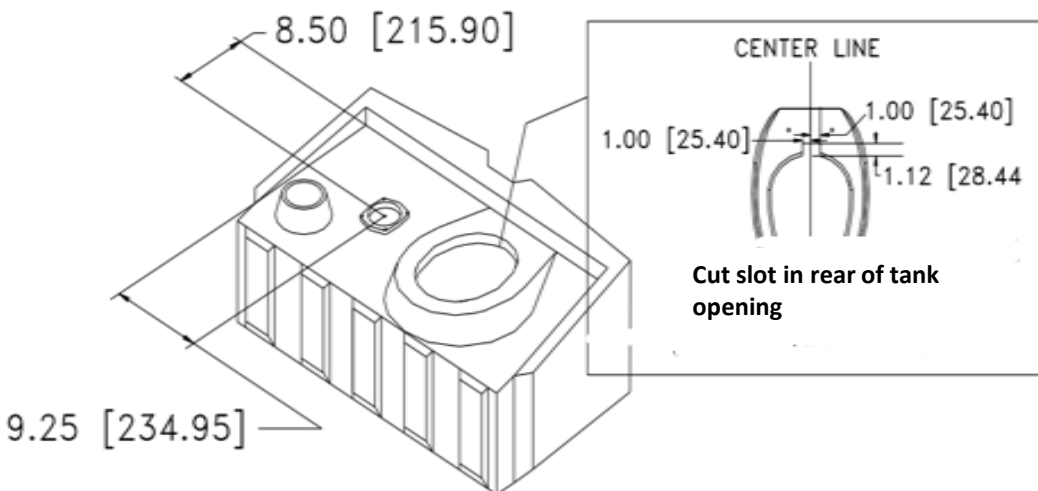
20946 KIT- RECIR H/FLSH W/FLAPPER

13	21085	1	WASHER, 1in FLAT STNLS
12	11368	4	WASHER, 5/16 FLAT STNLS
11	11315	4	WASHER, 3/16 RIVET STNLS
10	12382	2	WASHER, 1/4 FLAT STNLS
9	16884	2	T-NUT, 1/4-20 X 3/4 PLTD
8	19585	1	SPACER, STNLS BOWL
7	18798	4	RIVET, #616 AAL POP
1	15029	1	PUMP ASSY, SWISH
(Not Shown)	20947	1	INSTR- RECIR H/FLSH W/FLAP
6	14384	22"	HOSE, #44 FLEX
5	17169	1	HINGE, FLUSH BOWL
4	21212	1	FITTING, 3/4 FPT X 1 INS PVC
3	12588	2	CLAMP, WORMDRIVE #12
2	21208	1	BOWL ASSY, FF H/FLSH
1	13216	2	BOLT, 1/4-20 X 3/4 SLOT PNHD

TOOLS: *DRILL *5/16" DRILL BIT, *3-1/2" HOLE SAW *MARKER *FLAT BLADE SCREWDRIVER *UTILITY KNIFE *JIGSAW *PHILLIPS DRIVER BIT *ADJUSTABLE PLIERS *2" HOLE SAW

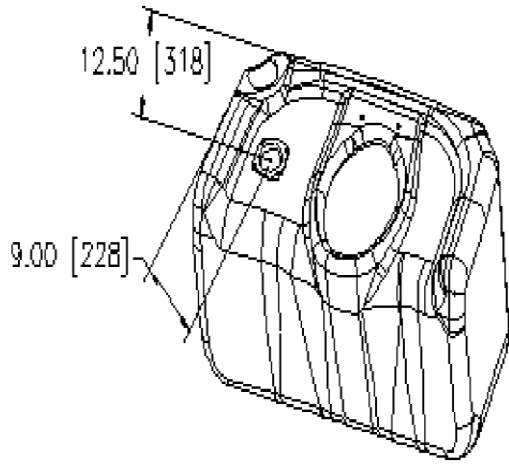
1. Drill Pump Mounting Holes / Cutting slot in rear of tank opening if needed:

On tank that you will be mounting the Hand Flush kit to. Measure to center on top of tank as shown & mark. Drill at mark using 3-1/2 hole saw through tank wall. Center top mount plate (this will be with #19173 pump) over 3-1/2 hole. Mark at (4) holes in plate. Remove plate and drill (4) with 5/16 drill bit. Cut a slot in tank opening, as some tanks need for the hose and elbow clearance. Do that at this time as shown.

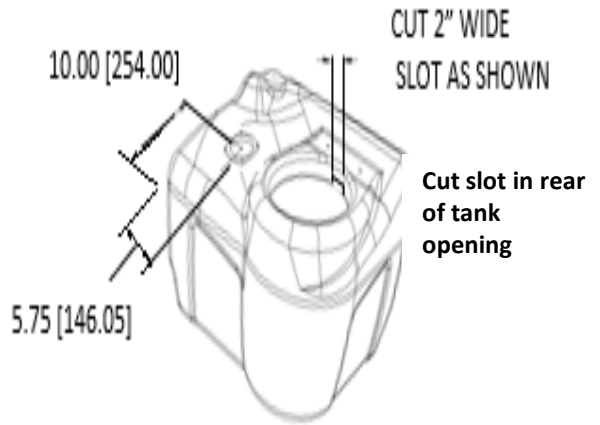


#10553 TUFWAY TANK / GLOBAL II TANK

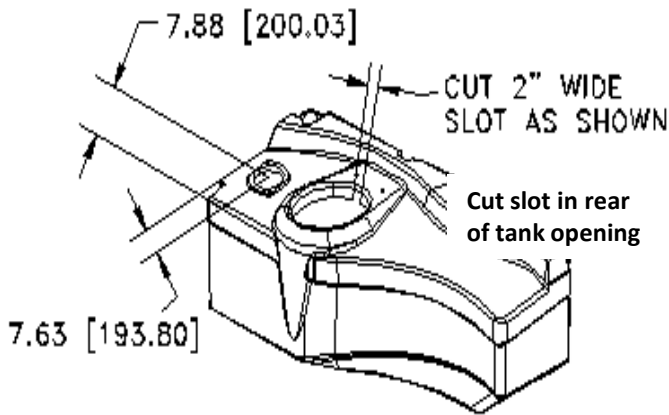
1. Drill Pump Mounting Holes / Cutting slot in rear of tank opening if needed (Cont.) :



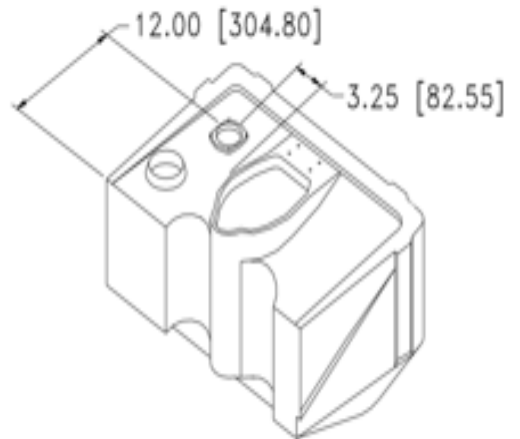
#22192 MX3 II TANK



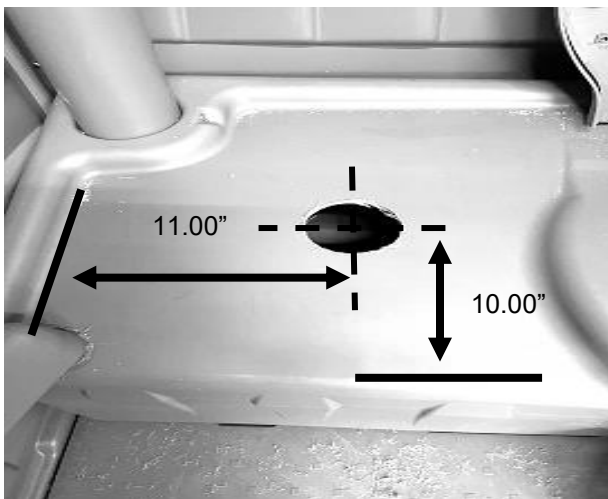
22608 TANK- FRE/LIB 35 GAL



#16538 FREEDOM2 LARGE TANK



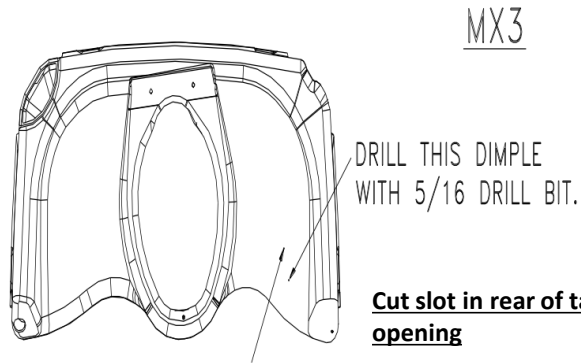
#14765 MX2 TANK



#22918 AXXIS / ASPEN II BLOW MOLD TANK



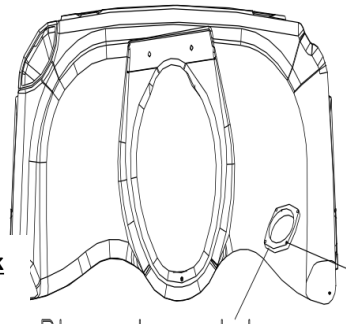
1. Drill Pump Mounting Holes / Cutting slot in rear of tank opening if needed:



DRILL THIS DIMPLE WITH 3-1/2 HOLE SAW

Cut slot in rear of tank opening

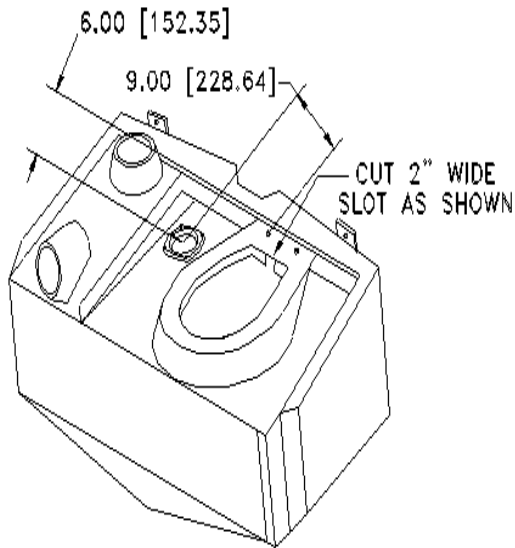
MX3



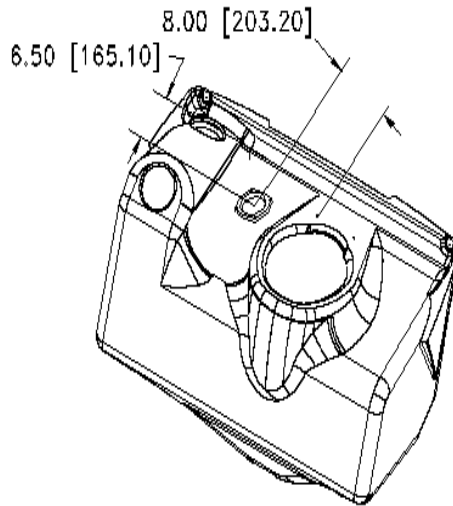
Cut slot in rear of tank opening

Place top plate as shown over hole.

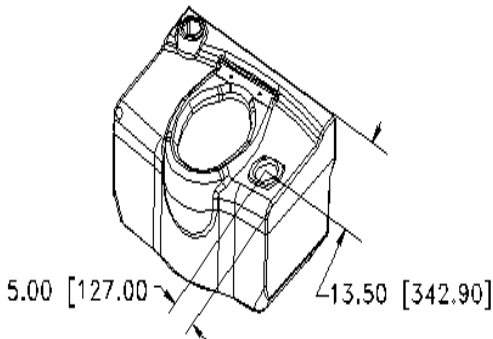
Use a pin to hold top plate in place.



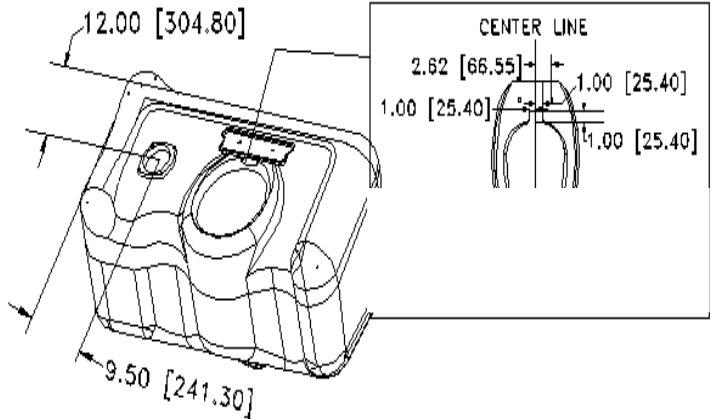
#18698 HIGH TECH TANK



#18934 TAURUS TANK



#20814 HIGH RISE TANK



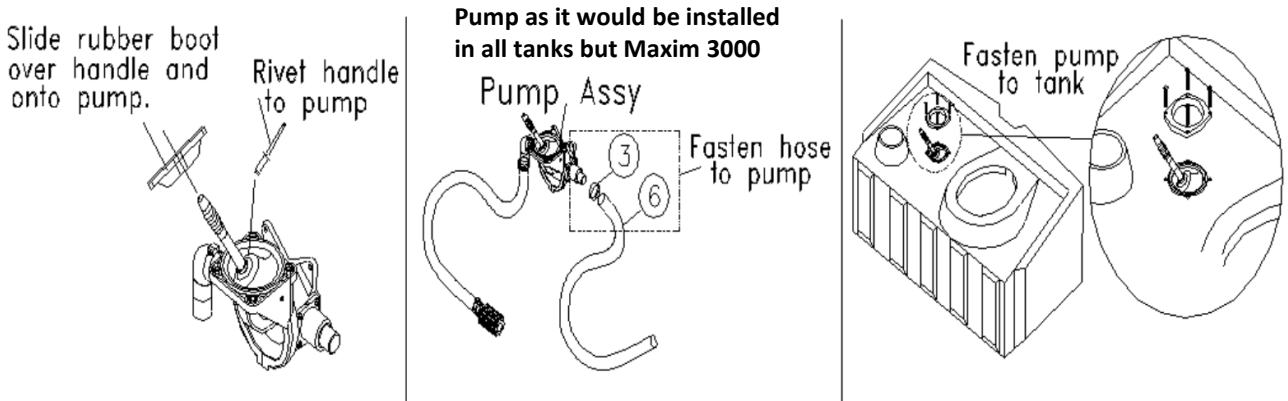
#40017 GLOBAL TANK

2. Fasten Handle, Boot, Hose, to Pump & install pump assembly in tank:

Pump assembly installed inside of tank with inlet of pump (elbow) with hose & filter assembly is facing the left wall of tank. Pull rubber boot up through 3-1/2" hole, place top mount plate on top of tank with holes aligned with (4) 5/16" hole in tank. Start screws through mount plate into inserts in pump by hand. Tighten screws using Phillips driver bit.

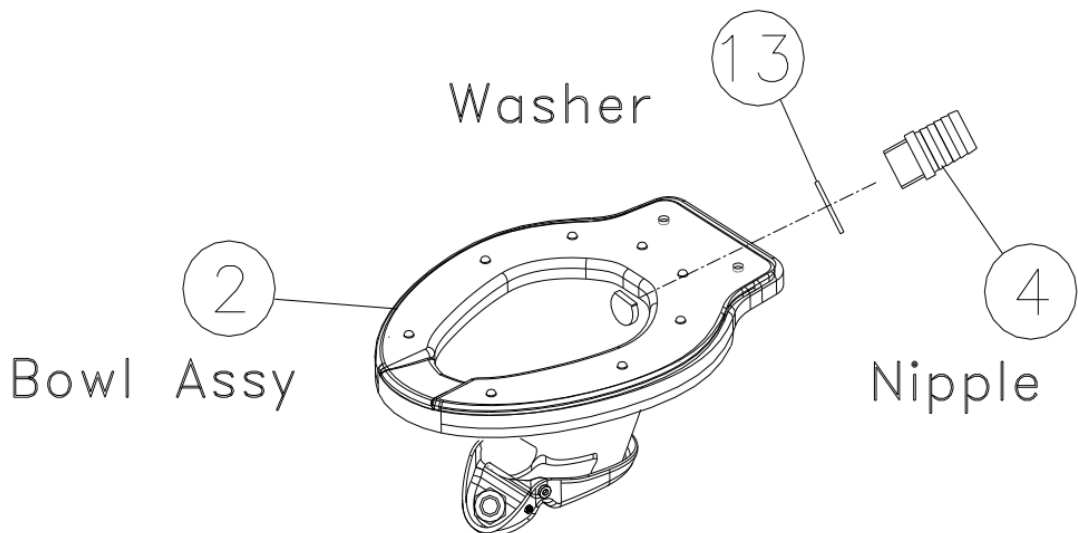
NOTE for the MX3 unit "ONLY": Pump assembly installed inside of tank with inlet of pump (elbow) with hose & filter assembly is facing the right wall of tank. Only tank Pump is mounted on top right side of tank.

NOTE: If installing in a MX3/High Rise toilet see Addendum (last page) to install elbow and clamp on outlet of pump.



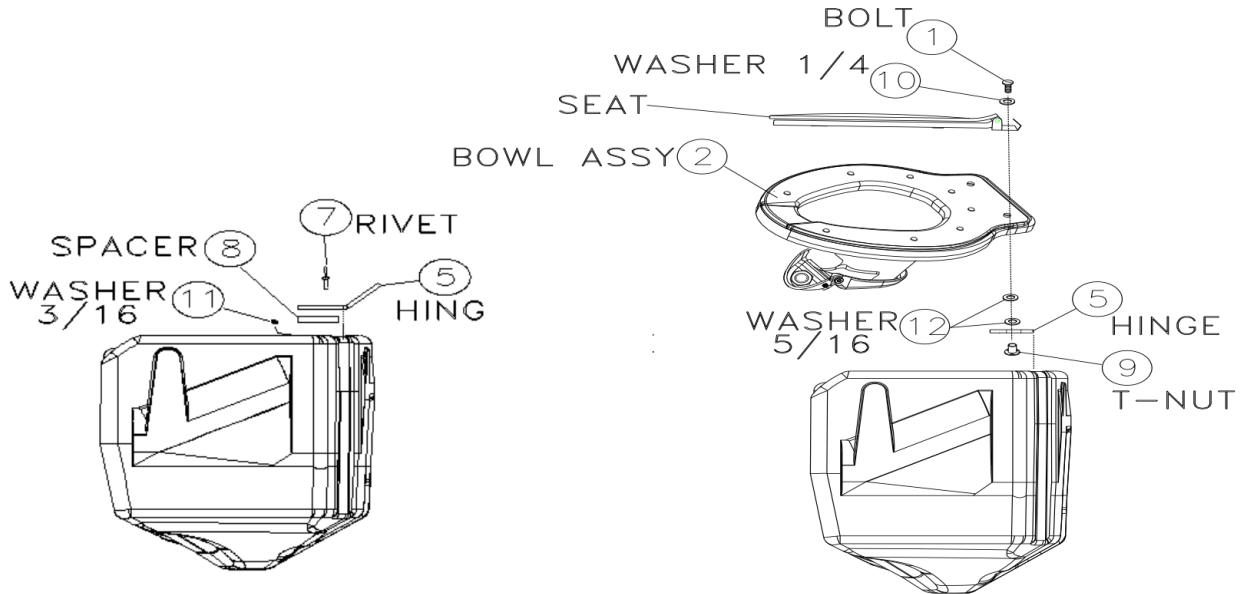
3. Fasten Nipple and Washer to Bowl assembly:

Place washer between nipple and nozzle. Thread nipple on bowl assembly nozzle at rear of bowl. (see below) & tighten using adjustable pliers.



5. Install Bowl on Tank:

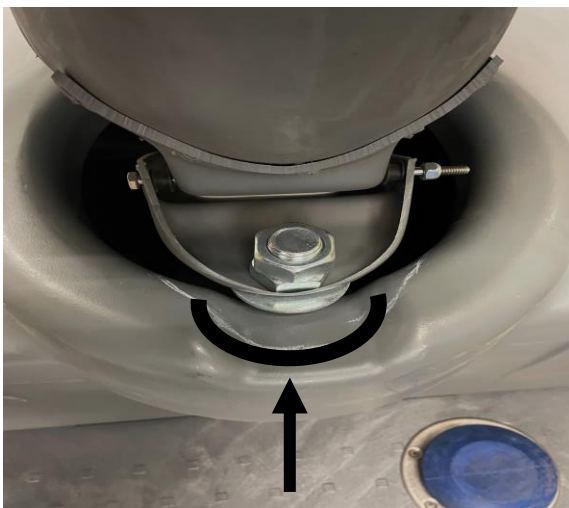
- Fasten hinge to tank as shown in first picture. Fasten all (4) holes. Use toilet seat bolts to position spacer and hinge. Transfer drill through hinge, spacer and tank.
- Fasten bowl and toilet to hinge as shown in second picture fasten both toilet seat holes to tank.



6. Cut out flapper clearance in front of tank opening for the following tanks:

#10553 Tufway / Global II, #22608 Fre lib 35 gal, #16538 Freedom2 large tank, #22918 Axxis 60 gal Blow Mold tank (also used in Aspen II unit), # 40017 Global tank

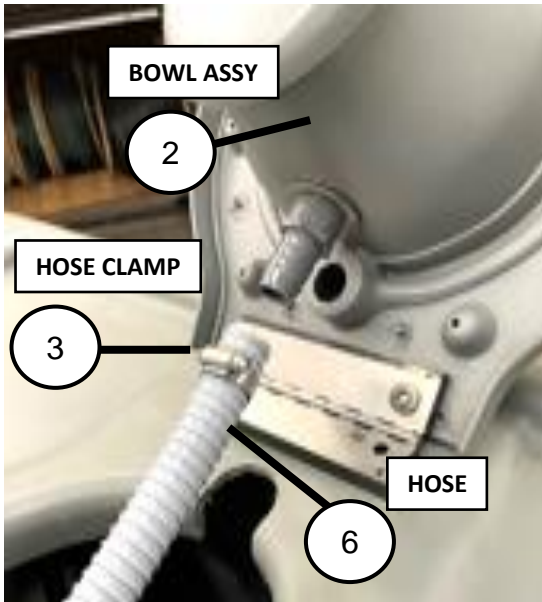
- With bowl installed in tank & bowl lifted up & out from tank opening, the flapper needs to be resting on front edge of tank seat opening. This is the area in front of tank opening to be cut out for flapper clearance. Trace around flapper with marker & cut at mark with jig saw.



7. Attach Pump Outlet Hose to Bowl assembly:

- Tip bowl up.
- Using a hose clamp, attach the hose to the bowl assembly fitting.

NOTE: Tufway and Global tanks cut 6" length from the hose.



2530 Xenium Lane North, Minneapolis, MN 55441

Telephone: 763-553-1900 / Fax: 763-553-1905

800-328-3332/ www.satelliteindustries.com

ADDENDUM MX3/HIGH RISE FRESH FLUSH BOWL/HAND FLUSH "ONLY"

ADD ELBOW TO OUTLET HOSE & PUMP OUTLET IF REQUESTED

Loosen clamp & remove outlet hose from pump.



Place elbow PN 14958 in outlet hose & tighten clamp.



Place elbow on outlet of pump as shown with hose facing towards top of tank, elbow should be about 60° angle to horizontal. Tighten clamp PN 12588. There should be no hose interference with bowl flapper.

