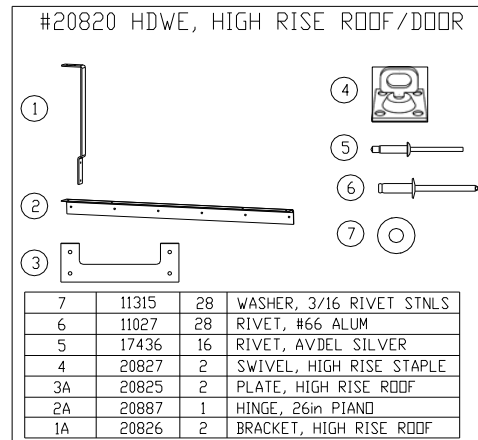
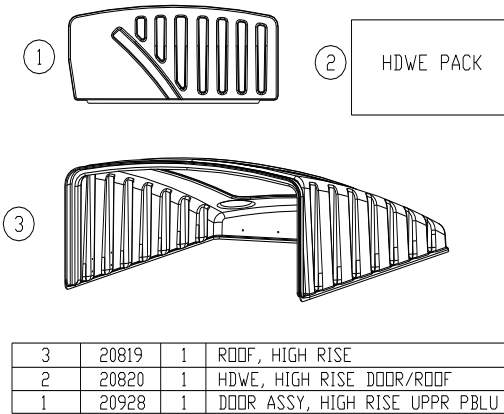


INSTRUCTIONS HIGH RISE UPPER DOOR / ROOF INSTALLATION

INTRODUCTION

Satellite portable restrooms and accessories must be assembled according to approved assembly procedures. Variations in assembly could adversely affect product life and warranty.

HARDWARE:



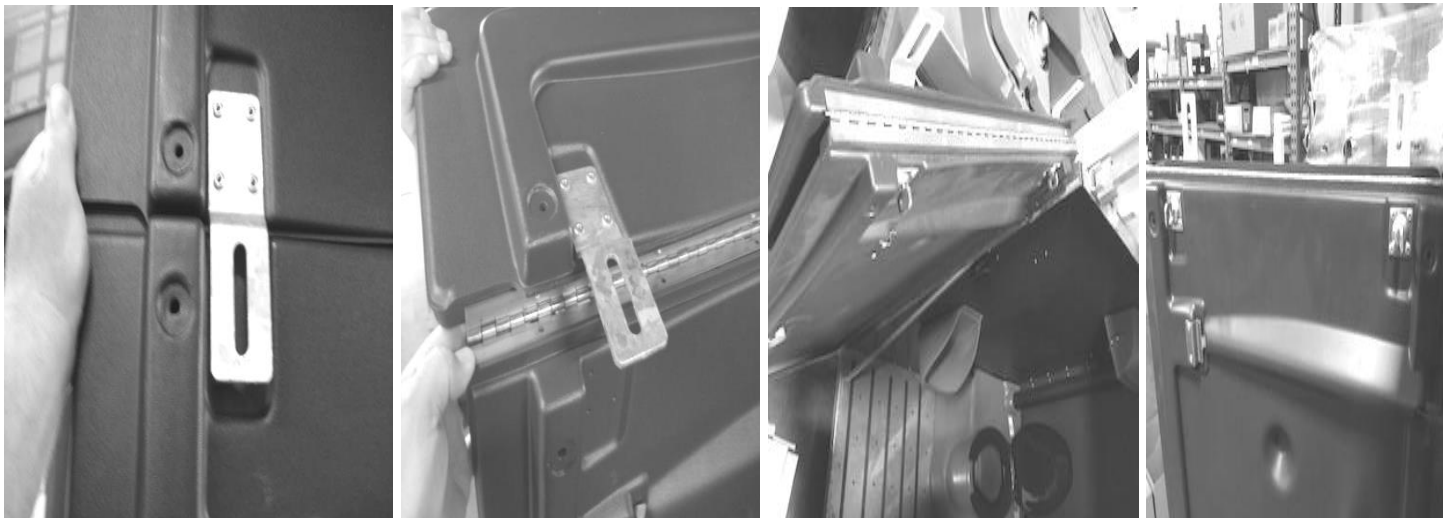
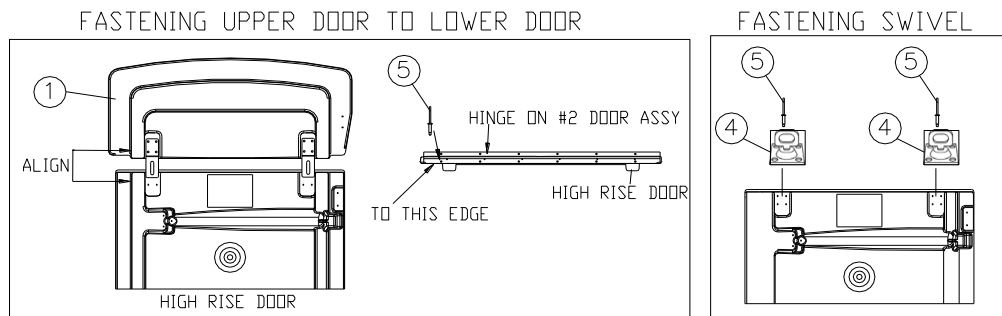
TOOLS: *DRILL ELEC/CORDLESS, * #10 (3/16") DRILL BIT, *RIVET GUN

1. Fasten Upper Door Assy to Lower Door:

Align parts as shown. With hinge up against lip on lower door, align columns of upper door and lower door. Rivet Upper Door Assy to Lower Door using Rivet #17436. Transfer drill through end hole in hinge using a #10 (3/16") drill bit. Fasten with rivet gun. Repeat on remaining holes in hinge.

2. Fasten Swivels:

Drill out dimples (4) in recessed area in door. **BE CAREFUL TO DRILL THROUGH FIRST LAYER ONLY.** Fasten swivel to door using Rivet #17436. Repeat on other swivel.



3. Fasten # 20887 Hinge: See fig A.

Using Rivets #11027 and #11315 Washers rivet hinge to back angle in pre-drilled holes. Rivets through hinge and into angle with a backup Washer. Set rivets with rivet gun.

4. Fasten #20825 Plates: See fig B.

Using Rivets #11027 rivet # 20825 Plate to inside Roof use pre-drilled holes in Roof. Rivets through Plate and into Roof with a backup Washer on the outside of Roof. Set rivets with rivet gun. Repeat on other side.

5. Fasten Roof to Hinge: See fig C.

Using Rivets #11027 and #11315 Washers rivet Hinge to Roof in pre-drilled holes. Rivets through Roof and into Hinge with a backup Washer. Set rivets with rivet gun.

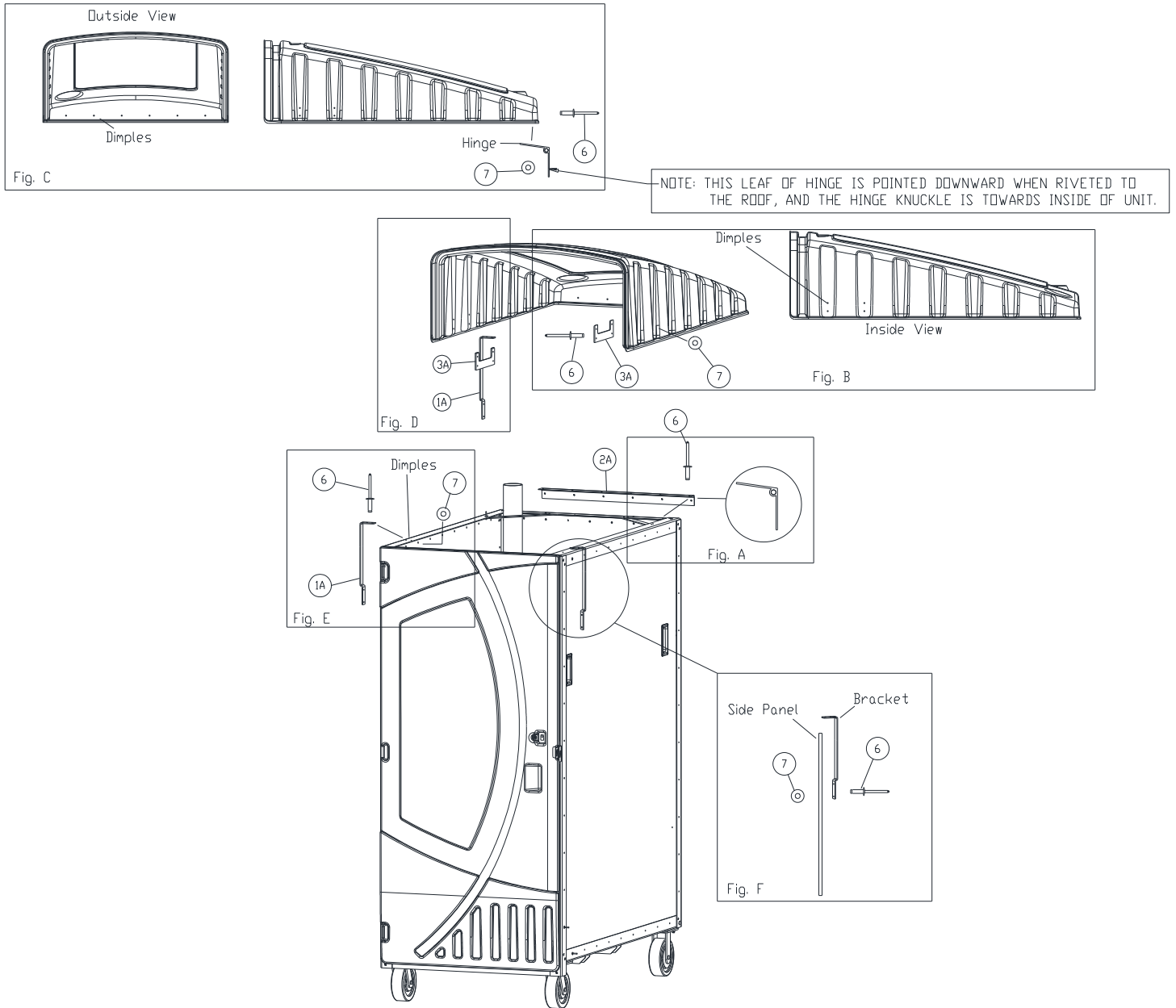
6. Slide #20826 Brackets Through #20825 Plates. See Fig. D

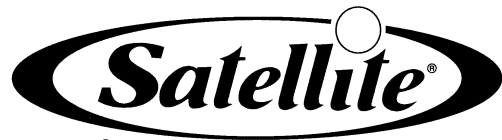
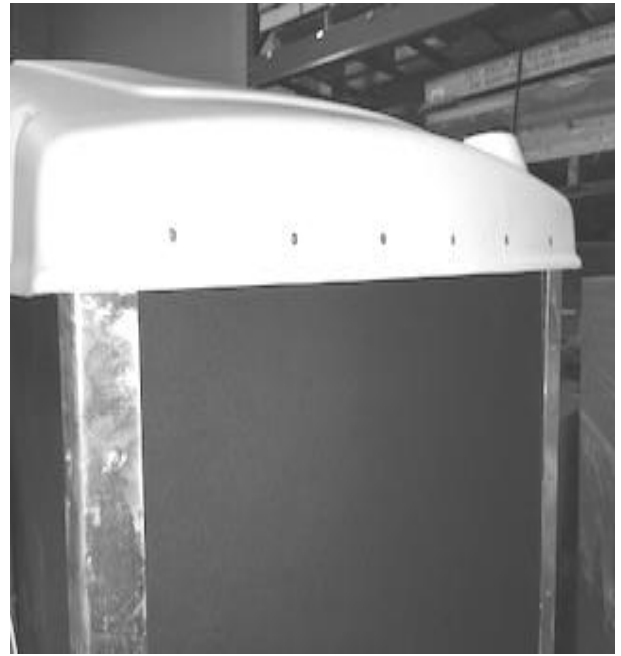
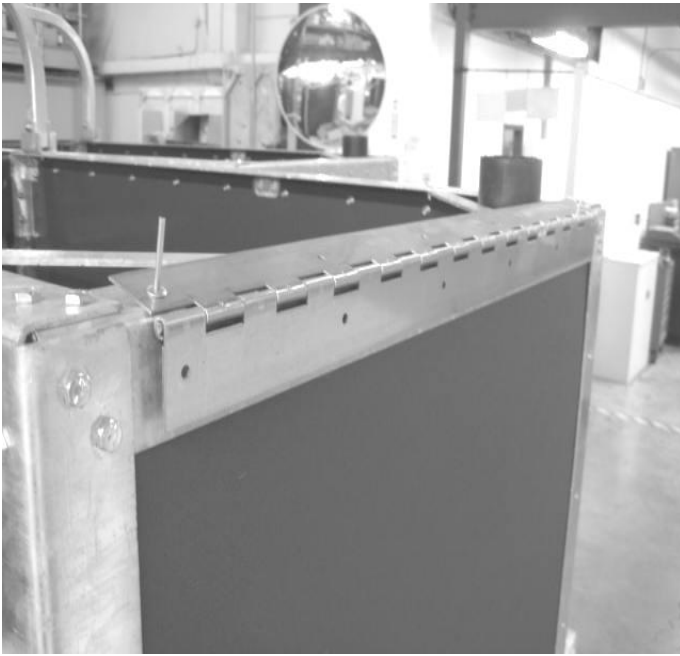
7. Fasten #20826 Brackets to Angles: See fig E.

Using Rivets #11027 and #11315 Washers rivet Bracket in pre-drilled holes in angle. Rivets through Bracket and into Angle with a backup Washer. Set rivets with rivet gun.

8. Fasten #20826 Brackets to Side Panels: See fig F.

Using Rivets #11027 and #11315 Washers rivet Bracket to side Panels. Transfer drill through holes in bracket, through side panel. Rivets through Bracket and into side panel with a backup Washers. Set rivets with rivet gun.





SATELLITE INDUSTRIES, INC.

2530 Xenium Lane North, Minneapolis, MN 55441
Telephone: 763-553-1900 Fax: 763-553-1905
800-328-3332 / www.satelliteindustries.com