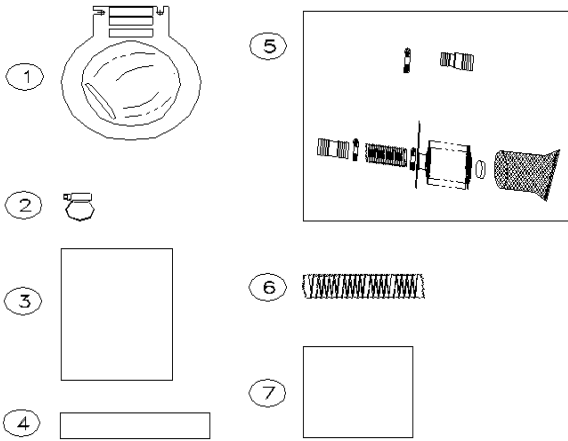


INSTRUCTIONS FOOT FLUSH WITH WESTERN BOWL

INTRODUCTION: Satellite portable restrooms must be assembled according to approved assembly procedures. Avoid variations in assembly procedures which could adversely affect product life and warranty.



21199 KIT, RECIR F/FLSH NO FLAP

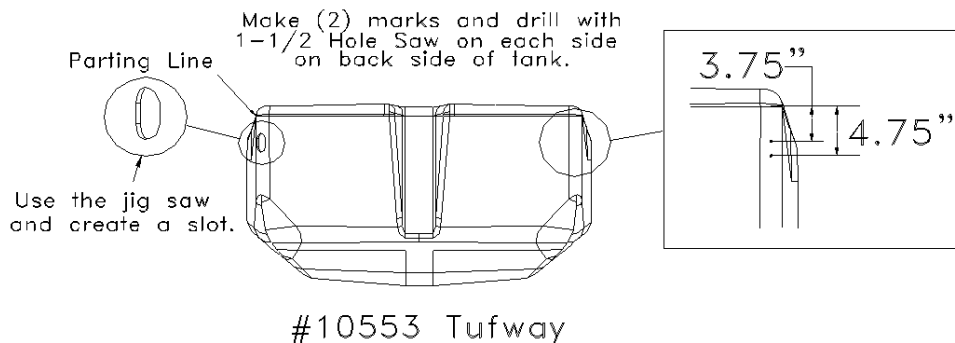
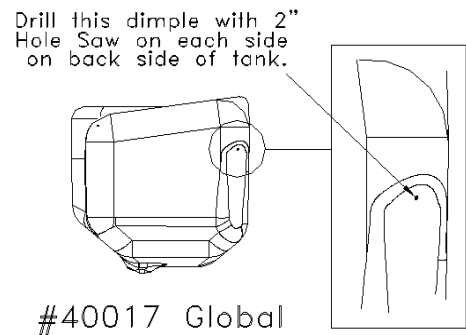
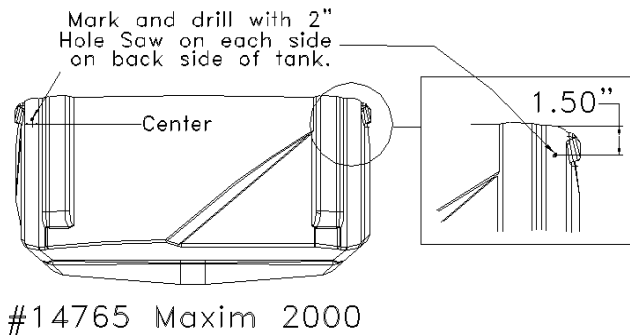
7	21147	1	INSTR- RECIR F/FLSH NO/FLAP
6	14384	6"	HOSE, #44 FLEX
5	21048	1	FILTER ASSY, TFW FOOT FLSH
4	21151	1	DECAL, FLUSHING UNIT
3	21150	2	DECAL, FOOT FLUSHING
2	12588	2	CLAMP, WORMDRIVE #12
1	18473	1	BOWL ASSY, WESTERN NO FLAPPER

TOOLS:

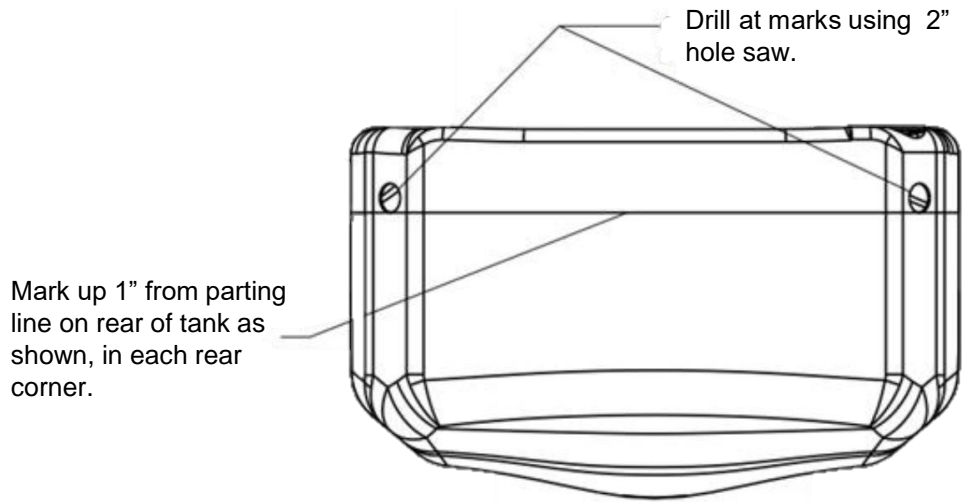
5/16 Nut Driver Bit Rivet Gun Phillips Screwdriver Flat Blade Screwdriver #10 (3/16") Drill Bit
Heat Gun 2" Hole Saw Elec/Cordless Drill 1-1/2 Hole Saw *Jig Saw

NOTE: Some pictures show only Tufway parts, but the assembly is universal.

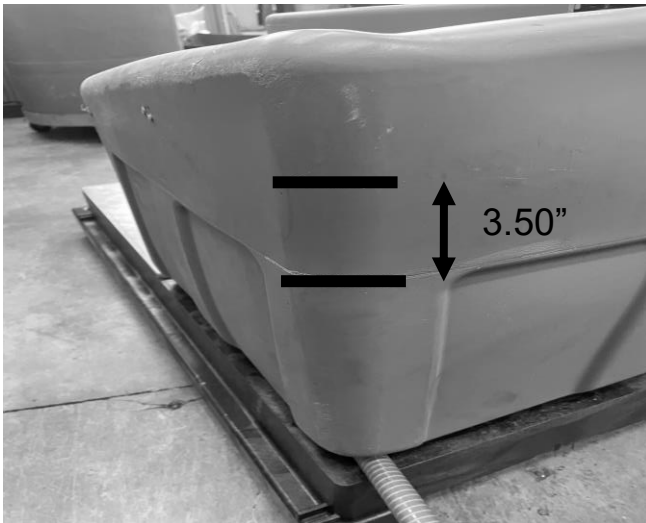
- 1. Seat Tank in Base:** Note: Hoses must not be under the tank, check both sides.
 - Check tanks below to match your tank before drilling holes.
- 2. Drill Holes in Tanks:** Drill holes in each corner, on back side of Tanks as shown.



2. Drill Holes in Tanks: Drill hole in each corner, on back side of Tanks as shown.



#22192 Maxim 3000 II
(back of Tank shown)



Mark up 3.50" from parting line on rear of tank as shown, in each rear corner.
Drill at marks using 2" hole saw.

#22918 AXXIS / ASPEN II BLOW MOLD TANK

3. INSERT HOSES:

- Insert hoses from Base assembly into drilled holes in rear corners of tank.

4. FASTEN FILTER ASSEMBLY:

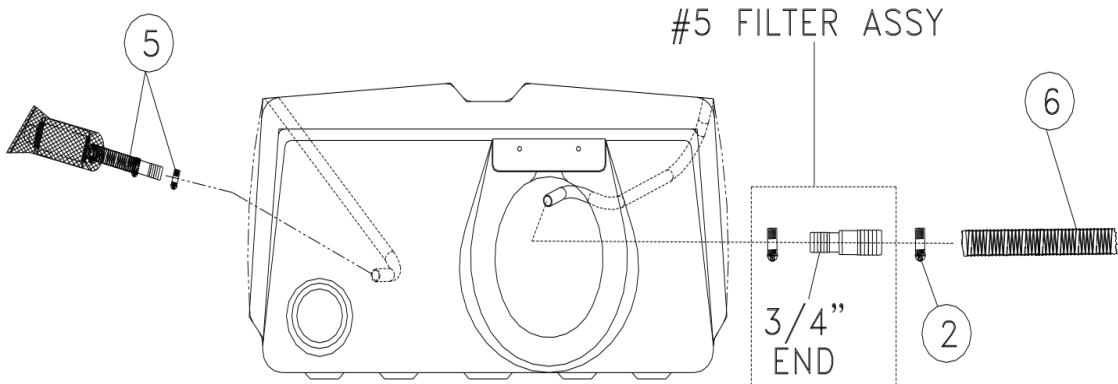
- Install filter assembly on hose as shown.
NOTE: For easy of assembly heat the end of the hose before inserting fitting.
- Do not over heat, heat only until hose is soft.

- Place filter assembly in bottom of tank

5. FASTEN HOSE & FITTING :

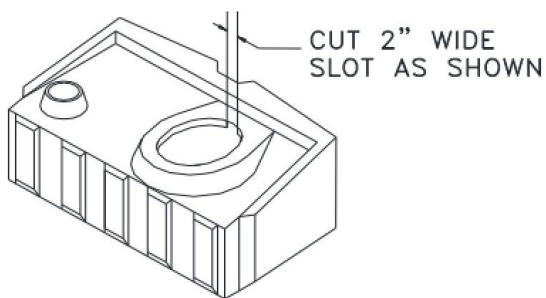
- Fasten the hose and fitting for the Bowl assembly as shown, the hose end may need to be heated.

Parts included with filter assy. ⑤

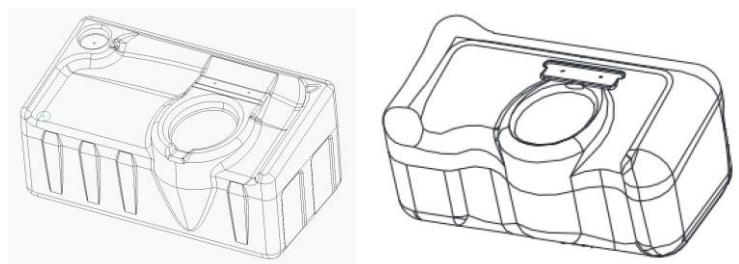


6. CUT CLEARANCE IN TANK:

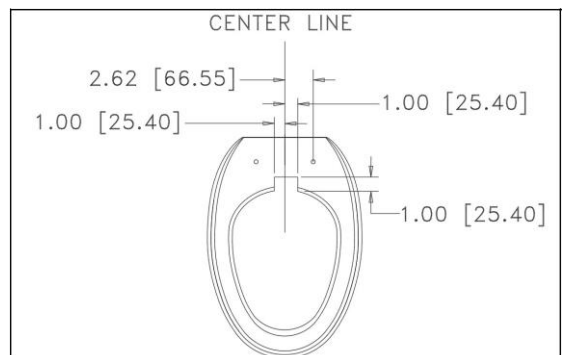
- Cut slot for hose and elbow clearance. NOTE: Maxim 2000 & Maxim 3000 II do not need a slot cut.
- Match your tank to the tank below and cut slot as shown.



#10553 TUFWAY / GLOBAL II TANK

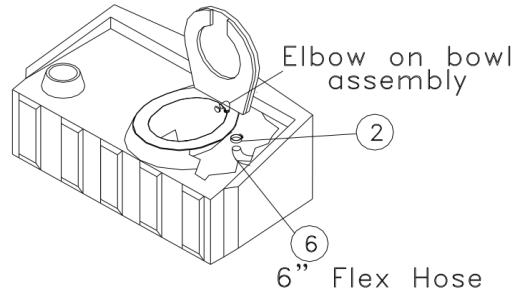
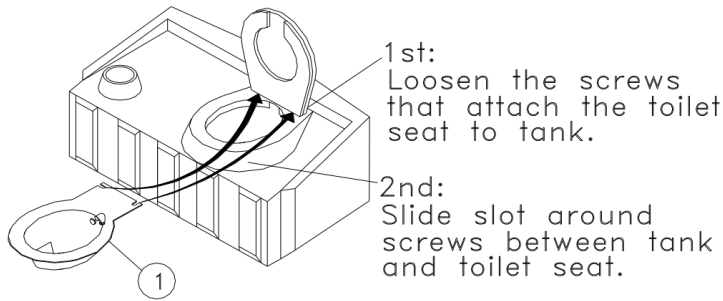


#22918 AXXIS / ASPEN II TANK and #40017 GLOBAL TANK
Cut slot as shown below:



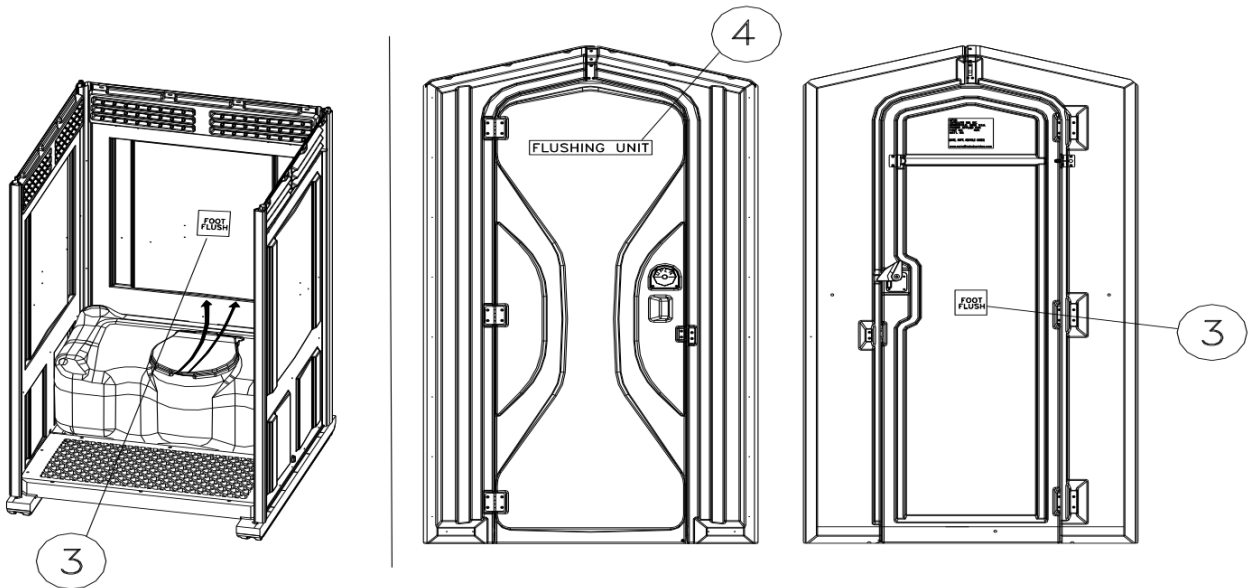
6. FASTEN BOWL TO TANK AND HOSE:

- Fasten bowl (see below).
- Fasten hose (see below right).



6. FASTEN DECALS:

- Decal #4 Flushing Unit:
- Measure 7.00" [178mm] down from top of door opening.
- Center and attach.
- Decal #3 Foot Flushing:
- 1st Decal: Flip toilet lid up, measure 2.00" [50mm] above lid to decal bottom & install to back panel.
- 2nd Decal: Measure up 39.00" [990mm] from floor to decal bottom, center & install on the inside of the door. (see below)



2530 Xenium Lane North, Minneapolis, MN 55441
 Telephone: 763-553-1900 Fax: 763-553-1905
 800-328-3332 / www.satelliteindustries.com