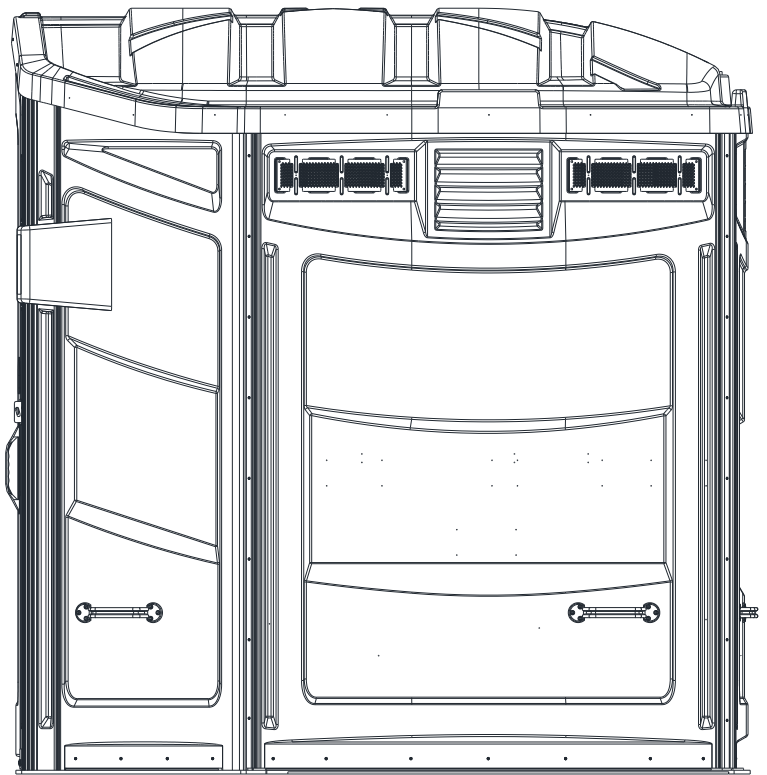
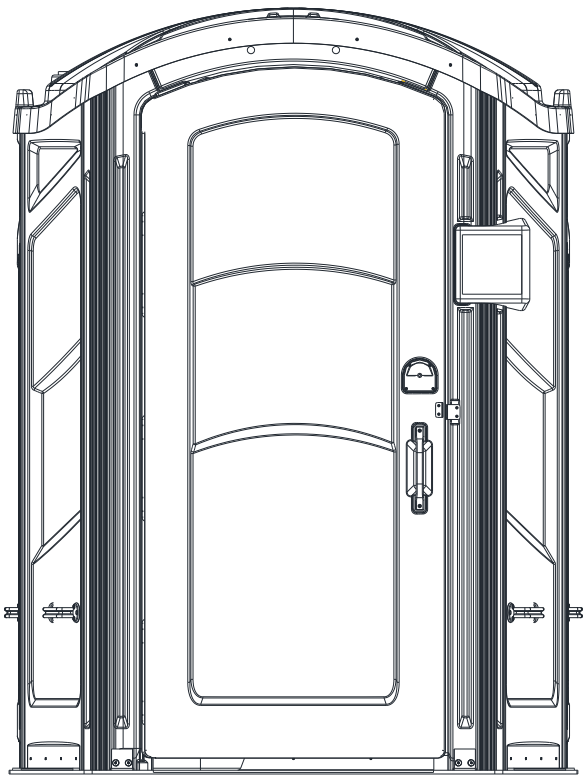
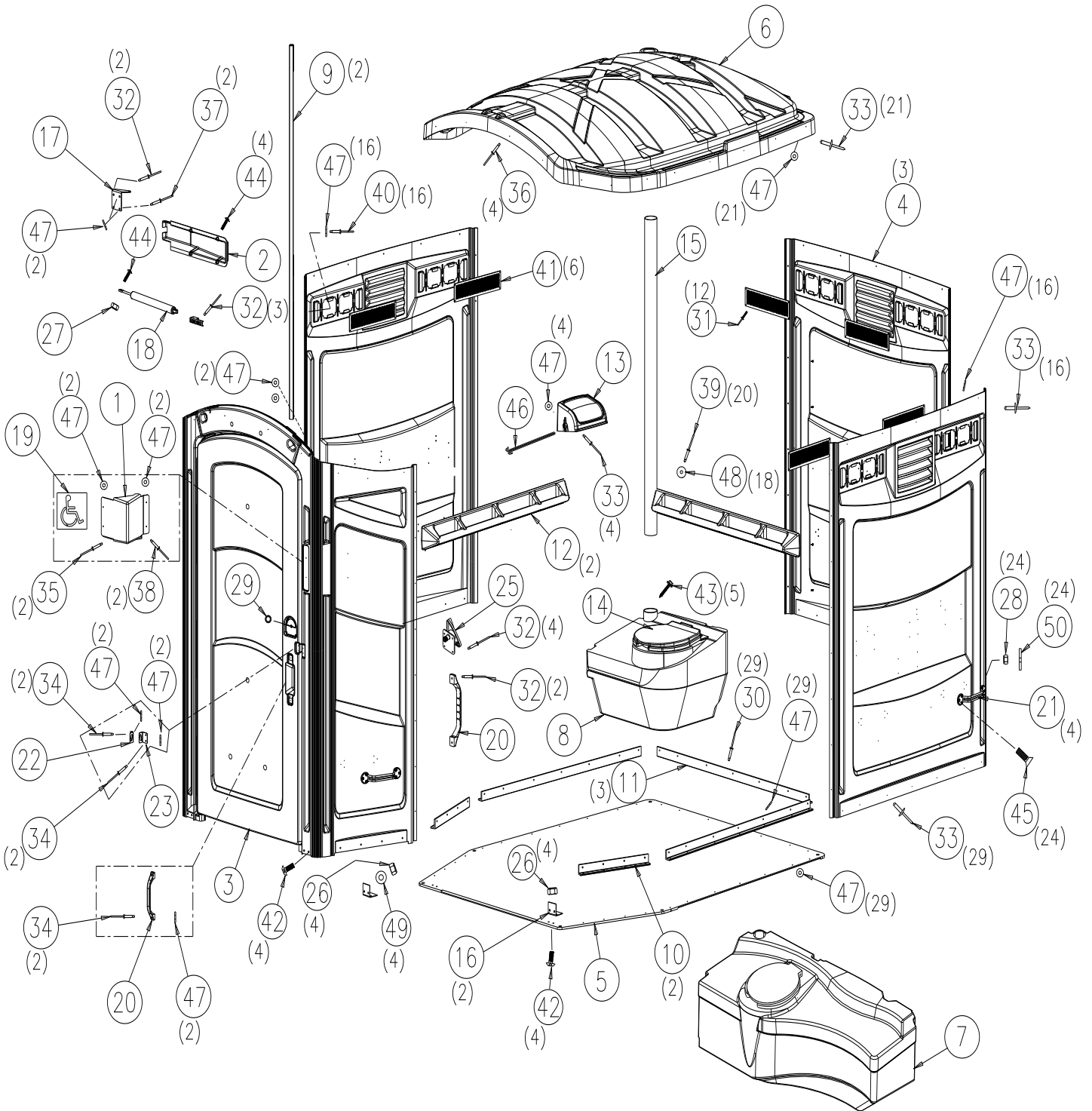


# FREEDOM3®

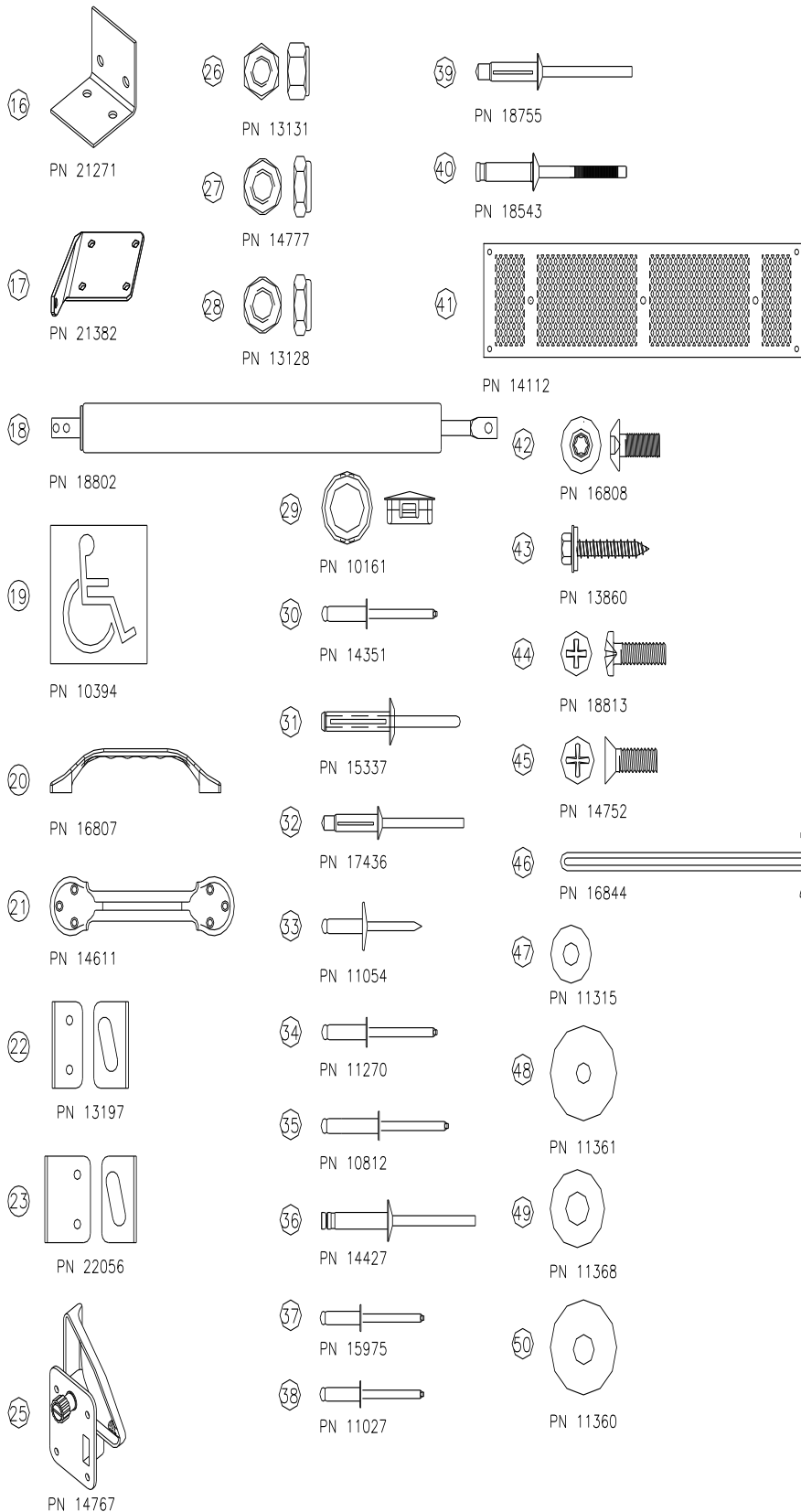
## Portable Restroom Assembly Instructions



# FREEDOM 3 ASSEMBLY INSTRUCTIONS



**PARTS LIST:**



**2 HDWE, FREEDOM3 (#21290)**

50	11360	24	WASHER, 1/4 ID FENDER STNLS
49	11368	4	WASHER, 5/16 FLAT STNLS
48	11361	18	WASHER, 3/16 ID FENDER
47	11315	129	WASHER, 3/16 RIVET STNLS
46	16844	1	SPINDLE, PAPERGRD 2 ROLL METAL
45	14752	24	SCREW, 1/4-20 x 3/4 FLAT PH HD
44	18813	5	SCREW, #10-24 X3/4 TRUSS STNLS
43	13860	5	SCREW, #14 X 1-1/2 W/WSH GOLD
42	16808	8	SCREW, 5/16-18 X 3/4 TORX
41	14112	6	SCREEN, 3.8 X 15.25 PLSTC VENT
40	18543	16	RIVET, 3/16 T PEEL
39	18755	20	RIVET, AVDEL SILVER LONG
38	11027	2	RIVET, #66 ALUM
37	15975	2	RIVET, #66 STNLS
36	14427	4	RIVET, #66 LSH W/LOCK MANDREL
35	10812	2	RIVET, #612 ALUM
34	11270	6	RIVET, #68 STNLS
33	11054	70	RIVET, #68 AAL POP
32	17436	11	RIVET, AVDEL SILVER
31	15337	12	RIVET, .195in PLASTIC EXPANDNG
30	14351	29	RIVET, #610 CCP
29	10161	1	PLUG, 1/2 INDICATOR BLACK PLST
28	13128	24	NUT, 1/4-20 NYLOC
27	14777	1	NUT, #10-24 NYLOC
26	13131	8	NUT, 5/16 NYLOC
25	14767	1	LATCH, RESTROOM PLASTIC
24	21337	1	INSTRUCTION, FREEDOM3 (NOT SHOWN)
23	22056	1	HASP, EXTENDED
22	13197	1	HASP, 3/16 RIVET HOLE DOOR
21	14611	4	HANDLE, RESTROOM LIFT
20	16807	2	HANDLE, PLASTIC HOVER
19	10394	1	DECAL, HCP (ISA) FREEDOM2
18	18802	1	CLOSURE, WORLD CARE DOOR
17	21382	1	BRACKET, FREEDOM3 CLOSURE
16	21271	2	BRACKET, FREEDOM3 FRONT MNT

**1 HDWE/PARTS PKG, FREEDOM3 (#21293)**

15	13796	1	VENT PIPE, 3 X 65-1/2 BLACK
14	10570	1	SEAT, TOILET TUF/FRE/LIB BLACK
13	17082	1	HOOD, PAPERGUARD 2 ROLL DGRY
2	21290	1	HDWE, FREEDOM3
12	21291	2	HANDRAIL, LIB/FRDM3 PLASTIC
	18100	1	BOX, 70 X 16 X 8 (NOT SHOWN)
11	18039	3	ANGLE, PLSTC LIBERTY
10	21270	2	ANGLE, FREEDOM3 PLSTC

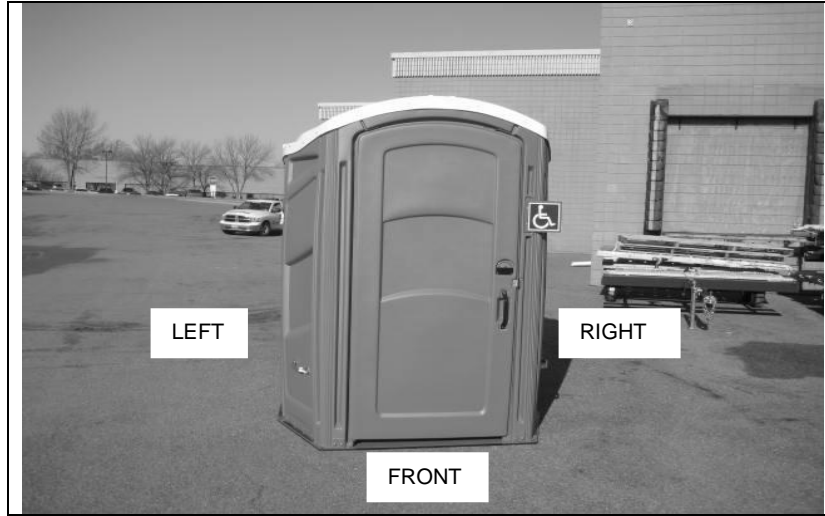
**FREEDOM3, STANDARD 35 & 68 GALLON TANK**

9	21328	2	TUBE, FREEDOM3 STIFFENER
8	14508	1	TANK, FRE/LIB 35 GAL CAPACITY
7	16538	1	TANK, FRE/LIB LARGE DGRY
6	21269	1	ROOF, FREEDOM3 NATURAL
1	21293	1	HDWE/PARTS PKG, FREEDOM3
5	21268	1	FLOOR, FREEDOM3 DRILLED
4	18031	3	DESIGN, LIBERTY SIDE PANEL
3	21238	1	DESIGN, FREEDOM3 FRONT ASSY
2	21314	1	DESIGN, FREEDOM3 CLOSER COVER
1	21304	1	BRACKET, FREEDOM3 HCP DGRY

## INTRODUCTION

Satellite portable restrooms must be assembled according to approved assembly procedures. Avoid variations in assembly procedures which could adversely affect product life and warranty.

**All references to front, left, right, and rear are looking at the door of the unit from the outside.**

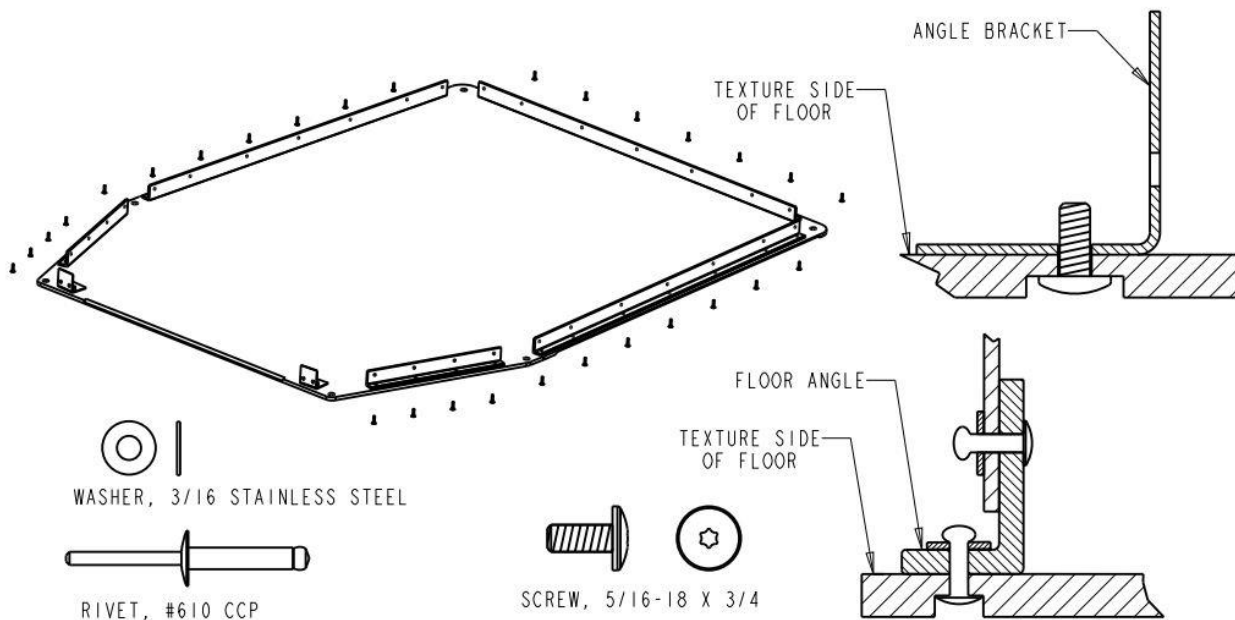


**Tools:**

●Standard screwdriver	●Drill Electric or Cordless Drill	●# 2 Phillips Head Driver Bit	●3/8" (.375") [9.53 mm] Hex Driver bit
●Pop Rivet Gun	●#10 (.193" ) [ 5 mm ] Drill bit	●1/4" (.250" ) [ 6 mm ] Drill bit	●T-30 Torx bit
●3/8" (.375" ) [9.53 mm] Open end wrench	●1/2" (.500" ) [12.2 mm] Open end wrench	●21/64" (.328" ) [8.3 mm] drill bit	●7/16" (.437" ) [11.1 mm] open end wrench or socket

**HELPFUL HINTS:**

- **Keep panels out of direct sunlight.**
- **Don't open up all of your kit boxes. Open up only enough kit boxes to assemble the number of toilets you are currently working on. KEEP PARTS ORGANIZED.**
- **Staging parts will minimize assembly time.**
- **Keep driver as upright as possible when driving lag screws panel to tank attachment.**



### Install Angles on Floor:

1) Place floor P/N 21268 on a table or box with textured side up. Layout 3 long angles P/N 18039 with short flange on floor.



2) Rivet long angles to floor using rivets P/N 14351. Align holes in angles with holes in floor. Rivets from bottom of floor with washer P/N 11315 on top of angle.

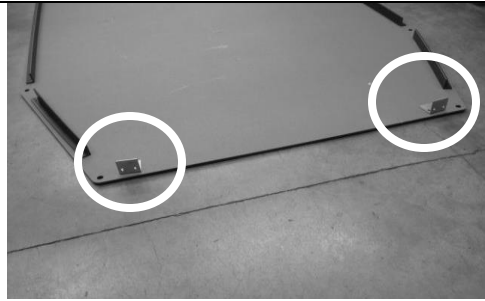


3) Rivet short angles (2) PN 21270 to left & right sides near front of floor using rivets P/N 14351 with washer P/N 11315.



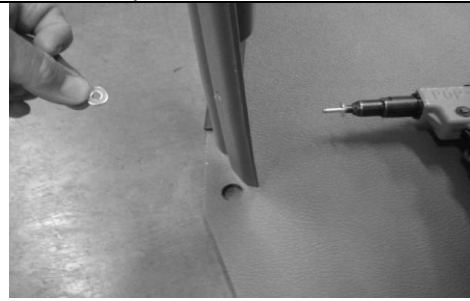
### Install Front Mount Bracket on Floor:

4) Use screws (4) PN 16808 bottom of front & nuts (4) PN 13131 on top of brackets (2) PN 21271 to secure front mount brackets to front of floor. Match holes in bracket with holes in floor. Tighten screws & nuts using T-30 Torx bit & 1/2" (.500") [12.2 mm] Open end wrench.



### Install Panels on Floor Angles:

5) Rivet the left / right / rear panels to long floor angles. Position panels on outside of angles so holes in bottom of panels match holes in angles. Install rivets P/N 11054 from inside unit through hole in angle and into hole in panel. Place washers P/N 11315 onto rivets outside of panel and set rivets.



6) Rivet the left / right / rear panels to long floor angles.



### Rivet side Panels to rear Panel:

7) Rivet rear panel to left panel (**rear panel overlaps left side panel**). Rivet right side panel (**right side panel overlaps rear panel**) to rear panel. Use rivets P/N 11054 from outside of panel & washers P/N 11315 on the inside of panels.

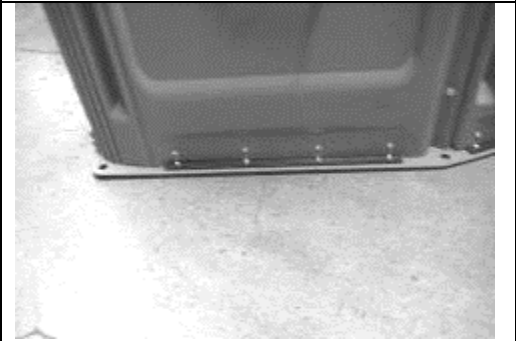


### Install Front:

8) Cut strap on front assembly & holding right / left facings against inside of door.



9) Position right facing on top of & outside of the short angle on floor. Rivet right facing to angle using rivets P/N 11054 from inside through angle & washers P/N 11315 on the outside of panel. **Repeat step 9) for left facing.**



**Install Front assembly:**

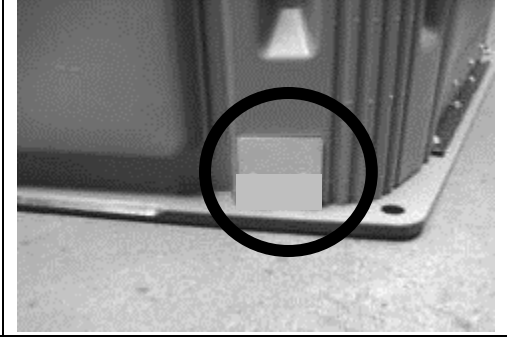
10) Rivet right facing to right side panel (facing edge on outside of panel edge). Install stiffener tube PN 21328 on outside of left panel (left facing is inside of left panel). Position stiffener tube on panel with holes in stiffener tube in line with holes in left panel / facing. Install rivets (8) P/N 18543 with washers (8) P/N 11315 on rivets from inside unit through panel / facing holes into holes in stiffener tube.



11) Rivet left facing to left side panel: Install stiffener tube PN 21328 on outside of left panel (left facing edge is inside of left panel edge). Position stiffener tube on panel with holes in stiffener tube in line with holes in left panel / facing. Install rivets (8) P/N 18543 with washers (8) P/N 11315 on rivets from inside unit through panel / facing holes into holes in stiffener tube.

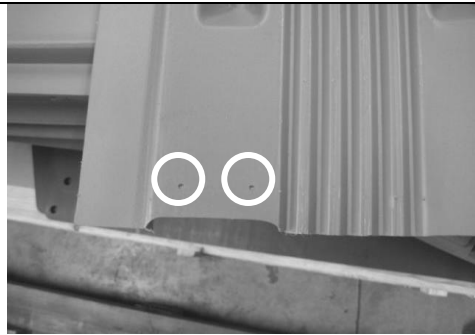


12) Right / left facings of front behind front mount brackets PN 21271 on floor.



**Install Front assembly:**

13) Locate dimple locations in bottom of right facing & drill using a 21/64" (.328") [8.3 mm] drill bit **"from inside of unit"**

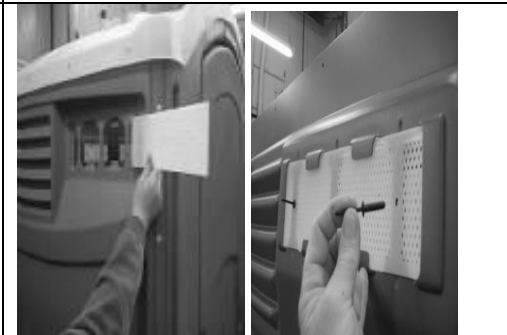


14) Fasten right facing to bracket using screws PN 16808 through bracket into hole drilled in facing with washers PN 11368 & nuts PN 13131 on inside of facing. Tighten screw & nut using T-30 Torx bit & 1/2" (.500") [12.2 mm] open end wrench. **Repeat steps 13) & 14) for left facing.**



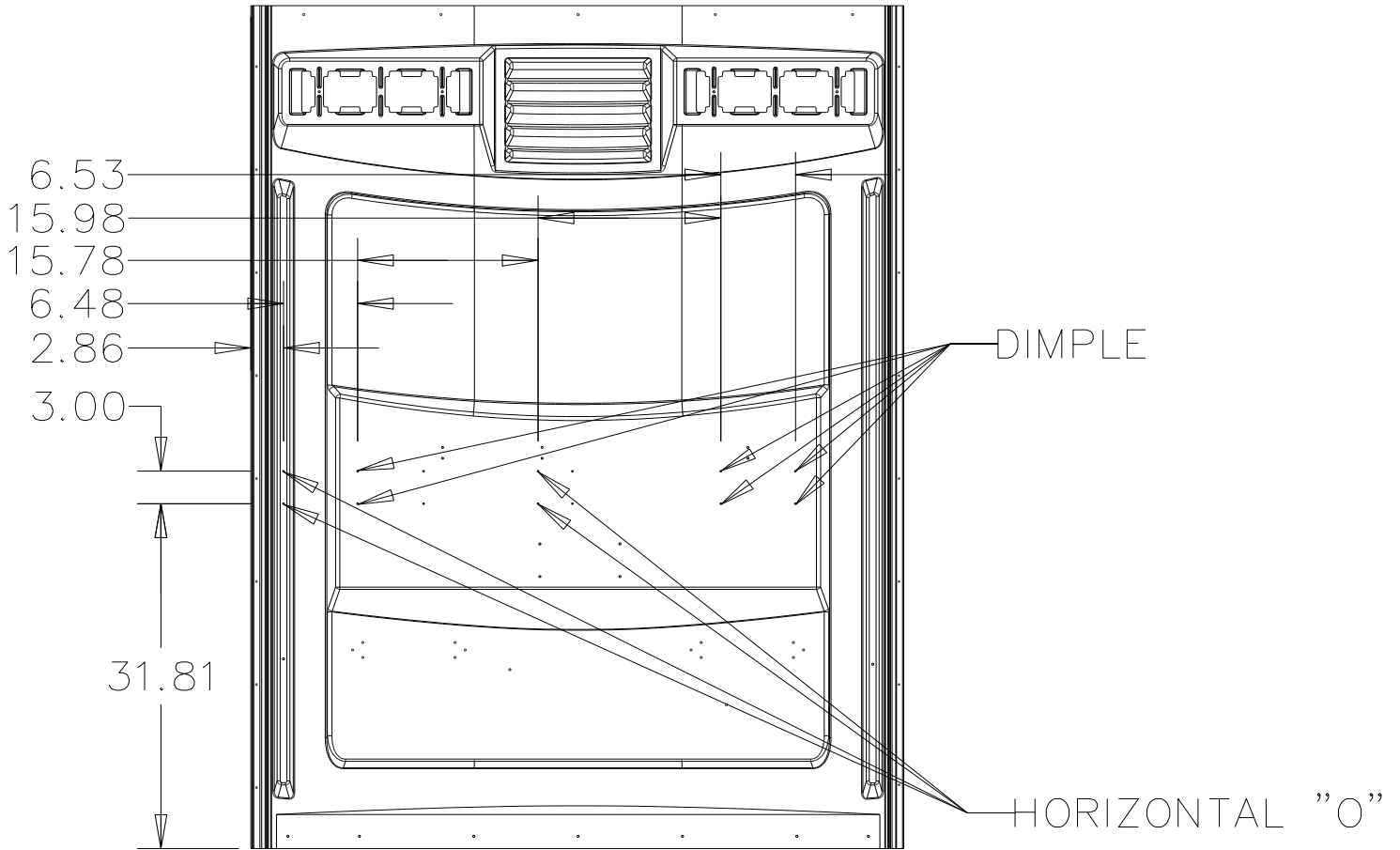
**Install vent screens in panels:**

15) Slide vent screen PN 14112 into pockets from the outside of unit. Install plastic expanding rivets PN 15337 into the 2 end holes of each screen from the inside of the unit.



**Install handrails:**

16) Install handrail PN 21291 left panel. Drill at (6) dimples / (4) horizontal "O" as shown below using #10 (.193") [5 mm] Drill bit.



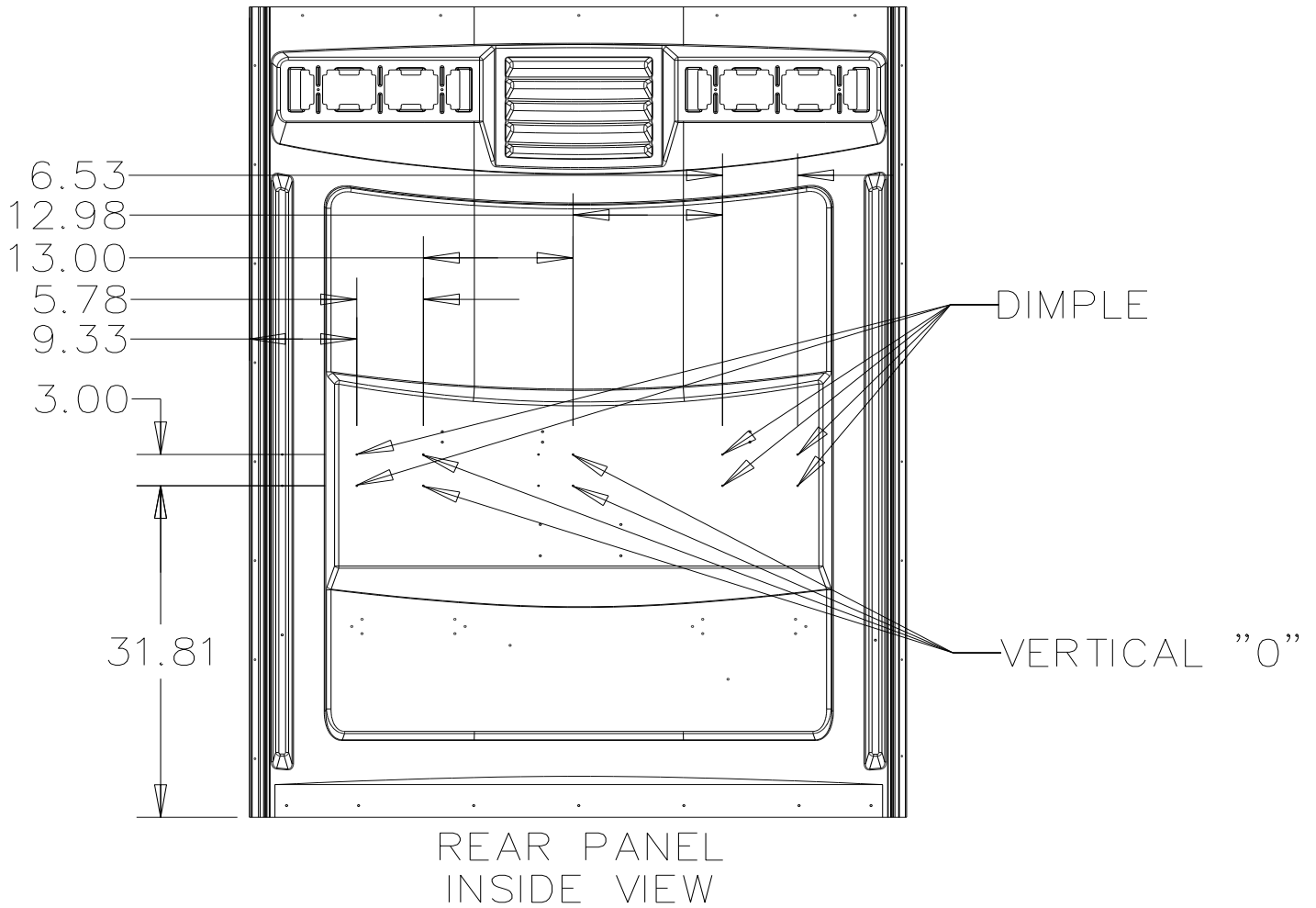
LEFT PANEL  
INSIDE VIEW

17) Rivet handrail to left panel. There are 4 pre-drilled holes on back of handrails. 2 are to mount hand rail on left panel & 2 are for mounting the handrail on the rear panel shown below. Rivet handrail to left panel with rivets through holes in left panel that match 2 holes in handrail. Use (2) PN 18755 & washers (2) PN 11361 Then transfer drill through 8 remaining holes in panel into handrail using #10 (.193") [5 mm] Drill bit.

18) Rivet handrail to left panel with rivets (2) PN 18755 & washers (2) PN 11315 in finger groove outside of left panel. Finish riveting handrail to rear panel with rivets (6) PN 18755 & washers (6) PN 11361



19) Install handrail PN 21291 rear panel. Drill at (6) dimples / (4) vertical "O" as shown below using #10. (.193") [5 mm] Drill bit.



20) Rivet handrail to rear panel. Rivets through 2 holes in rear panel that match 2 holes in handrail. Use (2) PN 18755 & washers (2) PN 11361 Then transfer drill through 8 remaining holes in rear panel into handrail using #10 (.193") [5 mm] Drill bit.

21) Finish riveting handrail to rear panel with rivets (8) PN 18755 & washers (8) PN 11361 from outside of rear panel.





**Install Tank and Vent pipe:**

22) Install seat lid PN 10570 on tank PN 16538. Plastic bolt through seat lid hinge into the tank Thread plastic nut on bolt from inside of tank. Position tank in left rear corner of unit.

23) Hold tank against panel while installing screws PN# 13860 from outside of unit. Install screw from outside in dimple in left panel 15-1/2" [39.37] from the rear and 13-1/4" [33.66cm] up from floor using 3/8" (.375") [9.53 mm] Hex Driver bit.

24) Install second screw through left panel into dimple in center of groove 17.50" [44.5 cm] up from floor.

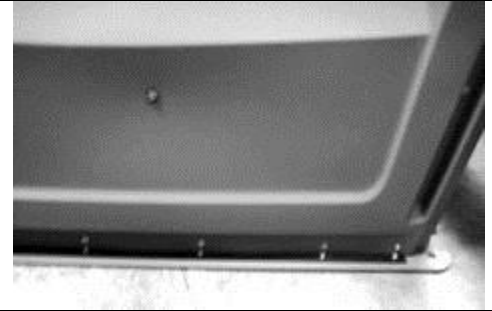


**Install Tank and Vent pipe:**

25) Insert vent pipe PN 13796 into tank PN 16538 until it bottoms out against screw.

26) Drive third screw through rear panel into dimple in groove to tank and vent pipe at 18" [45.7 cm] up from the floor.

27) Drive fourth screw through rear panel up from dimple in rear panel 1.75" [44.5 mm] up from the floor.

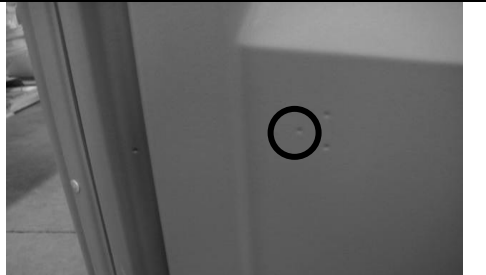


**Install "Tank Option PN 14508" and Vent pipe:**

28) Drive fifth lag screw into rear panel dimple (far left dimple on rear panel for lift handle).

29) Install seat lid PN 10570 on tank PN 14508. Plastic bolt through seat lid hinge into the tank Thread plastic nut on bolt from inside of tank. Position tank in left rear corner of unit.

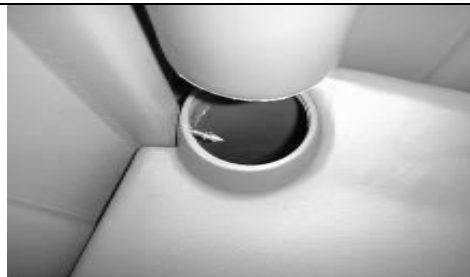
30) Hold tank against panel while installing screws PN# 13860 from outside of unit. Install screw from outside in dimple in left panel 15-1/2" [39.37] from the rear and 13-1/4" [33.66cm] up from floor using 3/8" (.375") [9.53 mm] Hex Driver bit.



31) Install second screw through left panel into dimple in center of groove 17.00" [43.18 cm] up from floor.

32) Insert vent pipe into tank until it bottoms out against lag screw.

33) Drive third lag screw through rear panel into dimple in groove to tank and vent pipe at 17-1/2" [44.45cm] up from the floor.

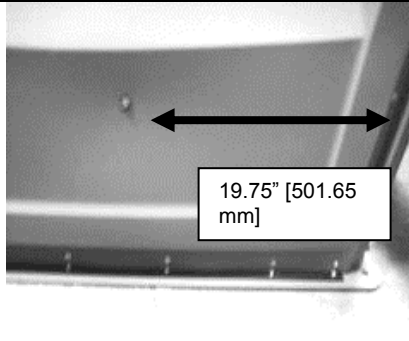


**Install Paper guard:**

34) Drive fourth lag screw into rear panel dimple left of the 3<sup>rd</sup> lag 19-3/4" [50.17cm] and 16-1/2" [41.91cm] up from the floor.

35) Drill out 4 dimples in left panel just below left handrail using a drill with a 1/4" (.250") [6 mm] drill bit, at location below

36) Install paperguard PN 17082 with rivet PN 11054 outside panel and washer PN 11315 on the inside. Insert the spindle PN 16844 into the paperguard. Note: position of the hook.



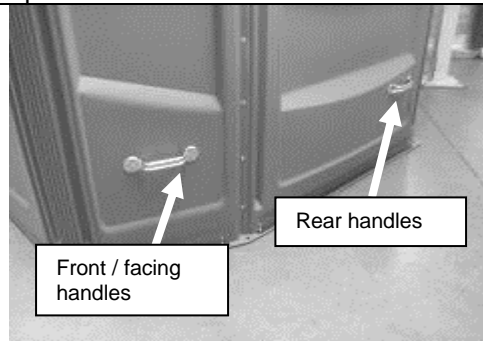
**Install Lift Handles:**

**Install Roof:**

37) Locate 6 dimples in each side panel (left & right) for rear lift handles. Drill 1/4" (0.25) [6.35mm] holes through panels. Locate 6 dimples in each facing (left & right) for front lift handles. Drill 1/4" (0.25) [6.35mm] holes through panels.

38) Install handles PN 14611 to panels / facings using screws PN 14752 through handle holes and into panels / facings. Install washers PN 11360 and nuts PN 13128 on screw inside of panels / facings. Tighten screws / nuts using Phillips bit & 7/16" (.437") [11.1 mm] open end wrench or socket

39) Place roof PN 21269 on unit. Insert vent pipe in through roof. Align holes in roof with holes in sides & rear panel. Rivet roof to the sides & rear panels using rivets (15) P/N 11054 installed from outside of roof and washers (15) P/N 11315 inside on panel.



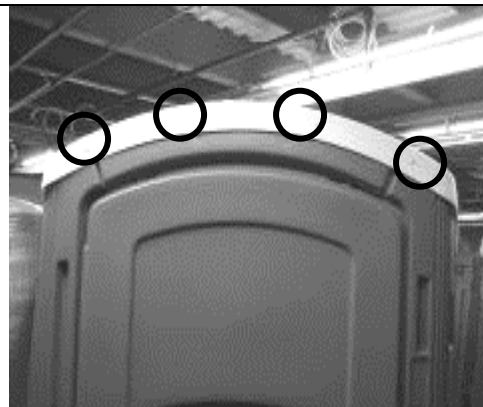
**Install Roof:**

**Install Inside Door Handle & Latch:**

40) Rivet roof to front facings. **First place block of wood under bottom of door approximately 3.00" in height (right side).** Pull roof down transfer drilling through 3 holes in left & right side of roof into front facings. Rivet roof to facings using rivets (6) P/N 11054 installed from outside of roof and washers (6) P/N 11315 inside on panel.

41) Rivet roof to front top facing. Pull roof down transfer drill through holes in roof (**do not drill through 2<sup>nd</sup> wall of front top facing**) using #10 (.193") [5 mm] Drill bit. Rivet roof to front top facing with (4) rivets PN 14427

42) Rivet handle PN 16807 on inside of door. Drill out (2) dimples in door using #10 (.193") [5 mm] Drill bit. Install (2) rivets PN 17436. Rivet latch PN 14767 on inside of door. Drill out (4) dimples in door using #10 (.193") [5 mm] Drill bit. Make sure the indicator reads green on the outside of door. Align indicator and latch as shown. Install (4) rivets PN 17436.



**Install Outside Door Handle:**

43) Rivet handle PN 16807 on outside of door. Drill out dimples in door using #10 (.193") [5 mm] Drill bit. Install (2) rivets PN 11270 outside of door with washers (2) PN 11315 on inside of door.



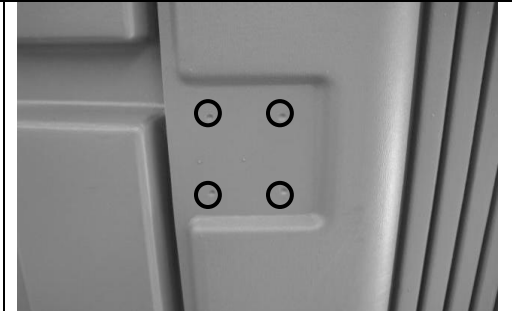
**Install Front Hasps:**

44) Locate dimples for hasp PN 13197 on door, drill at dimple locations using #10 (.193") [5 mm] Drill bit. Rivet hasp to door using (2) rivets PN 11270 outside & PN 11315 on inside of door. For hasp PN 22056 on right facing, drill at dimple locations using #10 (.193") [5 mm] Drill bit. Rivet hasp to facing using (2) rivets PN 11270 through hasp into facing & (2) washers PN 11315 on inside of facing.



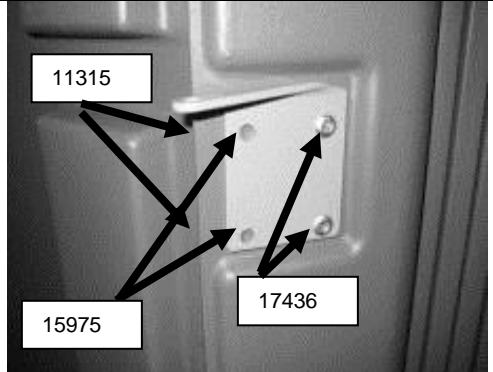
**Install Door Closure/Door closure cover:**

45) Drill at dimples (4) on inside of left facing (pocket for door closure bracket) using #10 (.193") [5 mm] Drill bit.



**Install Door Closure / Door closure cover:**

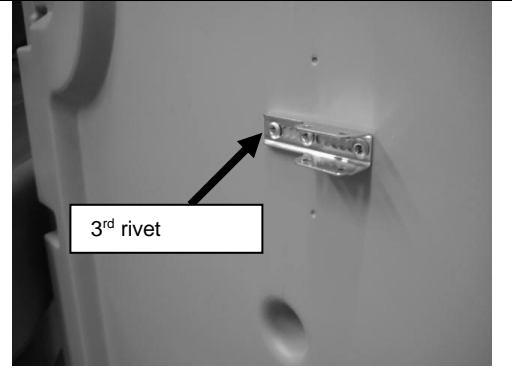
46) Place door closure bracket PN 21382 on facing inside of door as shown. Install (2) rivets PN 17436 in inside holes of bracket. Use (2) rivets PN 15975 bracket & (2) washers PN 11315 on outside of facing.



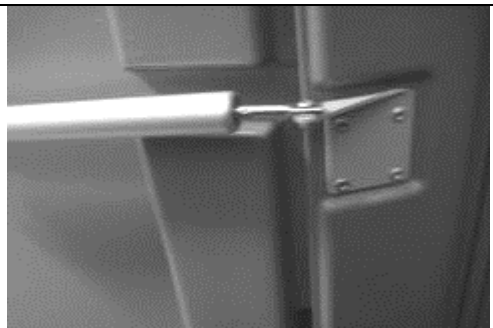
47) Drill out (2) dimples on inside of door to mount door closure bracket to door (included with door closure) using #10 (.193") [5 mm] Drill bit (**be careful not to drill through outside wall of door**).



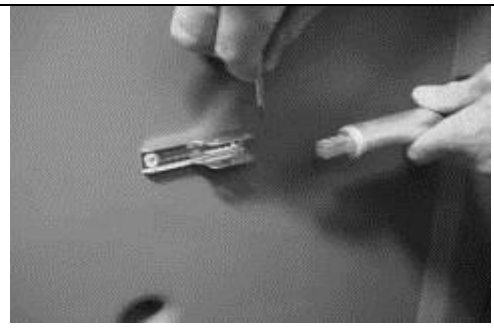
48) Rivet door closure bracket to door (included with door closure). Install bracket completely to the left using (2) rivets PN 17436 Add 3<sup>rd</sup> rivet far left of bracket, drill hole trough bracket into door using #10 (.193") [5 mm] Drill bit.



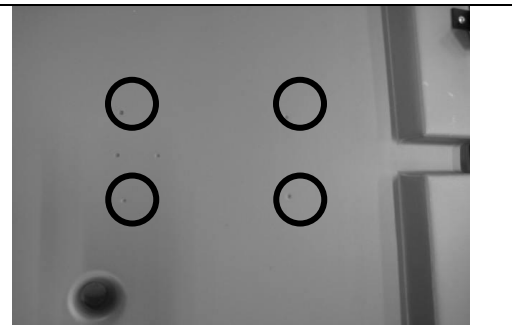
49) Fasten closure rod to bracket PN 21382. Place rod on top bracket arm. Fasten closure rod to bracket arm with screw PN 18813 and nut PN 14777 using # 2 Phillips Head Driver Bit & 3/8" (.375") [9.53 mm] Open end wrench.



50) Attach door closure to bracket on door with pin (provided with closure). **NOTE: adjust closure speed by turning cylinder (follow instructions on cylinder for direction to turn "small print"). A minimum of 5 second time frame for door to close.**



51) Locations 4 inserts on inside of door. To mount closure cover.



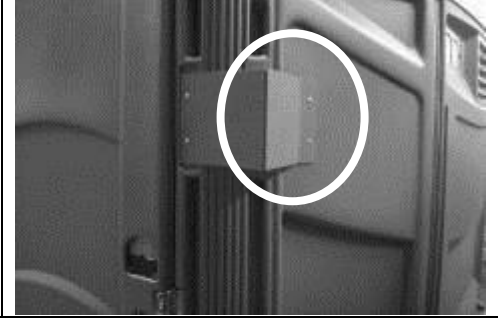
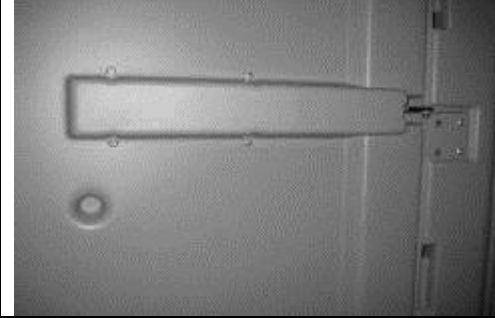
**Install Door Closure / closure cover:**

52) Place door closure cover PN 21314 over door closure. Attach cover to door with (4) screws PN 18813 **Note: start screws by hand through cover into inserts (may need to squeeze cover to start screws into all inserts) Then use # 2 Phillips Head Driver Bit to finish installing screw until screws are snug do not overtighten.**

**Install the Decal Bracket & Decal:**

53) Place decal bracket PN 21308 flat side centered in recess on right facing with left edge against left edge of recess with angled side towards rear of unit. Transfer drill through holes in front of bracket using #10 (.193") [5 mm] Drill bit. Rivet bracket to facing with (2) rivets PN 10812 on outside of unit & (2) washers PN 11315 on inside of unit.

54) Rivet rear of decal bracket (angled) to right facing. Transfer drill through holes in bracket into right facing using #10 (.193") [5 mm] Drill bit. Rivet bracket to facing with (2) rivets PN 11027 on outside of unit & (2) washers PN 11315 on inside of unit.



**Install the Decal Bracket & Decal:**

55) Place Decal PN 10394 on front of decal bracket as shown.

56) Install indicator plug 10161 in indicator on outside of door.



2530 Xenium Lane North, Minneapolis, MN 55441  
Telephone: 763-553-1900 Fax: 763-553-1905  
800-328-3332 / www.satelliteindustries.co