

Handwash Installation Instructions

For Maxim 3000 II



NOTE: When installing the Handwash into the Maxim 3000 II refer to (PN 22208) Maxim 3000 II Assembly Instruction book to aid in assembly / reassembly.

Tools Required:

Cordless Drill #10 Drill Bit Rivet Gun Air Compressor
3/8" Nut Driver 5/16" Drill Bit 1-1/8" Hole Saw

Additional Tools Recommended:

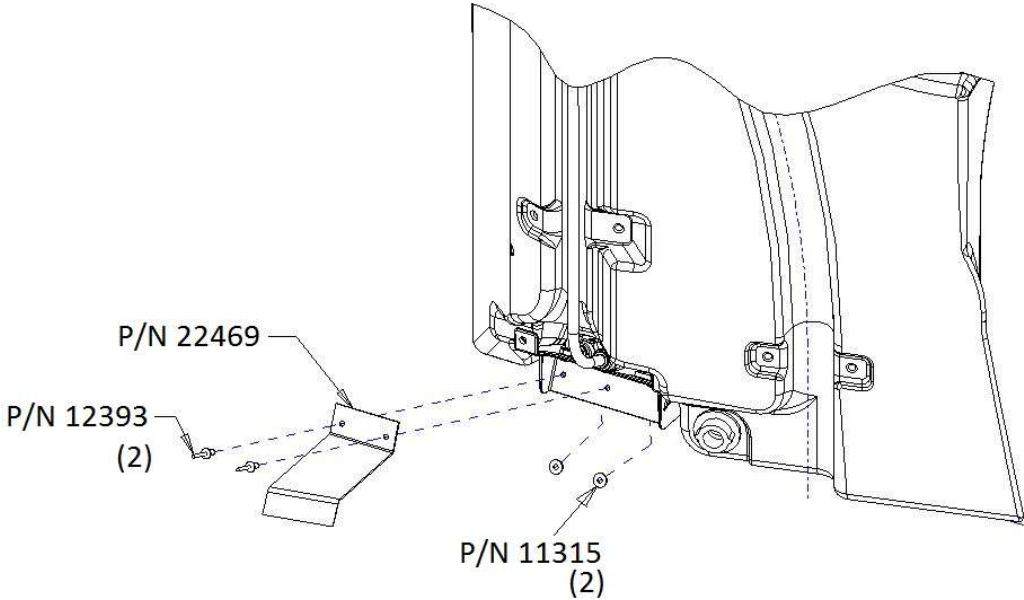
Collar for #10 Drill Bit (3/8" depth)



**Drill stop collar set to 3/8" [9,5mm]
on #10 bit.**

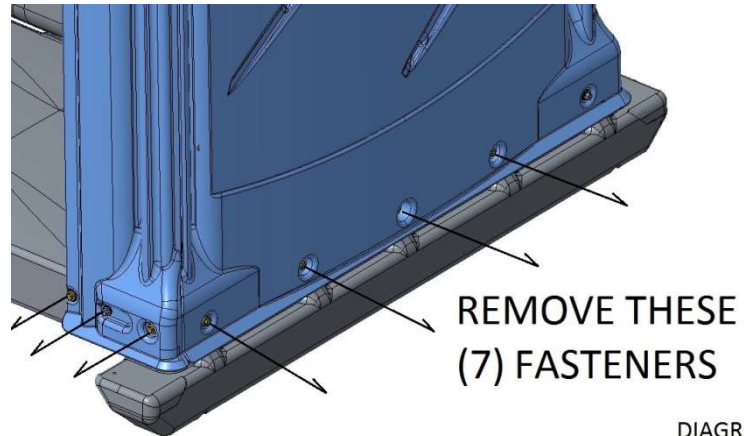
PLEASE USE THE FOLLOWING METHOD TO INSTALL THE HANDWASH.

- 1. Attach Bracket (PN 22469) to Tank using (2) rivets (PN 12393) and backup washers (PN 11315) as shown. (See Diagram #1) This step can be done pre-assembly.

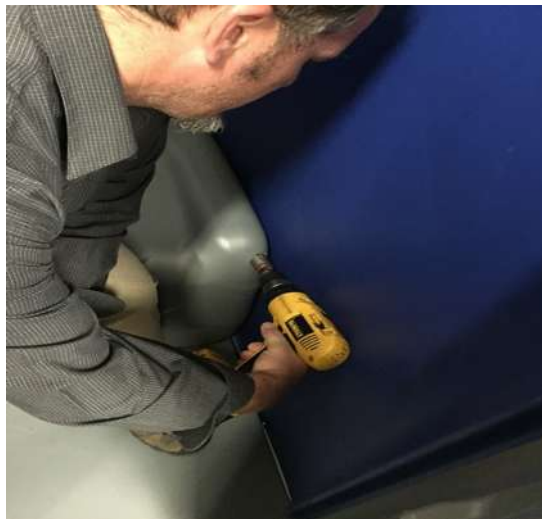


(Diagram 1)

2. Remove the lag screws and bolt from the Right panel and the Hasp Facing as shown in Diagram 2.



3. Drill a 1-1/8" hole at the drill point on the RH front of the Tank (for Handwash drain hose) as shown:



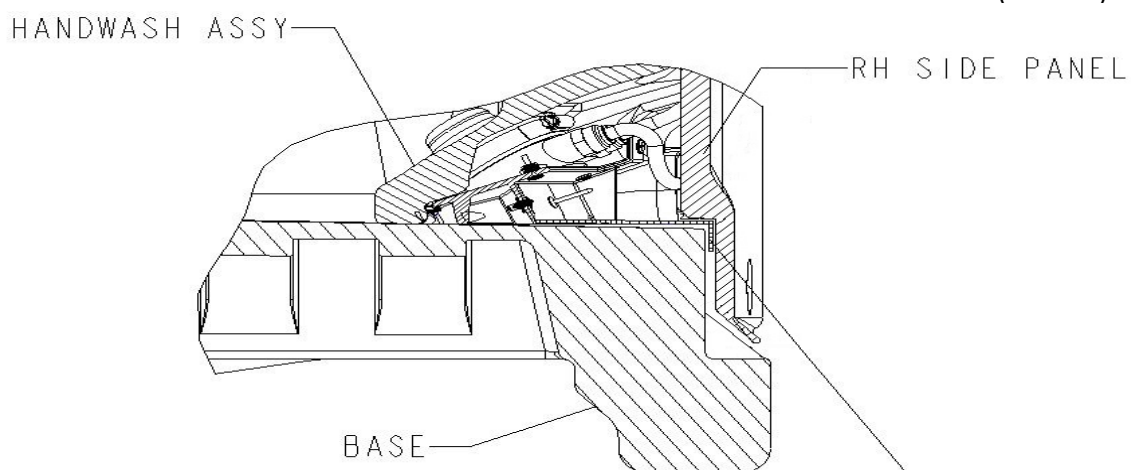
4. Place Handwash Tank in unit, place drain hose into hole in Tank as shown:



- Place Handwash Tank properly. Bracket must be tucked between RH Panel and Base. Push RH Panel out so there is a gap (See Photo # 8) and place Bracket between RH Panel and Base (See Diagram # 3).



(Photo 8)



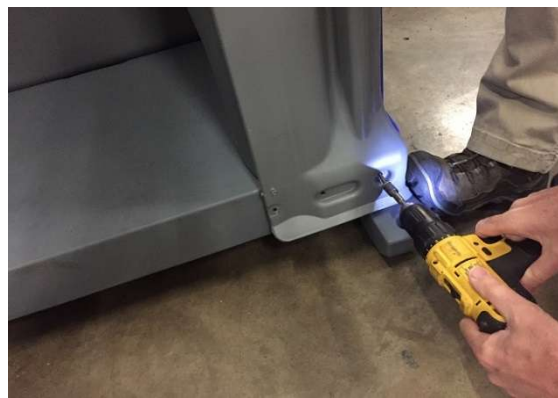
BRACKET PLACED BETWEEN BASE AND RH SIDE PANEL

(Diagram 3)

- Install lag screw into front hole of RH Panel. Align hole in RH Panel with cored hole in Base, as shown: (See Photo # 9)
- Install lag screw into outer hole of Hasp Facing. Align hole in Facing with cored hole in Base, as shown: (See Photo #10)



(Photo 9)



(Photo 10)

8. Install remaining lags & Bolt (22384) into RH Side Panel (3), and Hasp Facing (2), as shown:



9. Drill hole, using #10 bit, through drill point in recessed area on RH Panel and wall of Handwash Tank, as shown. Use caution not to drill through any hoses in Handwash Tank.

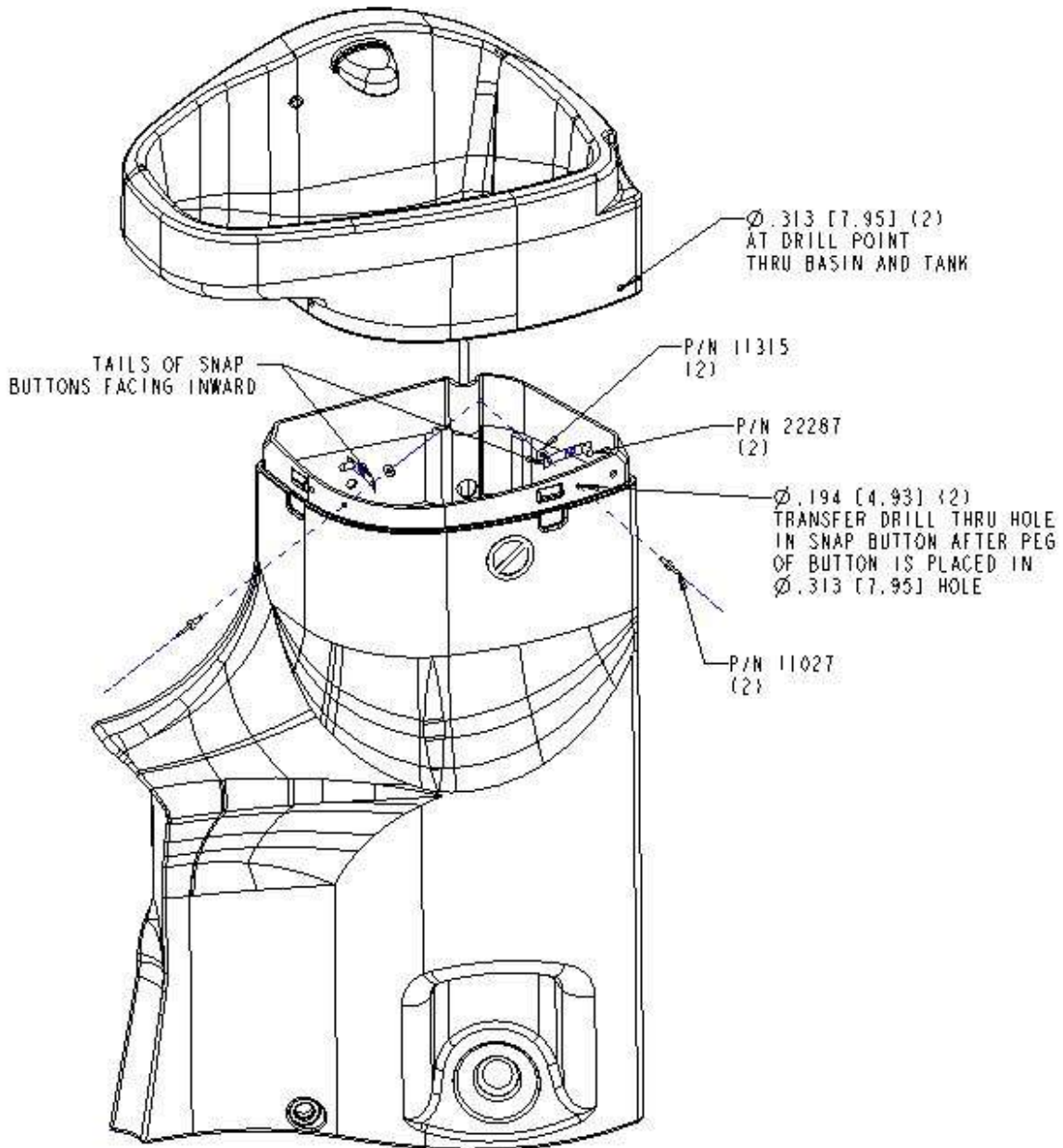


10. Secure Handwash Tank to RH Panel using rivet (PN 10812) and backup washer (11315), as shown:



11. If installing MX3 II Handwash with Forearm basin follow Step 11 shown below.

Skip Step 11 if installing MX3 II Handwash with small basin. Place Forearm Basin on Tank Assy and transfer drill (2) 5/16" holes through Basin and inset flange on Tank, at drill points on Basin. Remove Basin. Place knob of Snap Buttons (PN 22287), from inside of Tank, through holes, with tails facing each other, and transfer drill (2) holes (using #10 bit) through holes in Snap Button tails and tank inset flange. Attach Snap Buttons to inside of Tank with rivets (PN 11027) and backup washers (PN 11315).



12. Secure drain hose to Basin with hose clamp, and snap water line into coupling of Tank Assy, as shown:

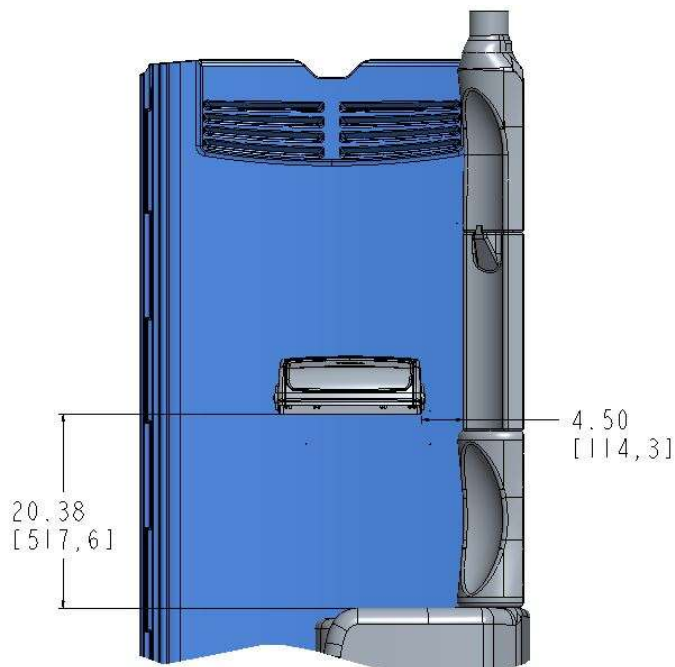


13. Install Basin Assembly to Handwash Tank



14. LOCATE PAPER GUARD, TRANSFER THE 4 HOLE LOCATIONS AND DRILL HOLES AT THIS ALTERNATE LOCATION ON THE LH PANEL.

NOTE: THE DRILL STOP (SEEN ON PAGE 2) SET AT 3/8 MUST BE USED TO DRILL HOLES. **DO NOT DRILL THROUGH THE OUTER WALL.**



NOTE: TO COMPLETE RESTROOM ASSEMBLY REFER TO (PN 22208) MAXIM 3000 II ASSEMBLY INSTRUCTIONS.



2530 Xenium Lane North, Minneapolis, MN 55441
Telephone: 763-553-1900 / Fax: 763-553-1905
800-328-3332/ www.satelliteindustries.com