

AGWASH TOWEL DISPENSER SPRING BUTTON INSTRUCTIONS

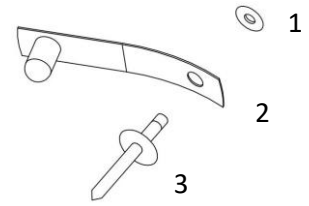
Installation of Spring Button will hold the wire latch of the towel dispenser in the "LOCKED" or "UNLOCKED" position. (TO UNLOCK THE LATCH PUSH THE SPRING BUTTON IN & SLIDE THE LATCH TO THE RIGHT).

TOOLS

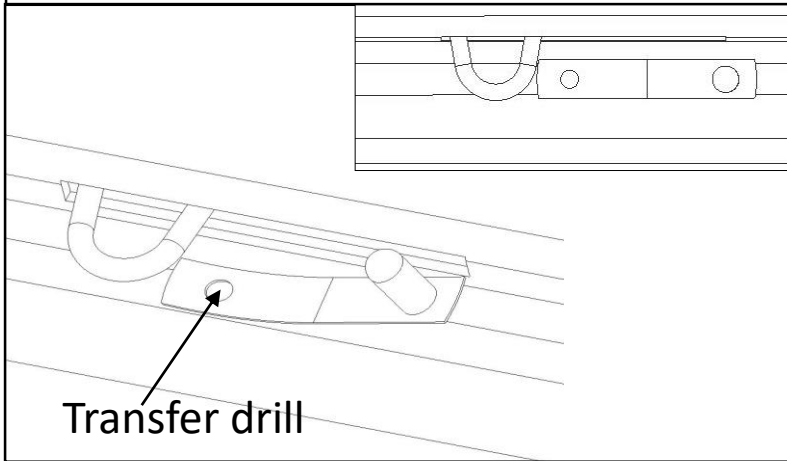
- CORDLESS DRILL
- RIVET GUN
- 3/16 DRILL BIT
- 3/8 DRILL BIT

PARTS KIT (22646)

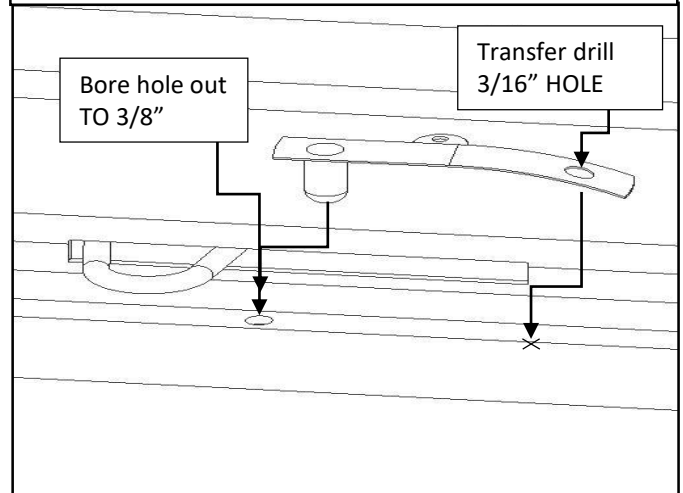
1. WASHER (11315)
2. SPRING ARM BUTTON (22287)
3. RIVET (11027)



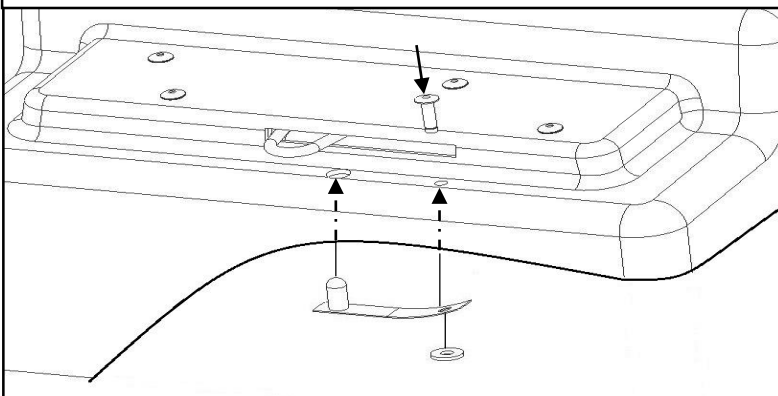
1. Open towel dispenser and move wire loop fully to left.
2. With wire loop fully to left, position hole end of Spring Arm Button next to wire loop (as shown below).
3. Using 3/16 drill, transfer drill through hole (see below).



4. Using 3/8 drill bit bore out 3/16 hole (see below).
5. Place button into bored hole, press Spring down firmly, and transfer drill using a 3/16 drill bit.



6. Place Spring Arm Button inside towel dispenser with Button through 3/8 hole and hole aligned with 3/16 drilled hole.
5. Insert Rivet through 3/16 hole and hole in Spring Arm, then place washer inside towel dispenser on rivet. Rivet assembly into place with rivet-gun.



2530 Xenium Lane North, Minneapolis, MN 55441
Telephone: 763-553-1900 Fax: 763-553-1905
800-328-3332 / www.satelliteindustries.com