

# ASPEN II

## Unit Assembly Instructions



2530 Xenium Lane North, Minneapolis, MN 55441  
Telephone: 763-553-1900 Fax: 763-553-1905  
800-328-3332 / [www.satelliteindustries.com](http://www.satelliteindustries.com)

## INTRODUCTION

Satellite portable restrooms must be assembled according to approved assembly procedures. Avoid variations in assembly procedures which could adversely affect product life and warranty.

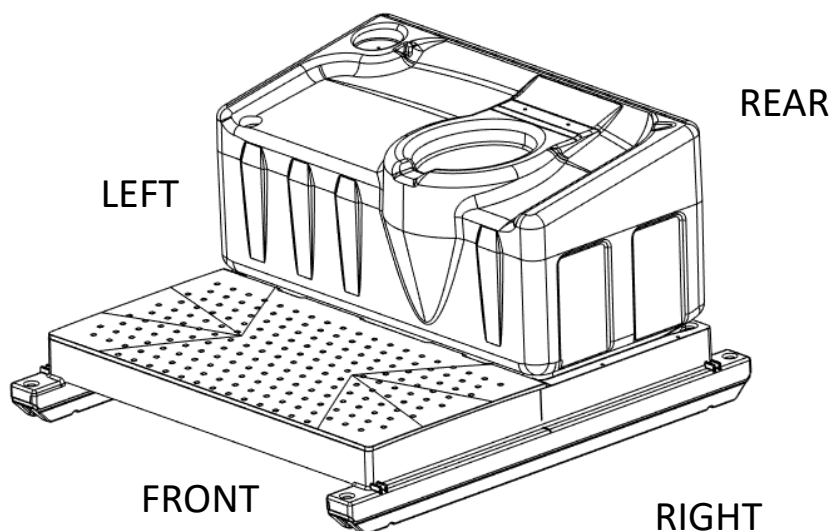
**IMPORTANT:** *Do not remove shipping screws / shipping strap from bottom door until instructed to in the "Install the Front Assembly" step.*

### TOOLS:

- \*DRILL CORDLESS
- \*3/8" HEX DRIVER BIT
- \*#10 or (3/16") DRILL BIT
- \*1/4 DRILL BIT
- \*RIVET GUN
- \*#2 PHILLIPS DRIVER BIT or SCREWDRIVER
- \*7/16" HEX NUT DRIVER BIT

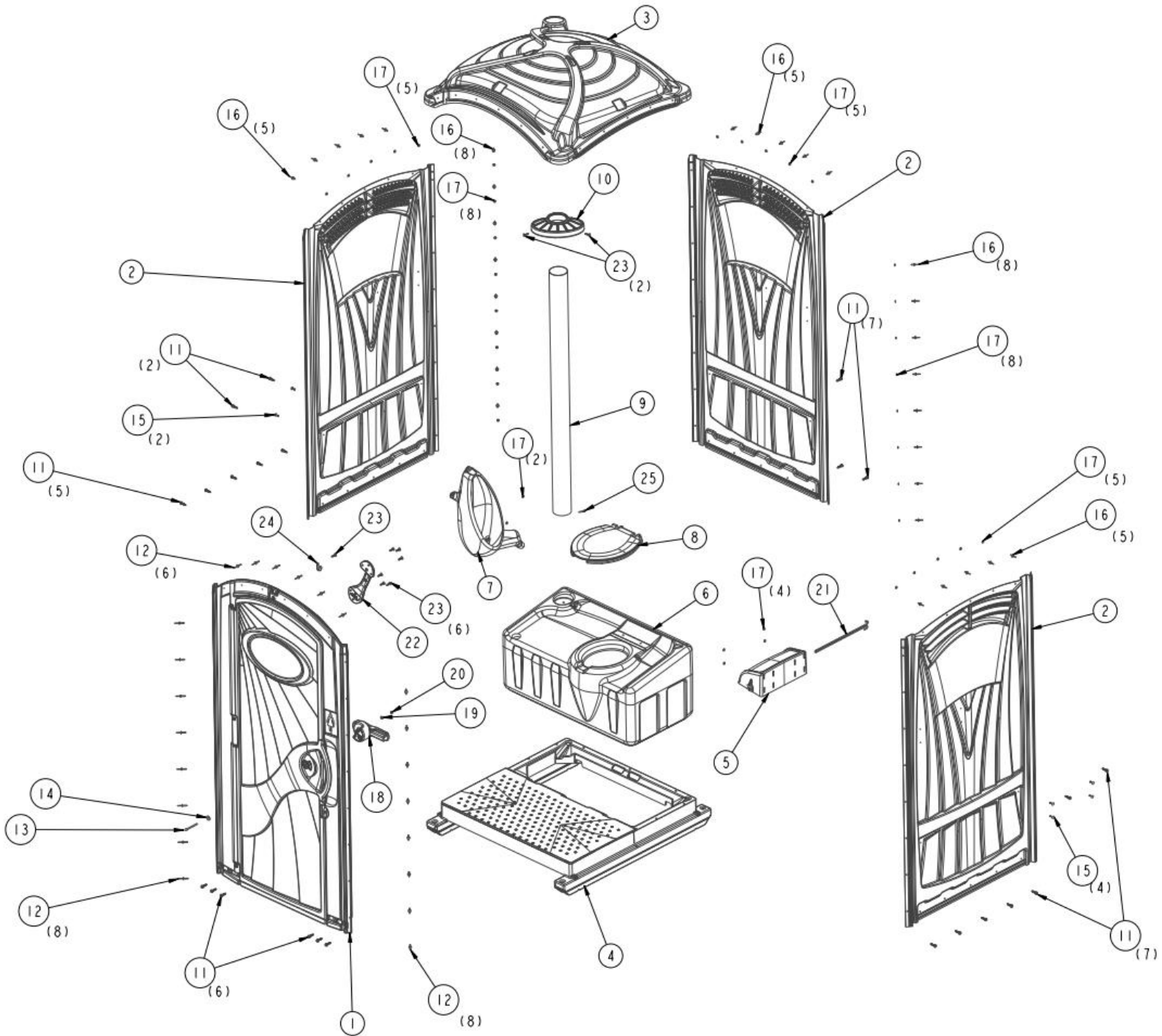
### HELPFUL HINTS:

- KEEP WORK AREA ORGANIZED.
- Do not open all of the kit boxes, only enough to assemble the toilets you are currently working on.
- Use toilet paper holders for parts bins on multiple unit assembly
- The door latch can be put on at any time. For efficiency this can be done earlier on multiple unit assembly.
- The assembly procedure is written for assembly of a single unit. If assembling multiple units, considerable efficiency can be gained by having a crew work in assembly line fashion.
- An apron with large pockets, is handy for holding parts and tools.



All references to left, right, front and rear correspond to this illustration.

# EXPLODED DRAWING

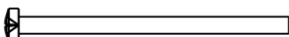




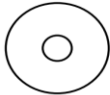
11 PN 13860



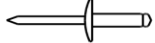
12 PN 14427



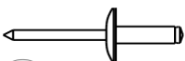
13 PN 40052



14 PN 11360



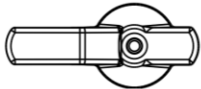
15 PN 22543



16 PN 11030



17 PN 11315



18 PN 40057



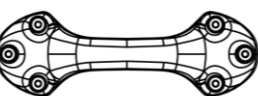
19 PN 12382



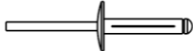
20 PN 16307



21 PN 22310



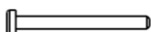
22 PN 22522



23 PN 22604



24 PN 10891



25 PN 18098

# HDWE- ASPEN II 3 ROLL (#23829)

Shown to the left

25	18098	1	SCREW #10 X 2 PH PH TAP
24	10891	1	HOOK- FLAT COAT STNLS
23	22604	9	RIVET- TRI- LOBE X 5/8 LF
22	22522	1	HANDLE- PLASTIC LIFT DGRY
21	22310	1	SPINDLE- PRGRD II 3 ROLL METAL
20	16307	1	NUT- 1/4-20 NYLOC STNLS
19	12382	1	WASHER- 1/4 FLAT STNLS
18	40057	1	HANDLE- GB TOILET GREY
17	11315	37	WASHER- 3/16 RIVET STNLS
16	11030	31	RIVET- #66 AAL POP
15	22543	6	RIVET- #610 AAL POP
14	11360	1	WASHER- 1/4 ID FENDER STNLS
13	40052	1	SCREW- 1/4-20x3-1/2 PH PNHD SS
12	14427	22	RIVET- #66 LSH W/LOCK MANDREL
11	13860	27	SCREW- #14 X 1-1.2 W/WSH GOLD

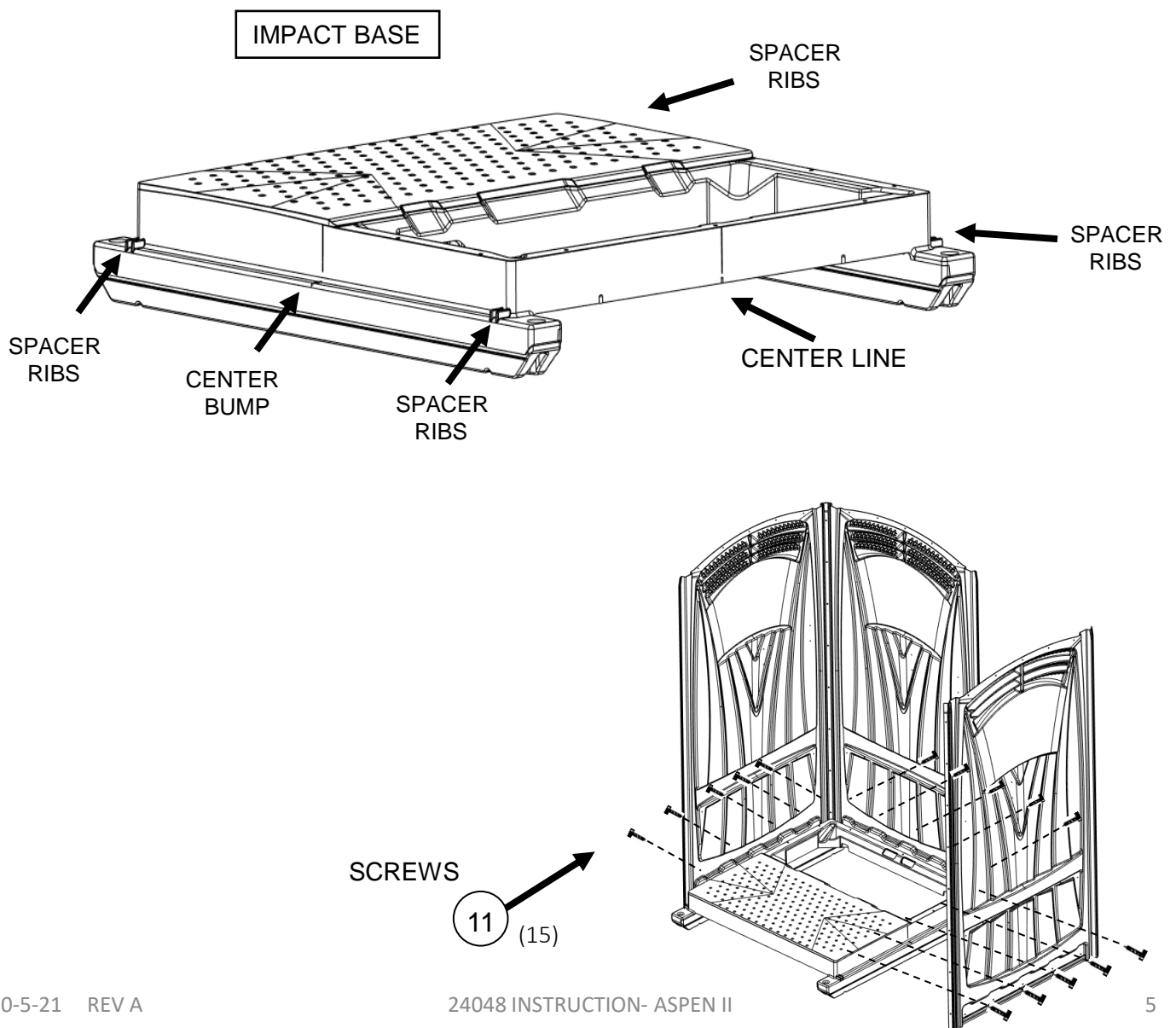
10	23832	1	SHELF- FOR 4" VENT PIPE DGRY
9	14133	1	VENT PIPE- 4 X 62- 1/2 DGRY
8	10570	1	SEAT- TOILET TUF/FRE/LIB BLACK
7	23828	1	URINAL- ROCKET DGRY
6	22918	1	TANK- AX 60 GAL BLOW DGRY
5	22209	1	HOOD- PAPERGRD 3 ROLL DGRY
4	10034	1	BASE ASSY- IMPACT SOLID FLOOR
3	23830	1	ROOF- ASPEN II NATURAL
2	23827	3	DESIGN- ASPEN II PANEL
1	23826	1	DESIGN- ASPEN II FRONT ASSY
ITEM #	PART #	QTY	DESCRIPTION

# 1. FASTEN PANELS TO BASE

IMPACT BASE #10034 SOLID FLOOR

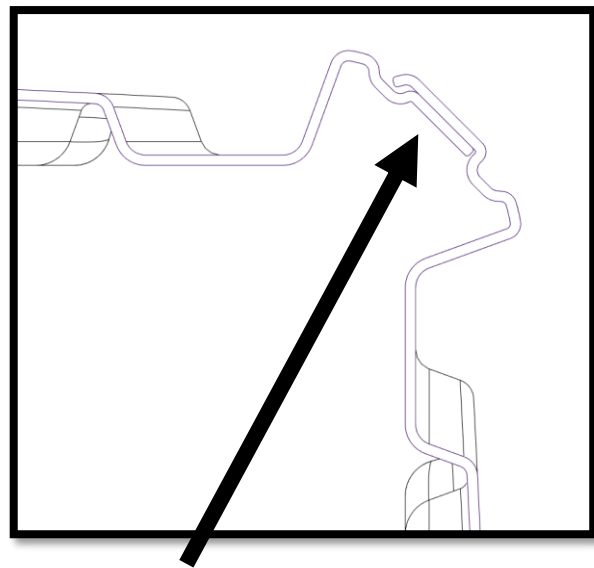
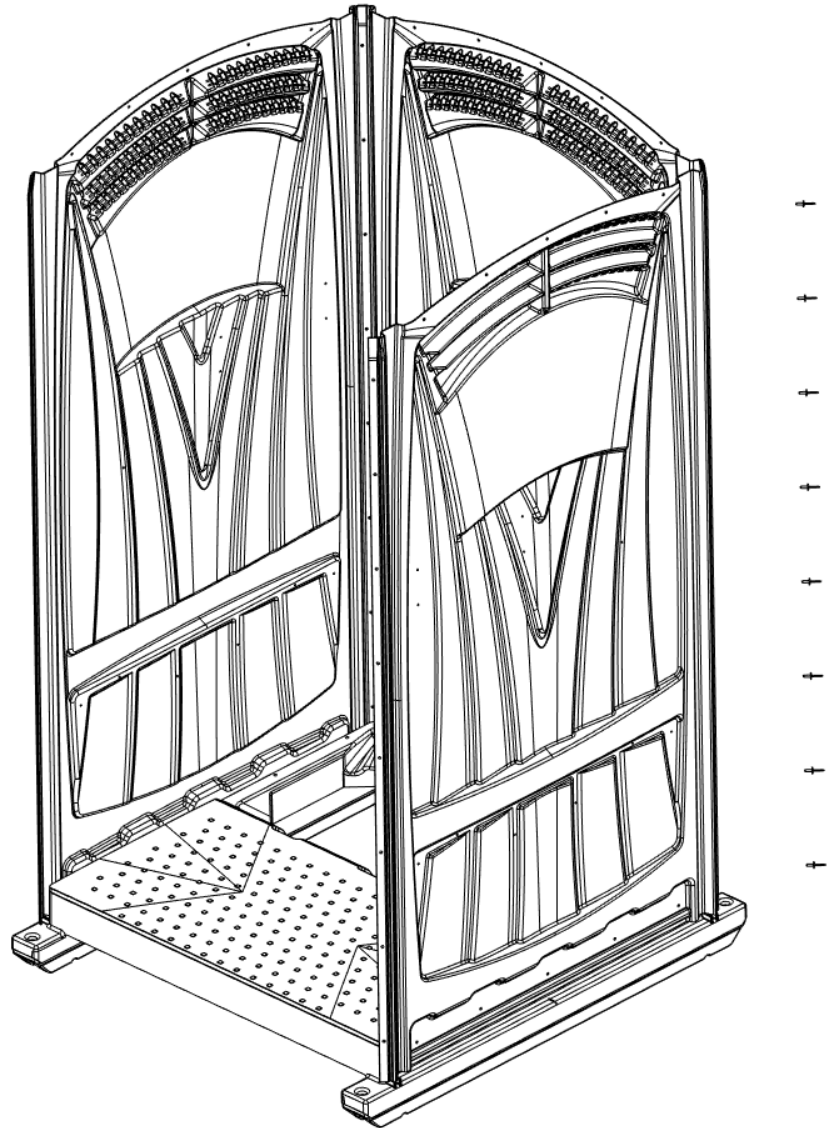
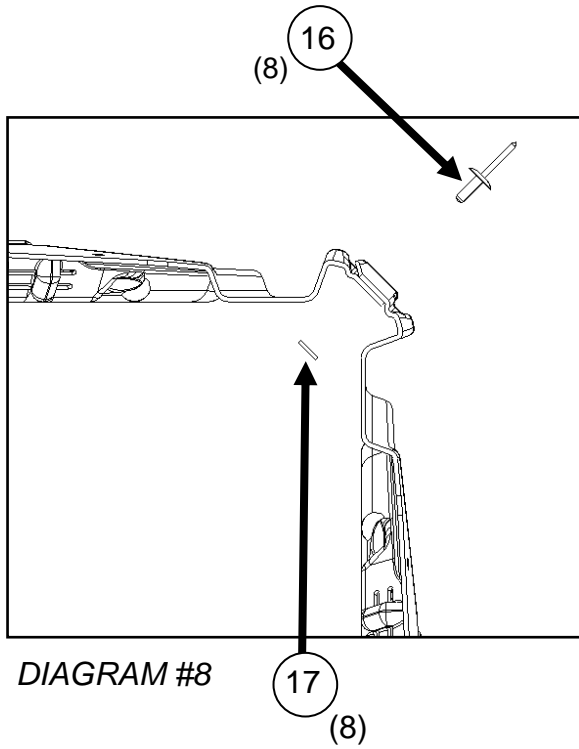
NOTE: USE SAME PROCESS FOR #10033 IMPACT GRID BASE

- Start with panels on side of base. Place bottom edge of panel against top of spacer ribs located at each corner of base.
  - Center panels on base using the center bump on side of base & center hole at bottom of panel, install (5) screws #13860 using 3/8" HEX NUT DRIVER BIT.
  - Place panel on rear of base with holes in panel in line with holes in panels on side of base.  
**Assembly tip: can use 1 screw #13860 in each corner through middle hole in rear panel into middle hole in side panel to hold rear panel in position before installing screws in bottom of panel to base.**
  - Center panel using the centering line at rear of base & align with center hole at bottom of panel, install (5) screws #13860.
- \*\* NOTE: SIDE PANELS MUST BE FLUSH WITH SPACING RIBS AT EACH CORNER. DO NOT OVER TIGHTEN SCREWS**



## 2. RIVET PANELS TOGETHER

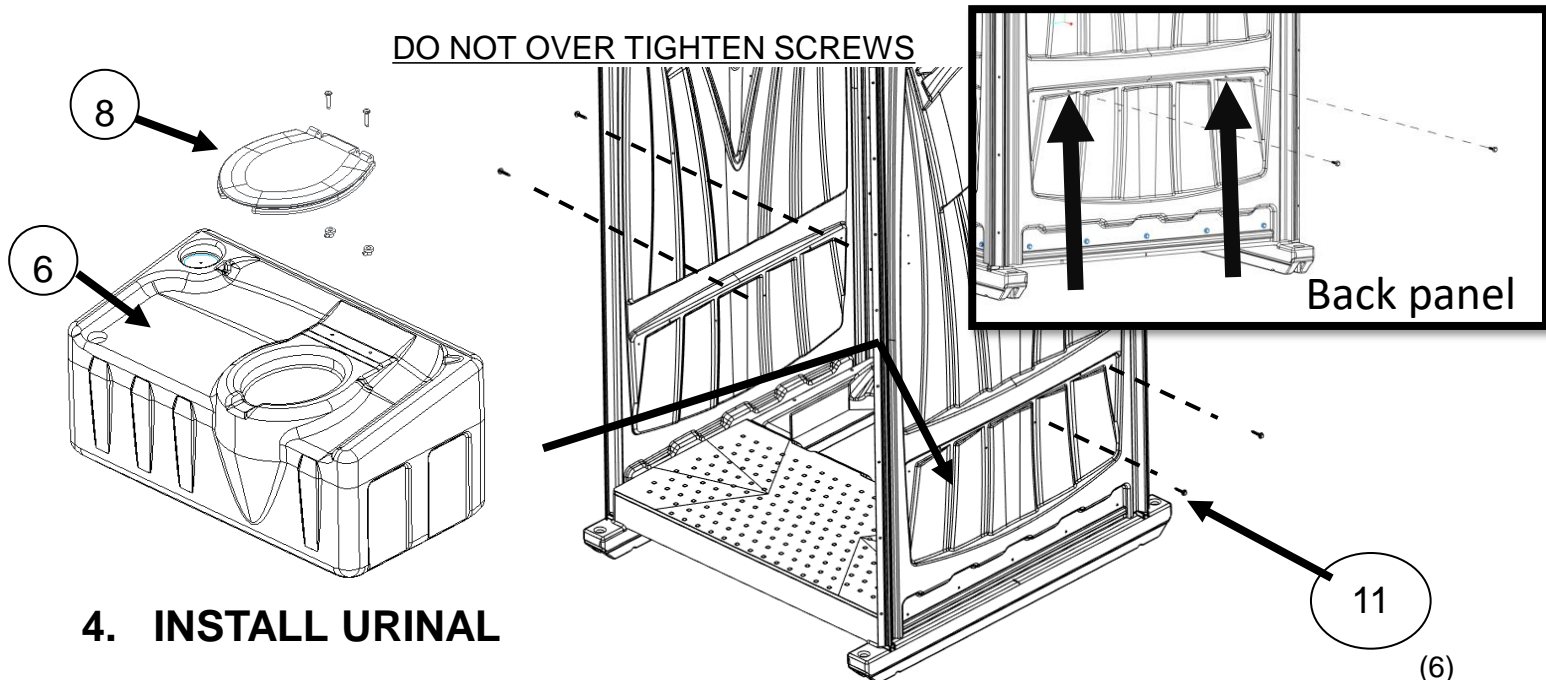
- Rivet Panels together at rear corner using (8) Rivets #11030 & (8) Washers #11315. Note rivet from outside of panel with washer inside.
- Repeat process for remaining rear corner.



Make sure panels overlap exactly like above. Otherwise they will not fit together properly

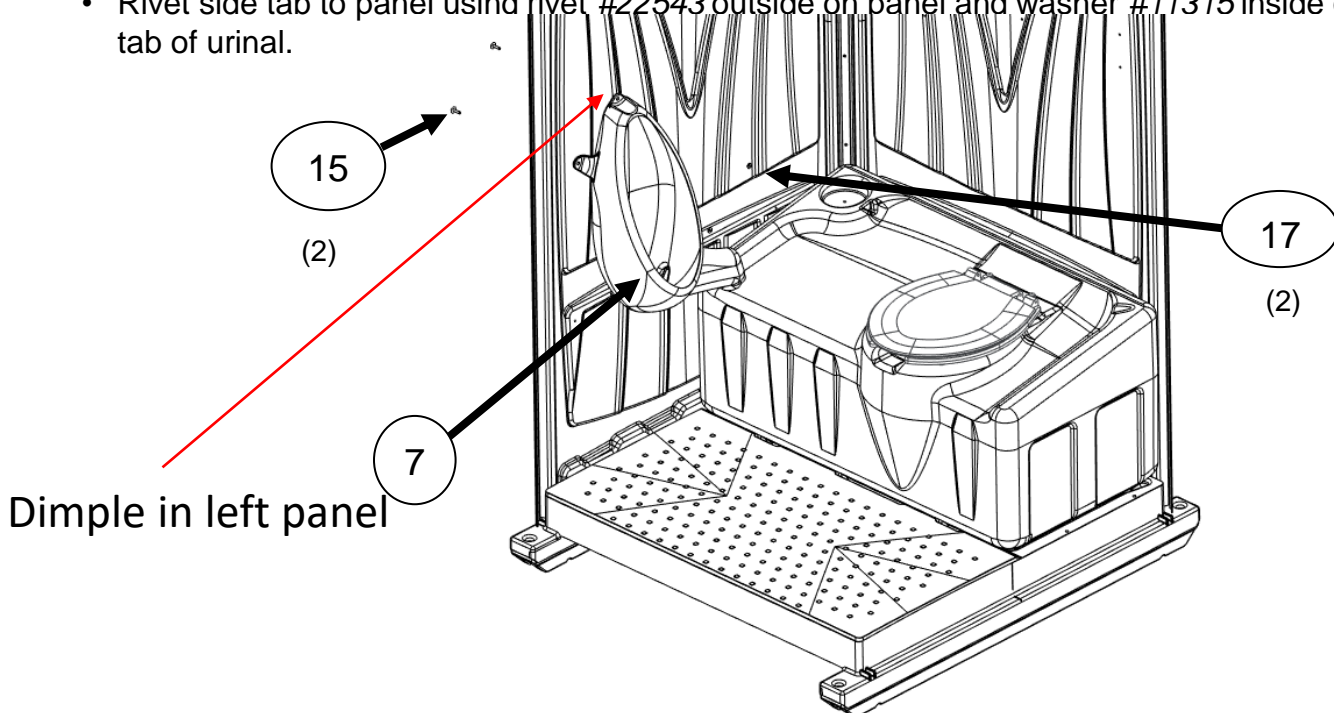
### 3. INSTALL TANK & TOILET SEAT

- Install Toilet Seat #10570 onto Tank #22918, using plastic bolts and nuts provided with seat.
- Place Tank #22918 into Base cradle.
- Push Tank firmly down, see that tank is level, and fasten using (6) Screws #13860 (2 screws in each panel at dimple location in panels as shown) using 3/8" HEX NUT DRIVER BIT, NOTE: DIMPLE LOCATION IN REAR PANEL IS DIFFERENT FROM SIDE PANELS.



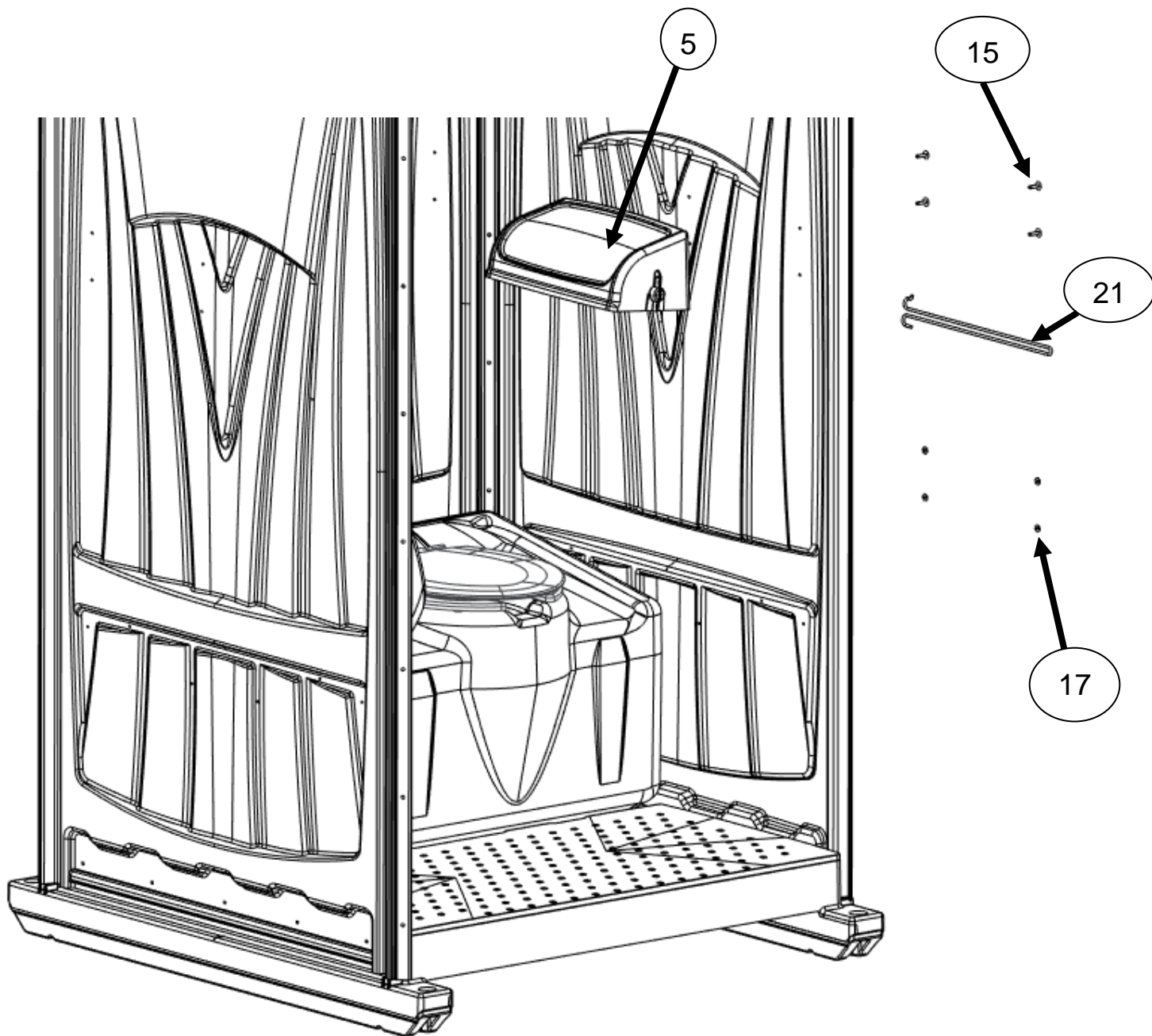
### 4. INSTALL URINAL

- Drill at dimple location on inside of left panel using 1/4 DRILL BIT.
- Install Urinal #23828 drain tube into hole in top of tank front left corner.
- Rivet top of urinal to panel using rivet #22543 outside on panel and washer #11315 inside on urinal.
- Transfer drill through side tab on urinal through panel.
- Rivet side tab to panel using rivet #22543 outside on panel and washer #11315 inside on tab of urinal.



## 5. INSTALL PAPER GUARD

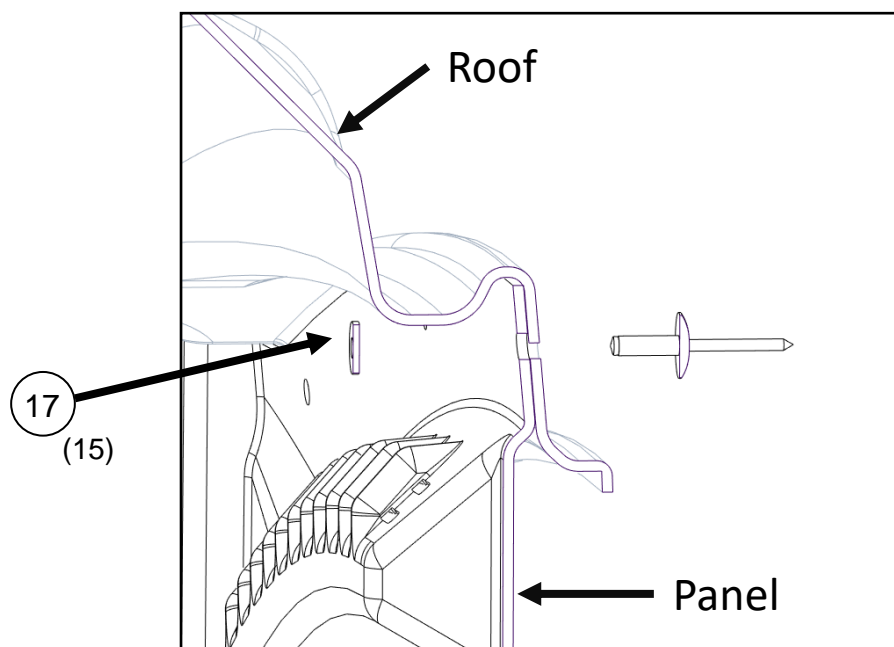
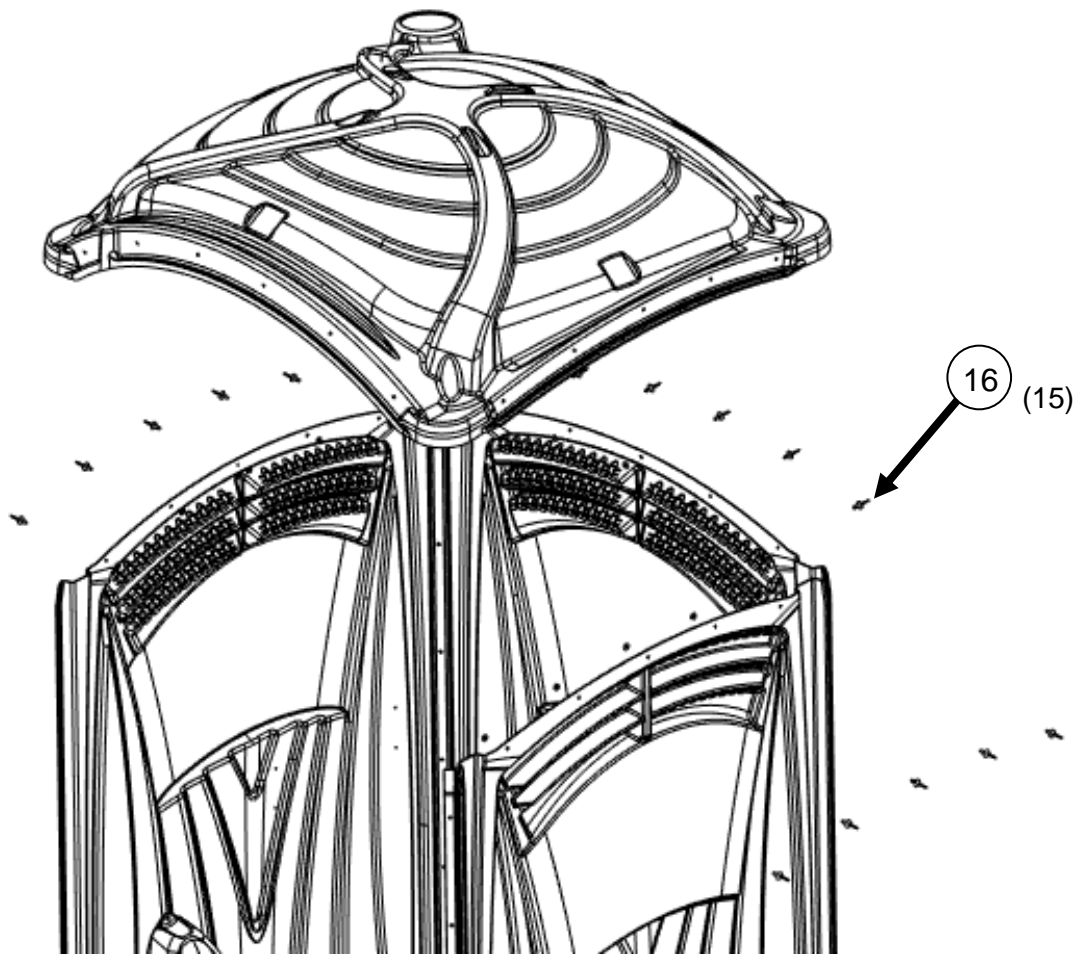
- Locate 4 dimples in right panel & drill at dimples using 1/4 DRILL BIT.
- Rivet Paperguard #22209 using (4) Rivets #22543 outside on panel and (4) Washers #11315 inside on paperguard.
- Insert spindle #22310 in Paper guard as shown.





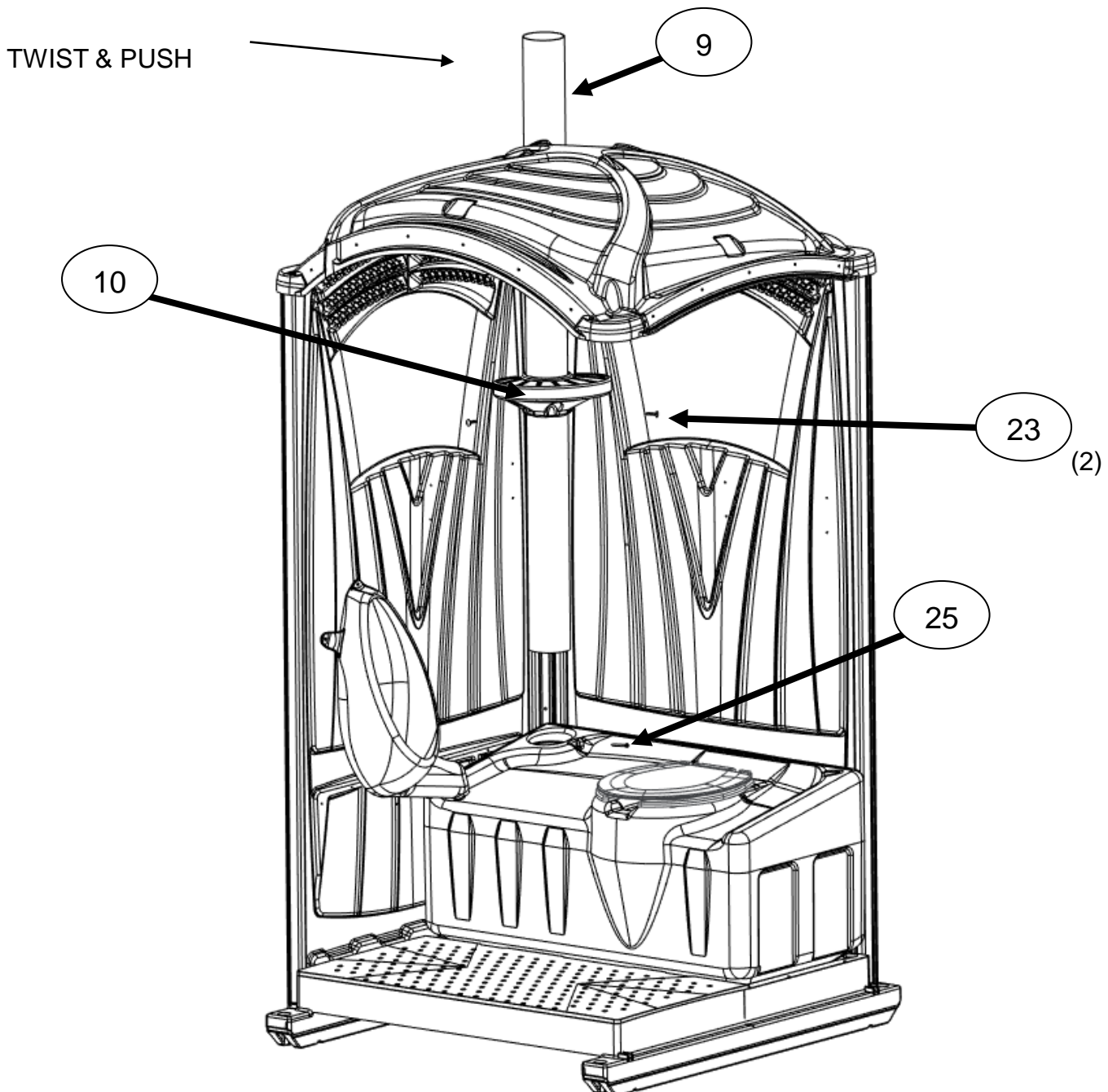
## 6. INSTALL ROOF

- Place Roof #23830 on top of panels..
- Rivet Roof to panels using (15) Rivets #11030 outside on Roof and (15) Washers #11315 inside on panels.



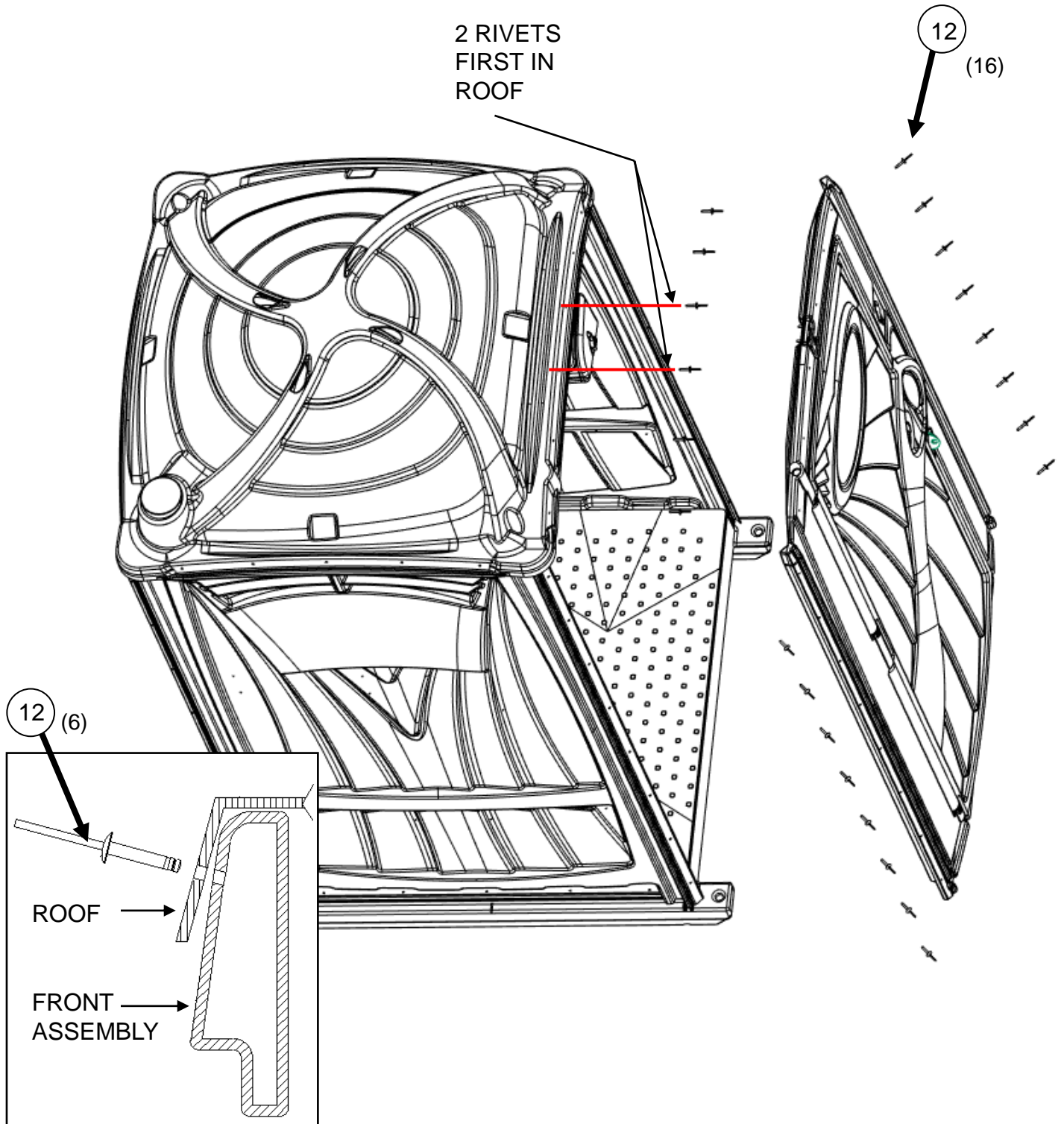
## 7. INSTALL SHELF & VENT PIPE

- Slide shelf #23832 on vent pipe #14133 with flat surface up.
- Push Vent Pipe #14133 up through roof and pull down into collar of tank vent hole (flat surface of shelf facing up).
- Install (1) Screw #18098 into dimple on tank collar through vent pipe wall using #2 PHILLIPS DRIVER BIT. Be sure the screw penetrates the vent pipe to hold it securely.
- Locate shelf on vent pipe up 40 inches from top of tank to top flat surface of shelf. Shelf should be centered with rear corner of unit.
- Transfer drill through 2 pre-drilled holes in bottom of shelf collar (left & right side) into vent pipe using #10 or (3/16") DRILL BIT.
- Rivet shelf with (2) Rivets #22604.



## 8. INSTALL FRONT ASSEMBLY

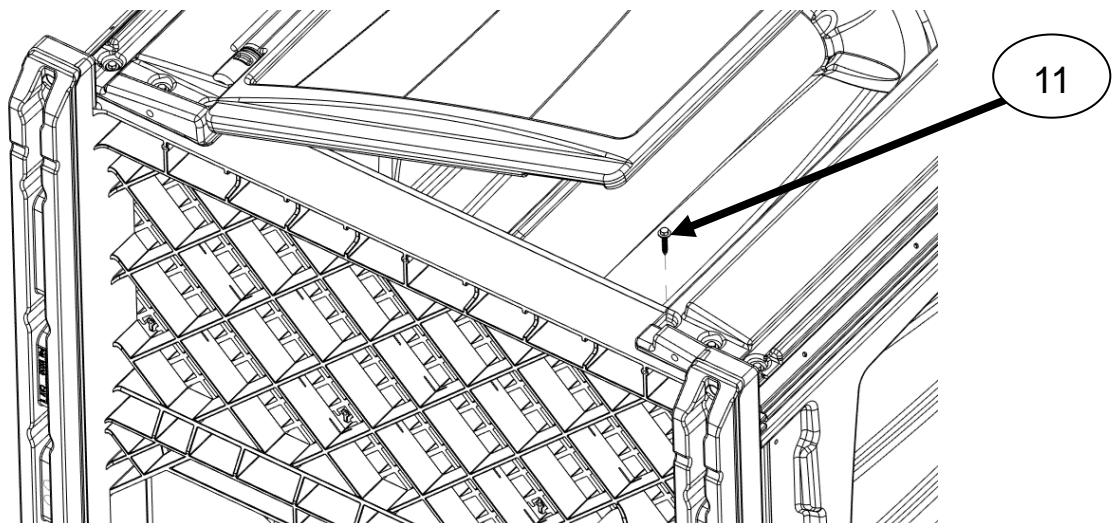
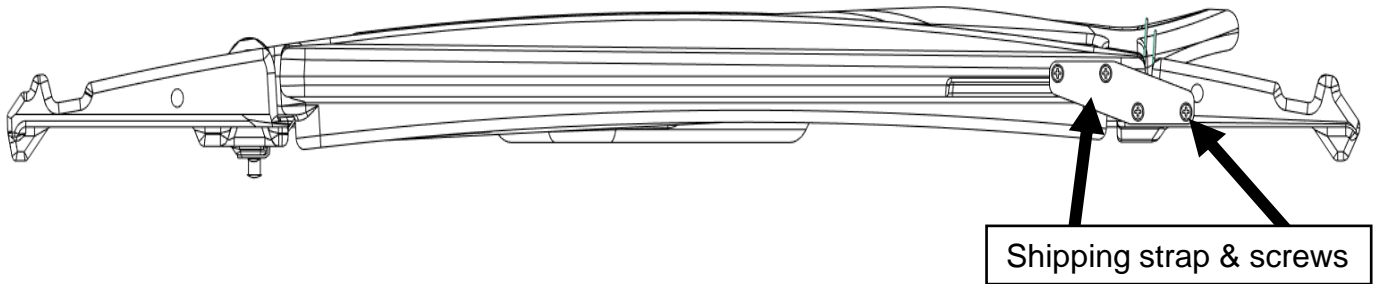
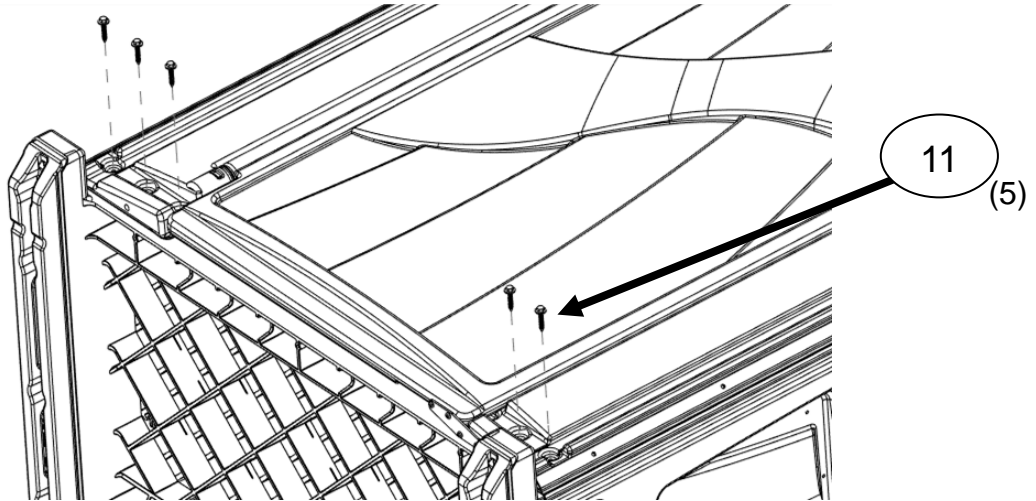
- Rivet Side Panels to Front assembly using (16) Rivets #14427 . Be sure rivet, jamb and panel are all drawn tight together.
- If the top of the jambs are not drilled for the roof rivets, transfer drill through the roof holes into the jambs using a #10 drill bit, 6 places. Take care to only drill through the first wall of the jambs.
- Rivet Roof to Front starting with the center two holes using (2) Rivets #14427
- Install remaining (4) Rivets #14427 in Roof to Front.



## 9. FASTEN FRONT TO BASE

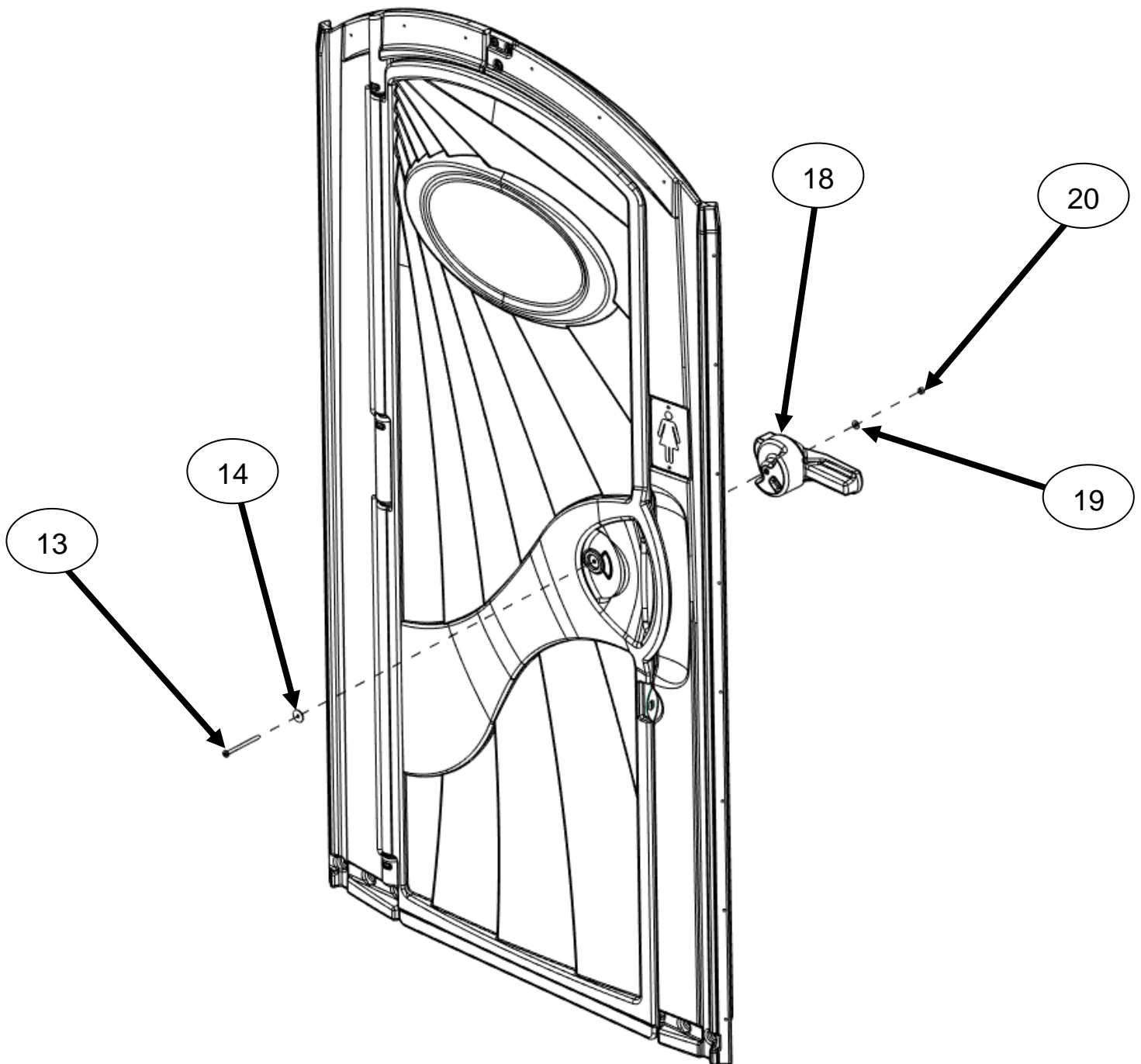
### *IMPACT BASE ( #10034 Solid Floor or #10033 Grid Floor)*

- Lay the toilet on its back.
- Install (5) Screws #13860 in holes at bottom of front assembly using 3/8" HEX NUT DRIVER BIT.
- Remove shipping screws (4) & shipping strap.
- Open door install (1) Screw #13860 on inside of door frame.



## 10. INSTALL HANDLE (Door Latch) ON DOOR

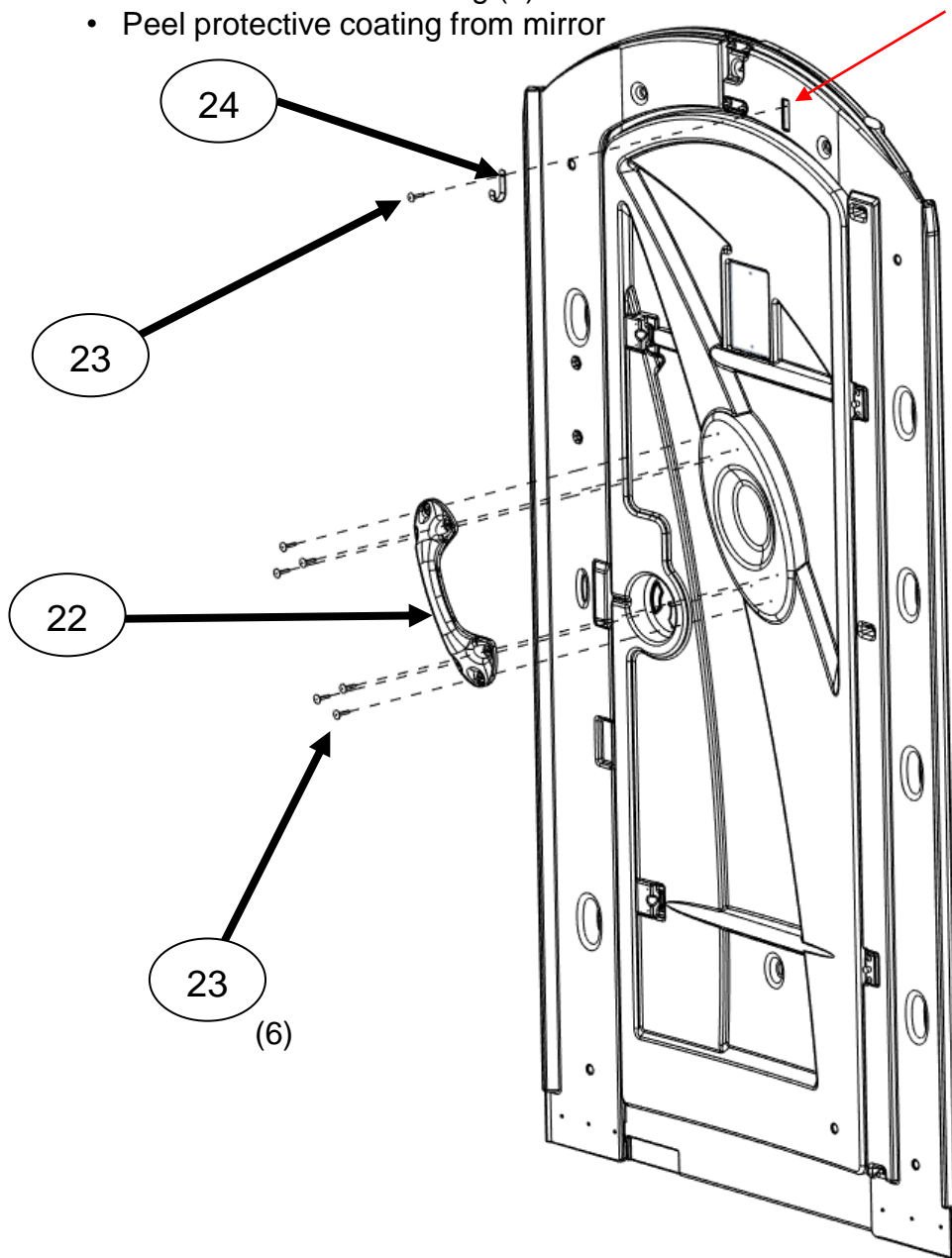
- Place Handle #40057 on inside of door (recessed area).
- From outside door insert screw #40052 (3-1/2") with washer #11360 in hole in door through hole in handle on inside of door.
- Place washer #12382 & nut #16307 on screw into recess of handle.
- Tighten screw/nut using #2 Phillips Head Driver Bit & 7/16" HEX NUT DRIVER or DRIVER BIT.
- DO NOT OVER-TIGHTEN Tighten screw/ nut so handle is snug & not so loose that it could fall to closed position.



## 11. INSTALL COAT HOOK & HANDLE ON DOOR

- Drill at dimple located inside at top of door frame using #10 or (3/16") DRILL BIT.
- Align Coat Hook #10891 hole with hole drilled on inside at top of door frame.
- Rivet coat hook to door frame using Rivet #22604.
- Drill 6 holes on inside of door for hover handle (oval area). Take care to only drill the first wall of door.
- Align holes in Handle #22522 with holes on door.
- Rivet handle to door using (6) Rivets #22604.
- Peel protective coating from mirror

Dimple for coat hook



2530 Xenium Lane North, Minneapolis, MN 55441  
Telephone: 763-553-1900 Fax: 763-553-1905  
800-328-3332 / [www.satelliteindustries.co](http://www.satelliteindustries.co)