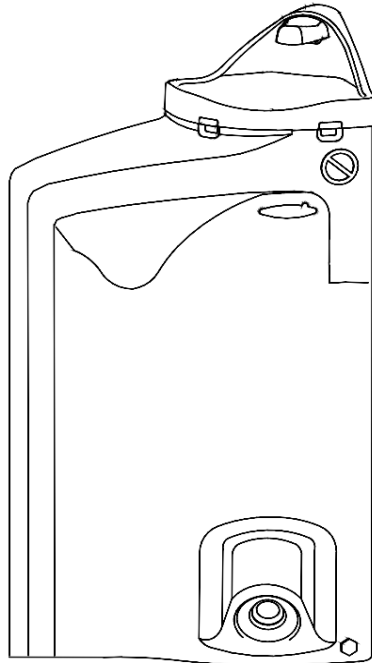


SLIMMATE 3 INSTALLATION INSTRUCTIONS



INTRODUCTION

Satellite portable restrooms and kits must be assembled according to approved assembly procedures. Avoid variations in assembly procedures which could adversely affect product life and warranty.

**CAUTION: THE SLIMMATE II HANDWASH MUST BE CLEANED AND SANITIZED REGULARLY
DO NOT DRINK THE WATER**

23136 HARDWARE SLIMMATE 3

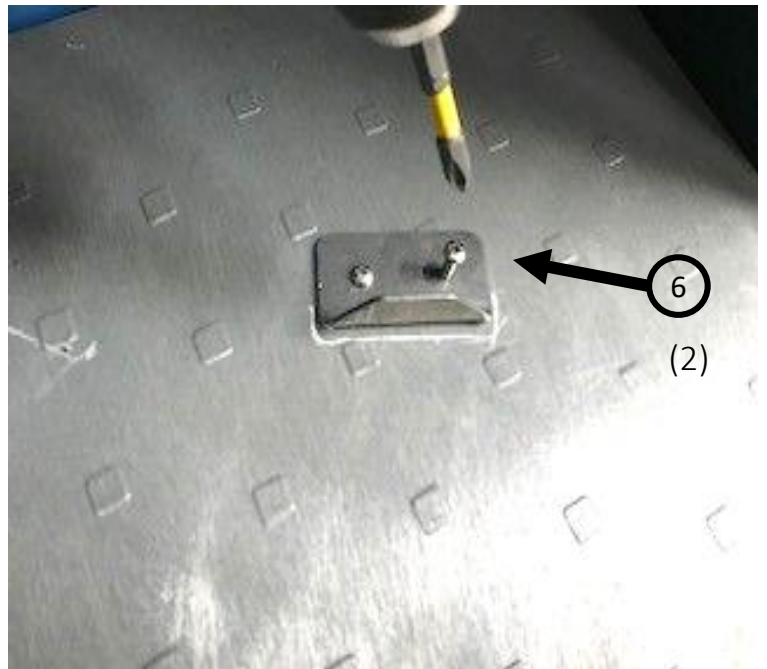
TOOLS:

- CORDLESS DRILL
- ADJUSTABLE WRENCH
- MARKER
- 1/4" DRILL BIT
- 5/16" DRILL BIT
- 1-1/8" HOLE SAW
- #2 PHILLPS SCREW DRIVER OR DRIVER BIT

7	1139-699	1	SINK BRACKET, FLOOR FOR SLIM 12
6	22476	2	SCREW, #10 X 1" PHPN TAP PLTD
5	15469	1	NUT, 1/4-20 STNLS
4	15340	1	WASHER, 1/4 STAR STNLS
3	13440	1	NUT, 1/4-20 WING TYPE A STNLS
2	13439	1	BOLT, 1/4-20 X 1 ELEVTR STNLS
1	11368	1	WASHER, 5/16 FLAT STNLS
ITEM	PART#	QTY	

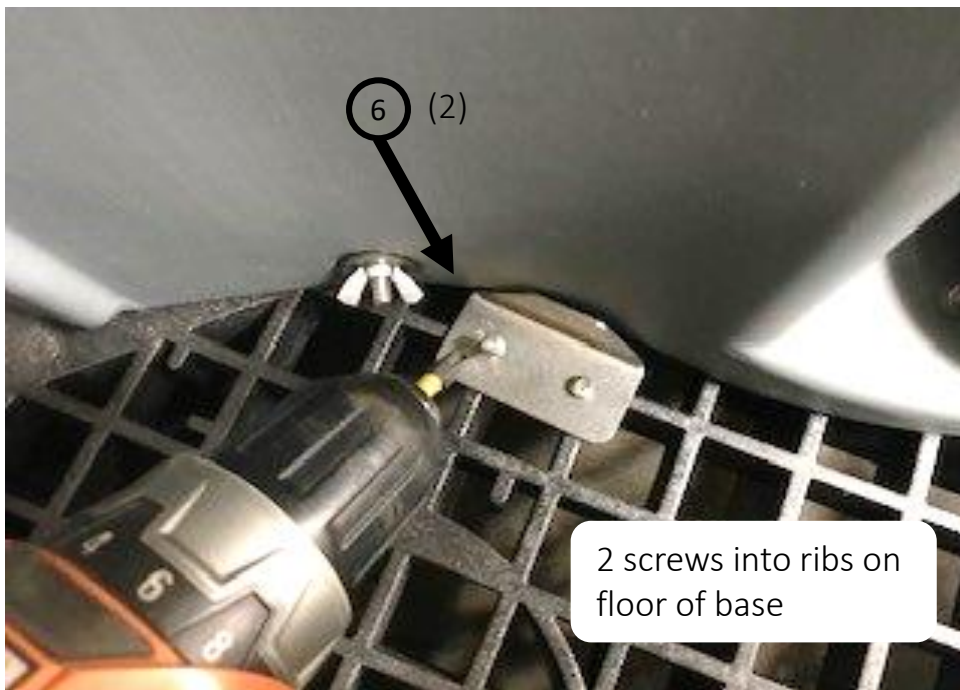
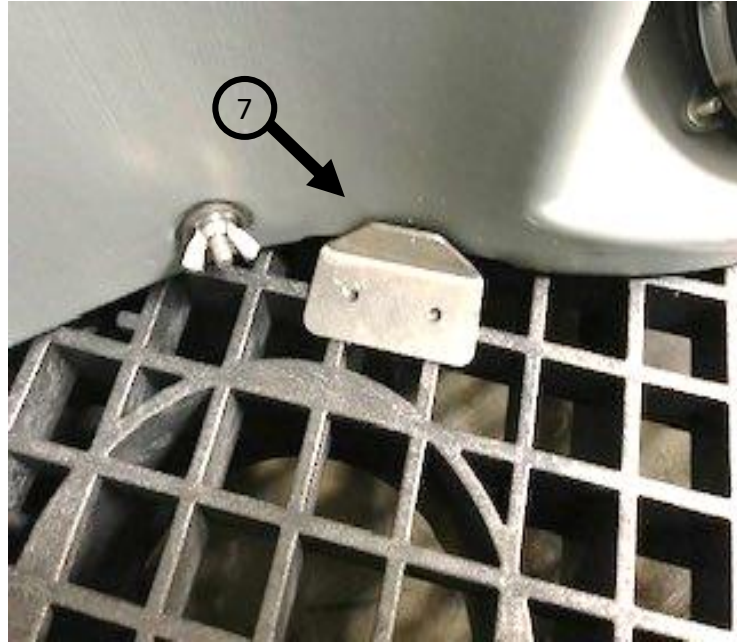
1. FLOOR BRACKET INSTALLATION (Base with SOLID floor):

- Place Slimmate tight in front right corner of unit.
- Place bracket #1139-699 in recess area at bottom of Slimmate 3 tank. With 2 holes in bracket down on floor of base & slide bracket in recess in tank.
- Mark around outside of bracket.
- Remove bracket & Slimmate 3.
- Re-position bracket In area marked on base floor & install 2 screws #22476 in bracket using #2 Phillips screw driver or driver bit.



2. FLOOR BRACKET INSTALLATION (Base with GRID floor):

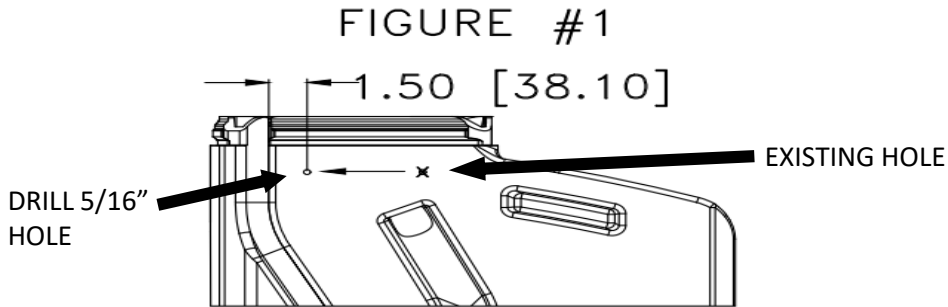
- Place Slimmate tight in front right corner of unit.
- Place bracket #1139-699 at bottom of Slimmate 3 tank. With 2 holes in bracket down on floor of base & facing away from tank.
- Locate bracket so it is near recess in bottom of tank & holes in bracket are over ribs on grid floor of base (holes need to be in line with base floor ribs in order to install screws through bracket into base).
- Install 2 screws #22476 using #2 Phillips screw driver or driver bit.



GLOBAL II / TAURUS UNITS ONLY

3. IF INSTALLING IN GLOBAL II / TAURUS:

- Drill new 5/16" mounting hole (see figure #1).



4. MARK BOLT HOLE:

- Remove basin then place Slimmate tightly in front corner. (see figure #2).
- Mark Panel through top predrilled hole Slimmate. Note mark (1) hole for indicated Restroom (see figure #3).
- Remove Slimmate then drill 1/4" hole through panel at marked location.

FIGURE #2

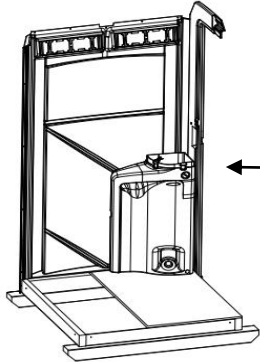
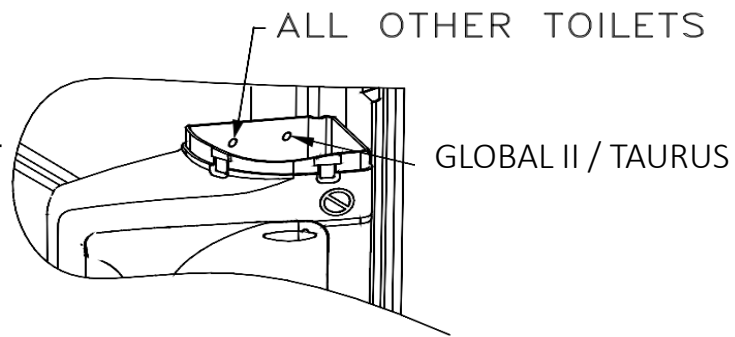
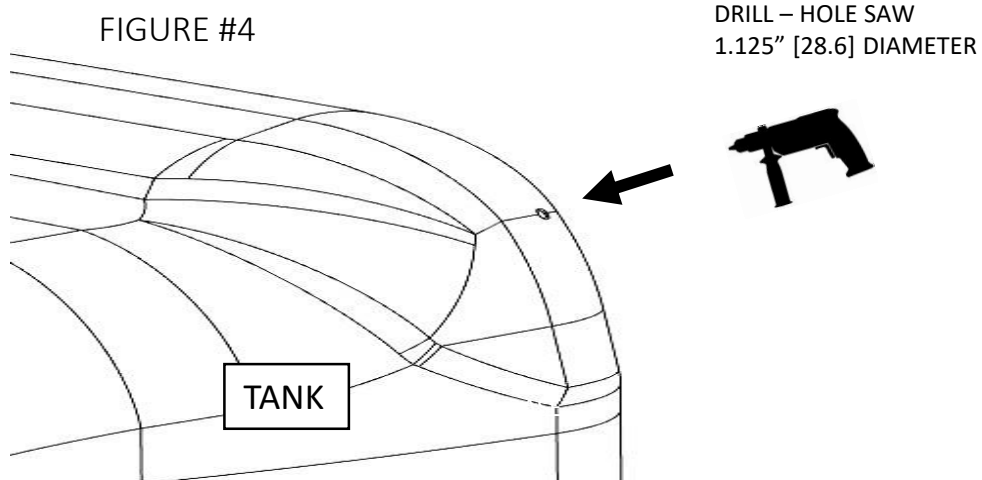


FIGURE #3



5. DRAIN HOSE FITMENT:

- Drill 1-1/8" hole in the upper RIGHT corner of waste tank, use dimple if present (see figure #4).
- [SPECIAL INSTRUCTIONS for **MX2 EAST WEST**: install threaded barb to threaded fitting on waste tank floor. Attach drain hose to barband secure with #12 hose clamp.]



6. FASTEN SLIMMATE TO PANEL:

- Re-install Slimmate into corner. *All hoses must be in the appropriate relief channel.*
- Place drain hose into tank then fasten bolt (see figure #5 & #6).
- Re-install Basin on top of Slimmate.

FIGURE #5

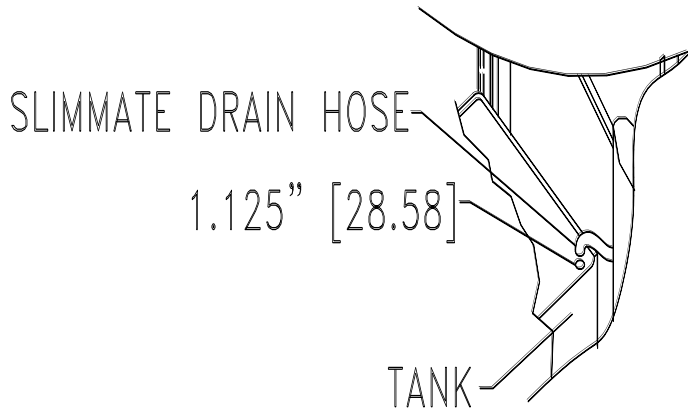
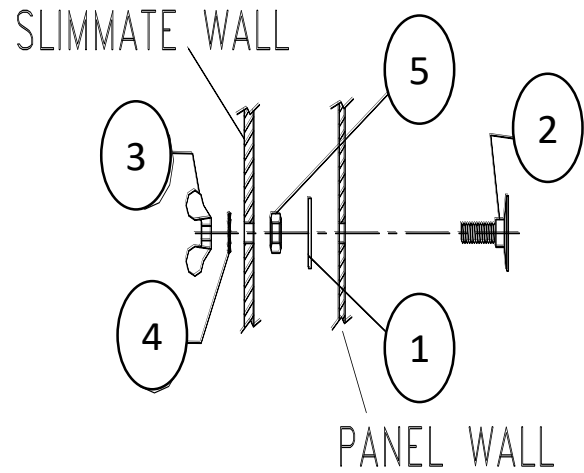


FIGURE #6



2530 Xenium Lane North, Minneapolis, MN 55441
Telephone: 763-553-1900 Fax: 763-553-1905
800-328-3332 / www.satelliteindustries.com