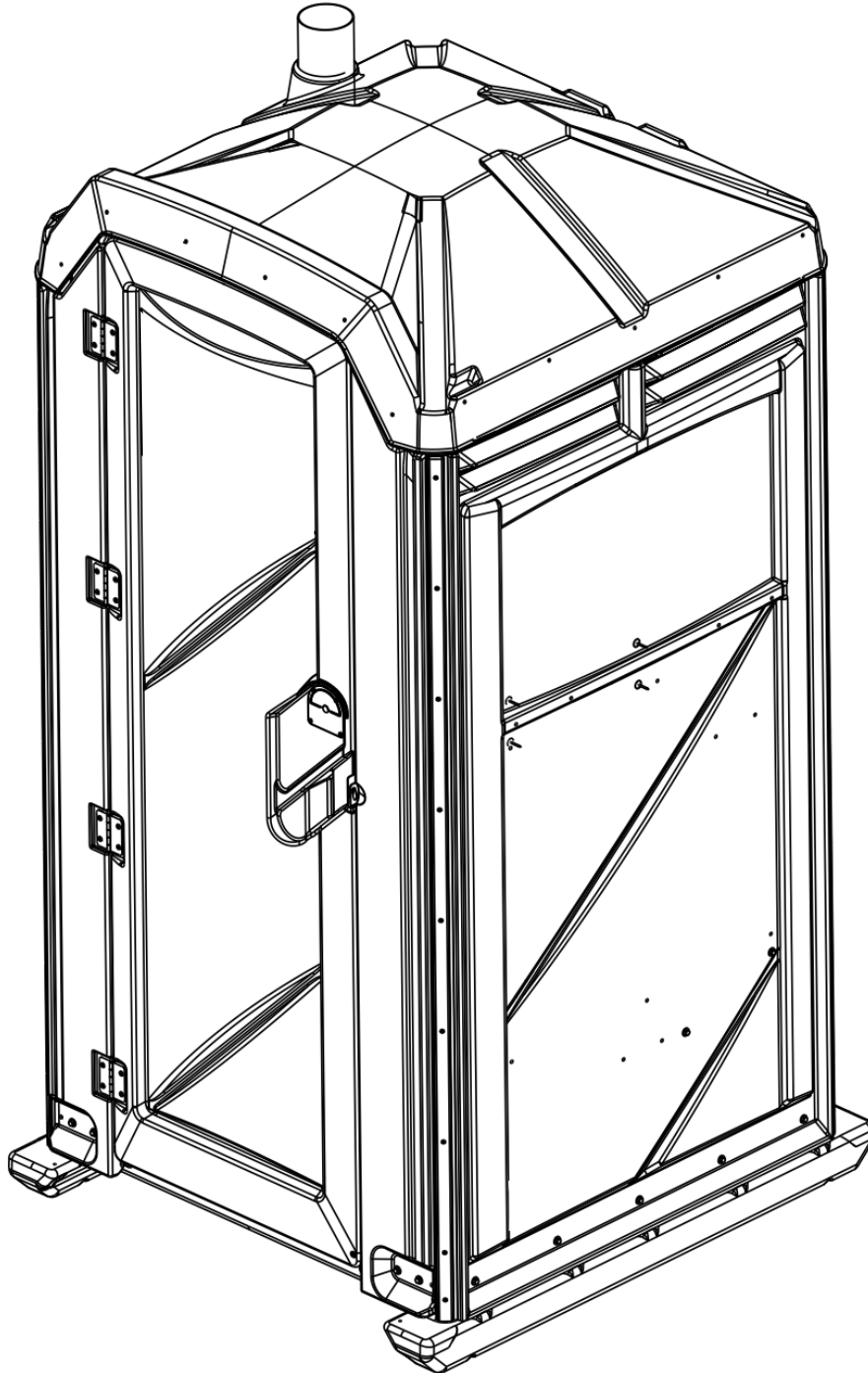


MAXIM 2000 II™

Unit Assembly Instructions

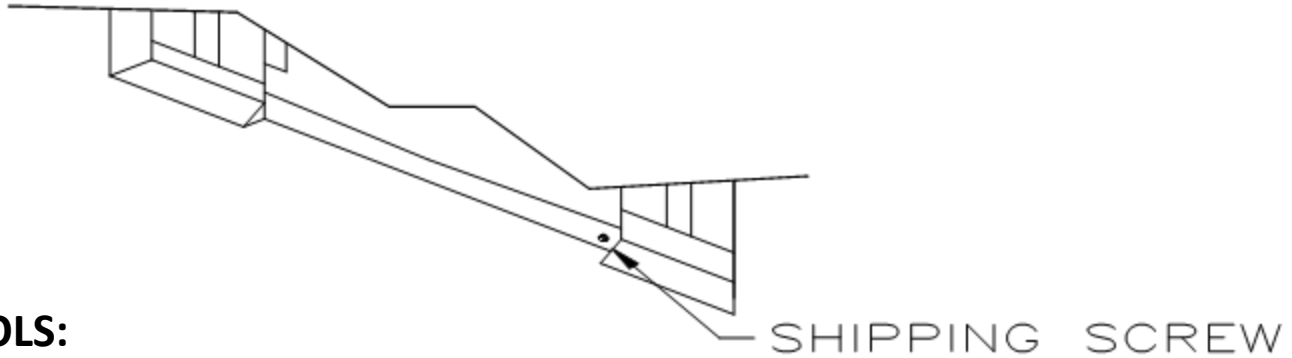


2530 Xenium Lane North, Minneapolis, MN 55441
Telephone: 763-553-1900 Fax: 763-553-1905
800-328-3332 / www.satelliteindustries.com

INTRODUCTION

Satellite portable restrooms must be assembled according to approved assembly procedures. Avoid variations in assembly procedures which could adversely affect product life and warranty.

IMPORTANT: Do not remove shipping screw from door until instructed to in the "Install the Front Assembly" step.

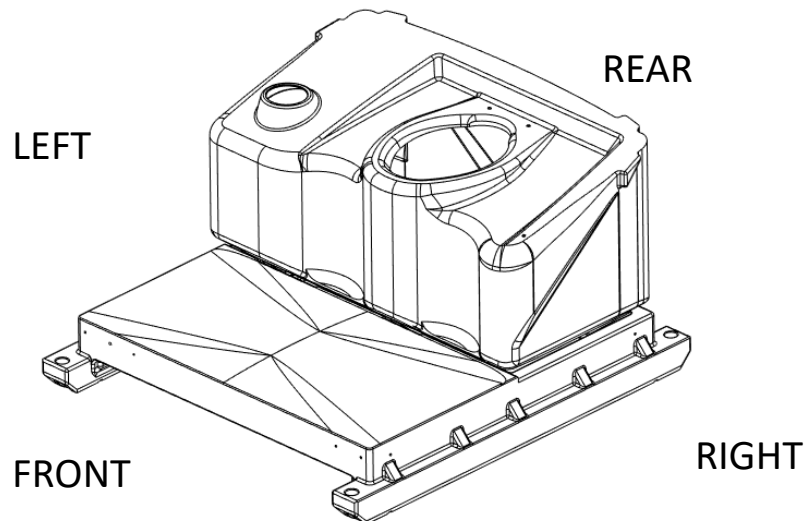


TOOLS:

- 3/8" HEX SOCKET
- #10 (3/16") DRILL BIT
- POP RIVET GUN
- #2 PHILLIPS SCREWDRIVER
- FLAT SCREWDRIVER

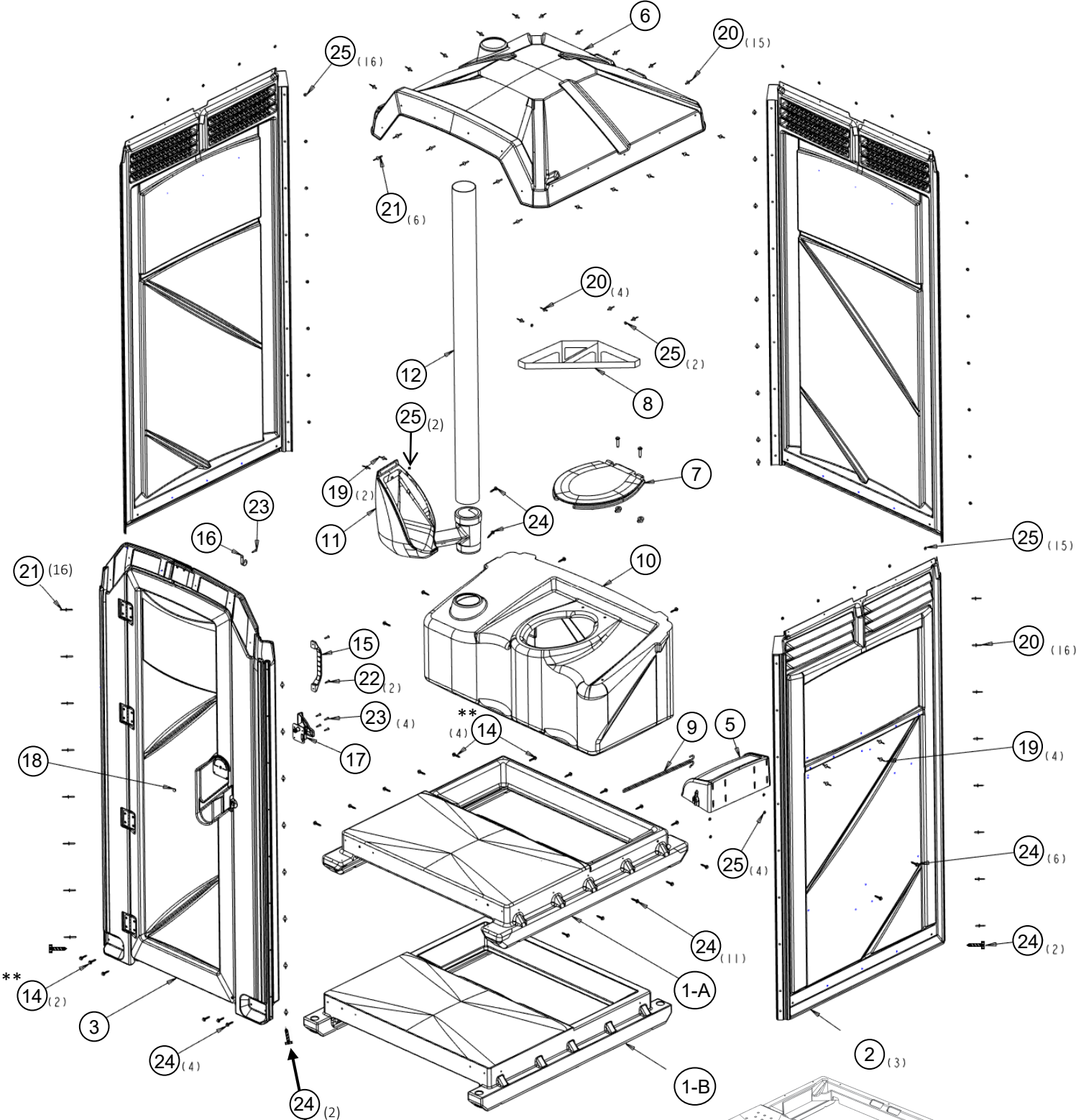
HELPFUL HINTS:

- **KEEP WORK AREA ORGANIZED.**
- Do not open all of the kit boxes, only enough to assemble the toilets you are currently working on.
- Use toilet paper holders for parts bins on multiple unit assembly
- The door latch can be put on at any time. For efficiency this can be done earlier on multiple unit assembly.
- The assembly procedure is written for assembly of a single unit. If assembling multiple units, considerable efficiency can be gained by having a crew work in assembly line fashion.
- An apron with large pockets, is handy for holding parts and tools.



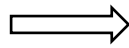
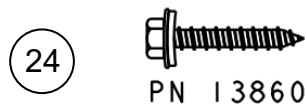
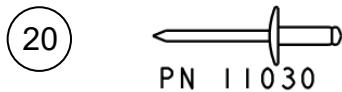
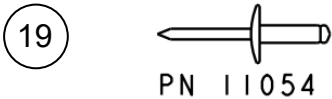
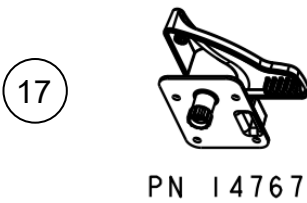
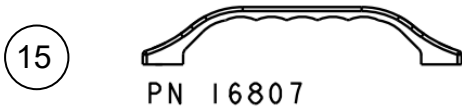
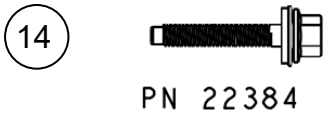
All references to left, right, front and rear correspond to this illustration.

EXPLODED DRAWING



NOTES:

** USED ONLY WITH BLOW MOLDED BASE (22234)



HDWE- MX2 II 16202				
25	11315	39	WASHER, 3/16 RIVET STNLS	
*	24	13860	34	SCREW, #14 X 1-1/2 W/WSH GOLD
	23	18755	5	RIVET, AVDEL SILVER LONG
	22	17030	2	RIVET, AVDEL BLACK
	21	14427	22	RIVET, #66 LSH W/LCK MANDREL
	20	11030	35	RIVET. #66 AAL POP
	19	11054	6	RIVET, #68 AAL POP
	18	10161	1	PLUG, 1/2 INDICATOR BLACK PLST
	17	14767	1	LATCH, RESTROOM PLASTIC
	16	10891	1	HOOK, FLAT COAT STNLS
	15	16807	1	HANDLE, PLASTIC HOVER
**	14	22384	6	BOLT- 1/4-20 X 1-1/4 DOG PNT WSH

MX2 II RESTROOM				
	13	13860	10	SCREW- #14 X 1-1/2 W/WSH GOLD
	12	14133	1	VENT PIPE. 4 X 62-1/2 GREY
	11	14119	1	URINAL, STAND OVER DGRY
	10	14765	1	TANK, MX2 DGRY
	9	22310	1	SPINDLE- PRGRD II 3 ROLL METAL
	8	16075	1	SHELF, MX2 & TUFWAY
	7	14959	1	SEAT, ELONG MX2/MX3/TRS/HT BLK
	6	16167	1	ROOF, MX2 II
	5	22209	1	HOOD- PAPERGRD 3 ROLL DGRY
	4	16202	1	HDWE MX2 II
	3		1	DESIGN, MX2 II FRONT
	2		3	DESIGN, MX2 II PANEL
	1 C	10034	1	BASE ASSY- IMPACT SOLID FLOOR
	1 B	19014	1	BASE, TUFWAY ROTO MOLD DGRY
	1 A	22234	1	BASE- BLOWMOLDED
	ITEM	PART#	QTY	DESCRIPTION

NOTES:

** USED ONLY WITH BLOW MOLDED BASE (22234)

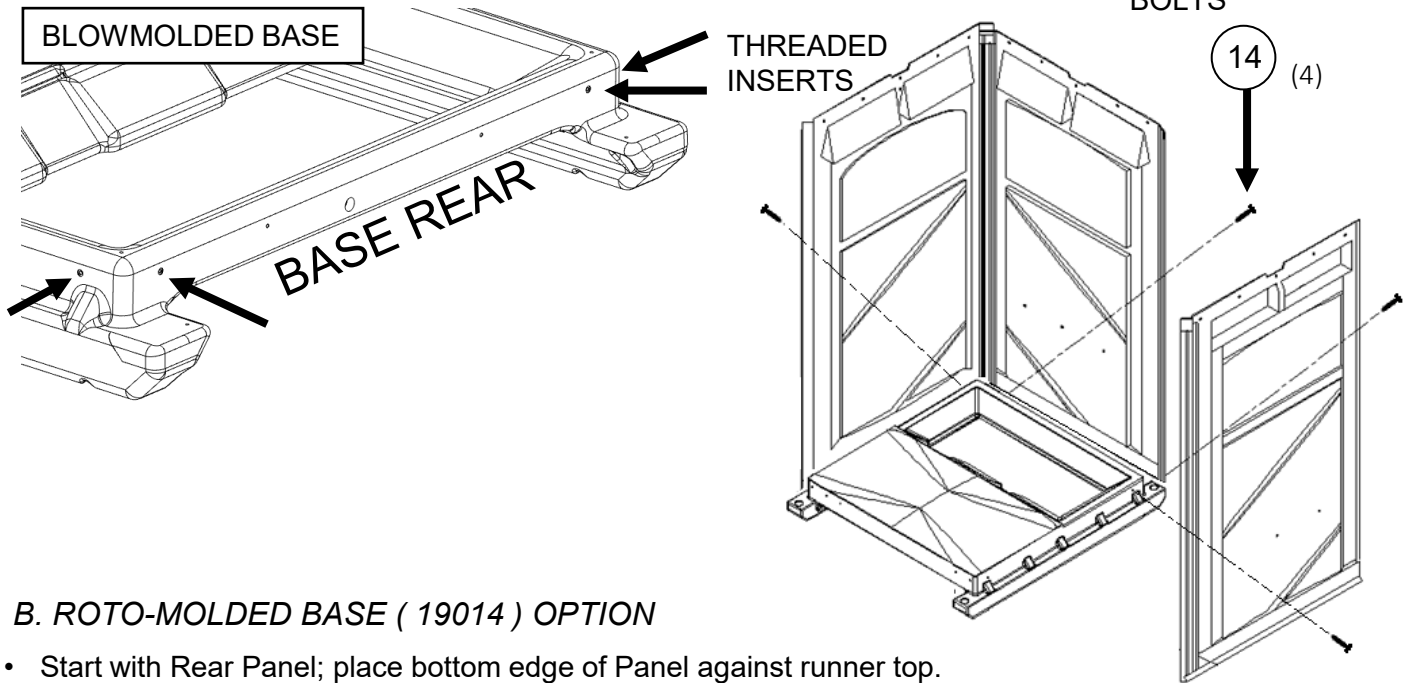
* SEE **ITEM 13** FOR ADDITIONAL SCREWS

1. FASTEN PANELS TO BASE

A. BLOWMOLDED BASE (22234) OPTION

- Start with Rear Panel; place bottom edge of Panel against runner top.
- Align end Panel holes with threaded inserts of base and install (2) Bolts # 22384
- Install (3) Screws # 13860 in remaining Panel holes.
- Place side panel on base; align rear Panel hole with threaded insert & install Bolt # 22384
- Insure side Panels are level to base, then install (4) Screws # 13860 in remaining Panel holes.
- Repeat process for remaining panel.

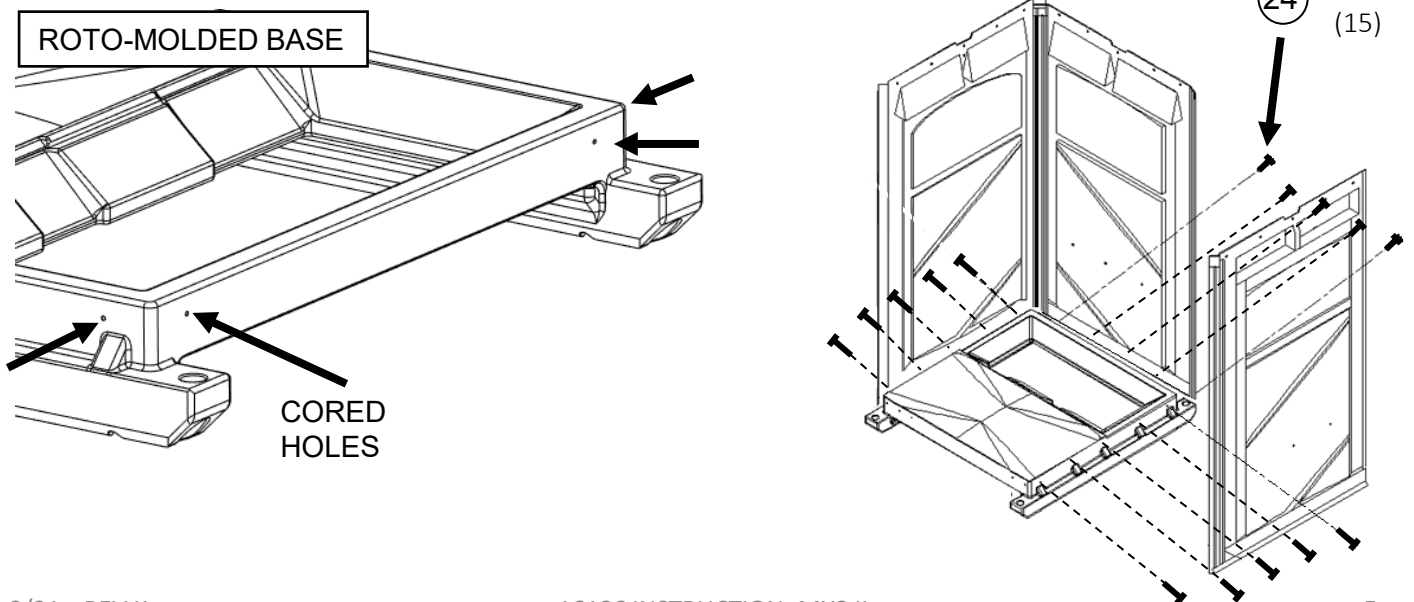
DO NOT OVER TIGHTEN



B. ROTO-MOLDED BASE (19014) OPTION

- Start with Rear Panel; place bottom edge of Panel against runner top.
- Align end Panel holes with cored holes of base and install (2) screws # 13860.
- Install (3) Screws # 13860 in remaining Panel holes.
- Place side panel on base; align end Panel holes with cored holes of base & install (2) screws # 13860.
- Install (3) Screws # 13860 in remaining Panel holes.
- Repeat process for remaining panel.

DO NOT OVER TIGHTEN

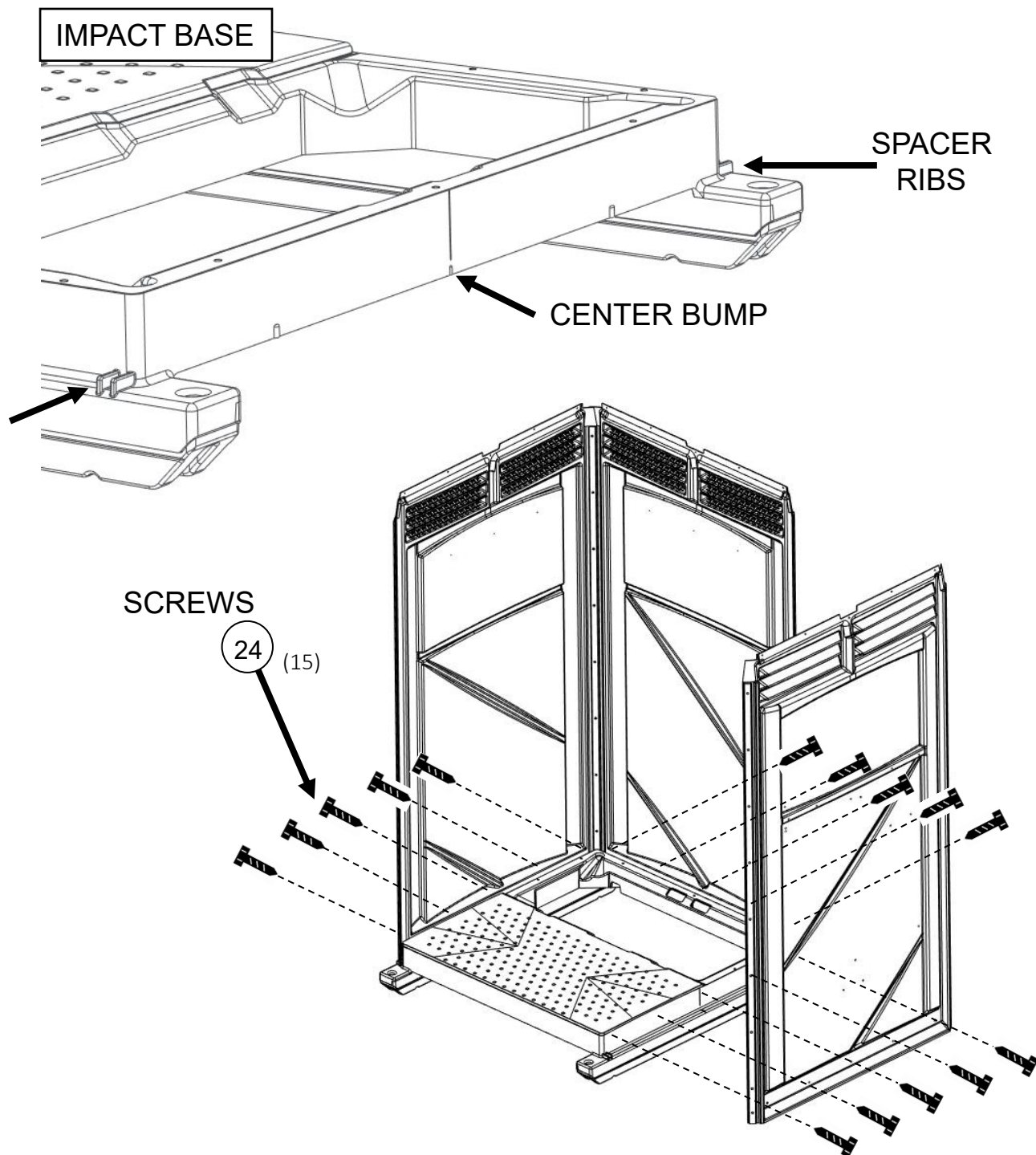


C. IMPACT BASE (10034) OPTION

NOTE: USE SAME PROCESS FOR 10033 GRID BASE

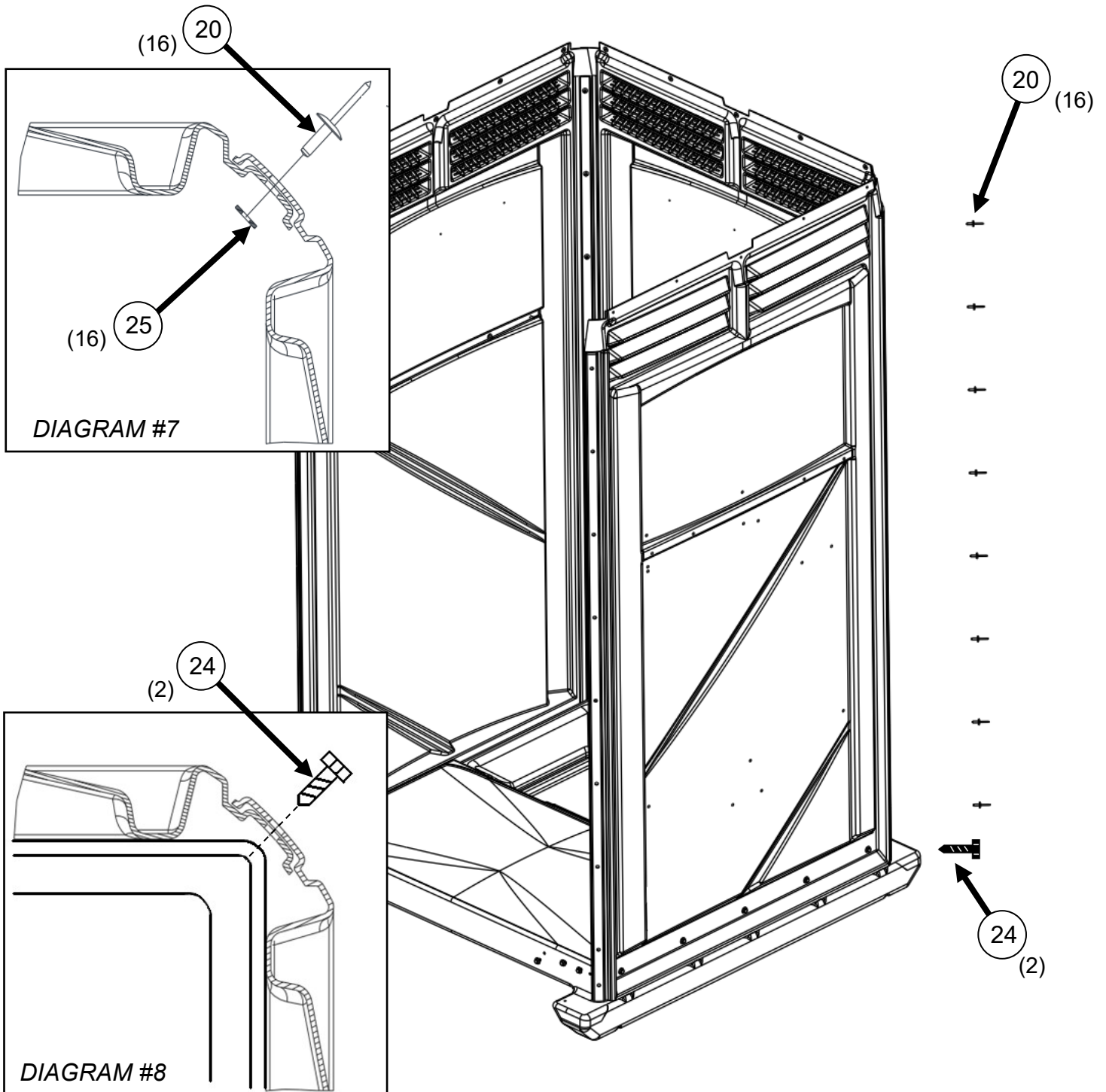
- Start with Rear Panel. Place bottom edge of Panel against top of spacer ribs, located at each corner.
- Center panel using the centering bump as a reference.
- Install (5) Screws # 13860.
- Place side panel on base; center panel using the centering bump, align corner rivet holes, install (5) screws # 13860.
- Repeat process for remaining panel.

** **NOTE: SIDE PANELS MUST BE FLUSH WITH SPACING RIBS AT EACH CORNER.**
DO NOT OVER TIGHTEN SCREWS



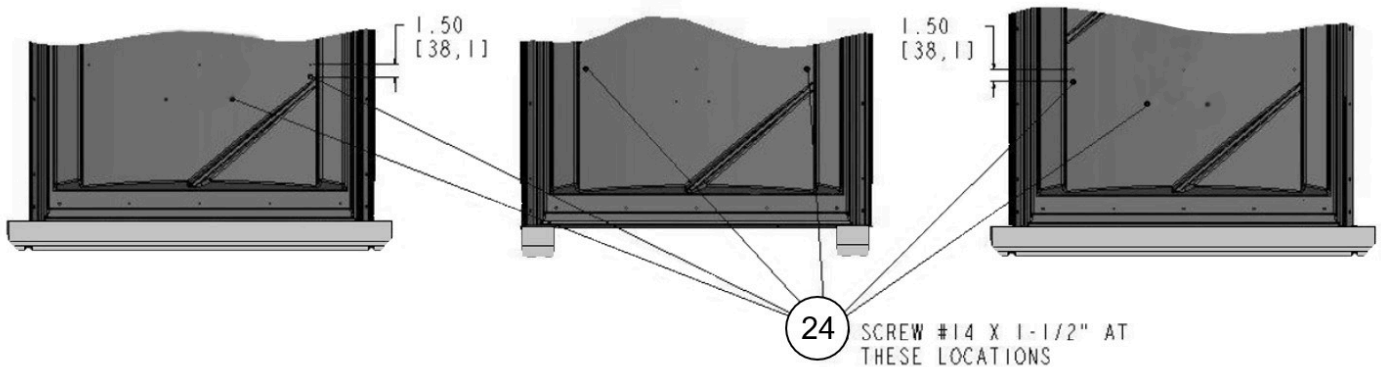
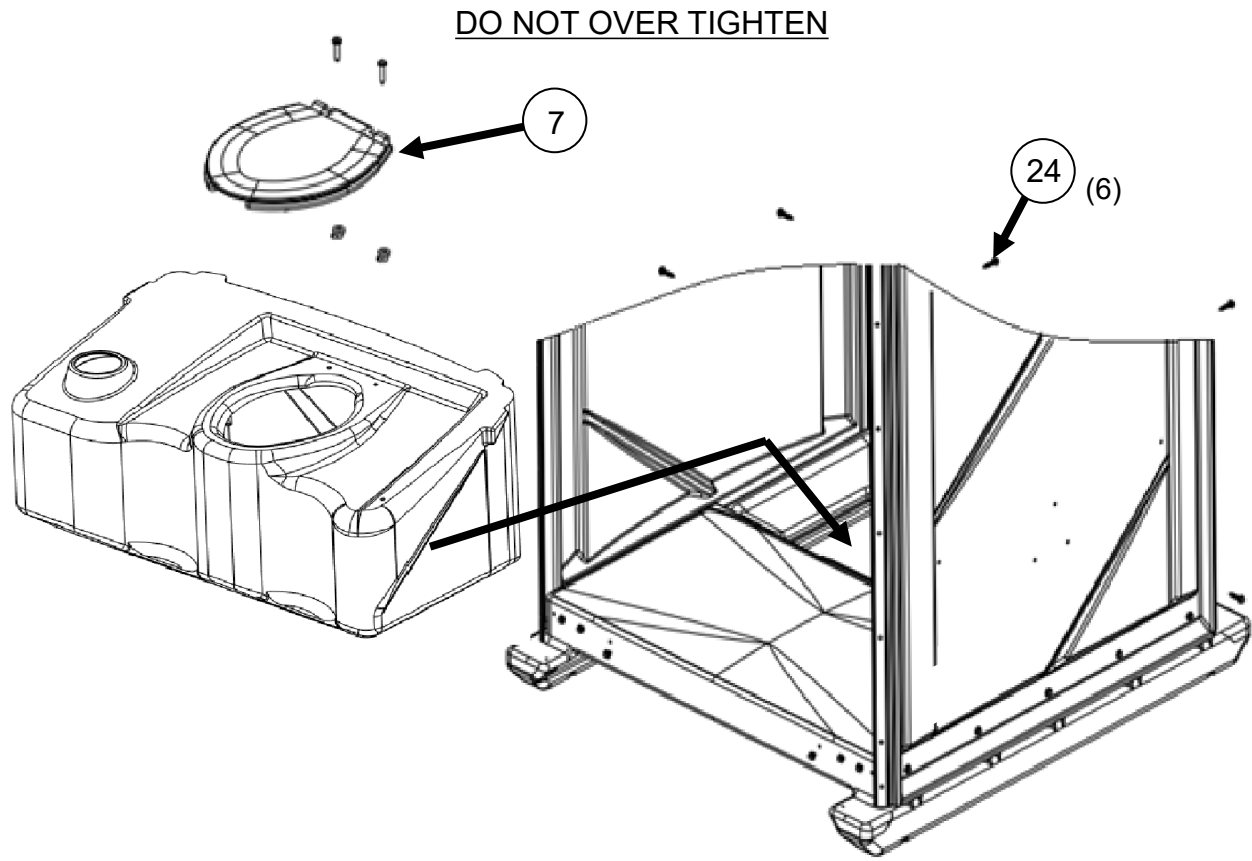
2. RIVET PANELS TOGETHER

- Rivet Panels together using (8) Rivets #11030 & (8) Washers #11315.
- Note rivet from outside with washer inside. (see diagram # 7)
- Fasten bottom corner using Screw #13860 Drive screw into base corner(see diagram # 8)
- Repeat process for remaining panel.



3. INSTALL TANK & TOILET SEAT

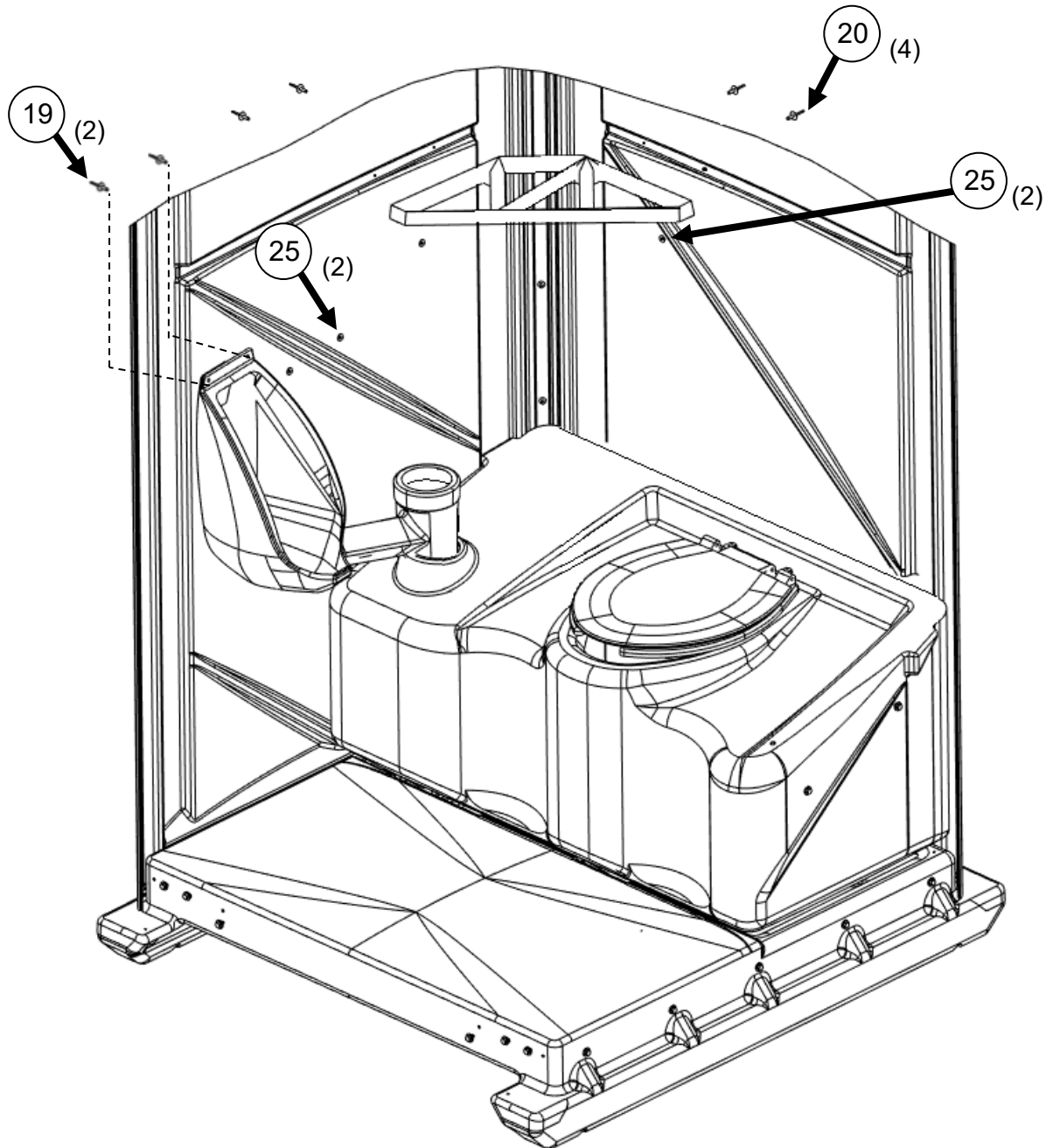
- Install Toilet Seat #14959 onto Tank #14765, using plastic bolts and nuts provided with seat.
- Place Tank #14765 into Base cradle.
- Push Tank firmly down and fasten using (6) Screws #13860 .



NOTE: Screws must not be visible from interior of restroom.

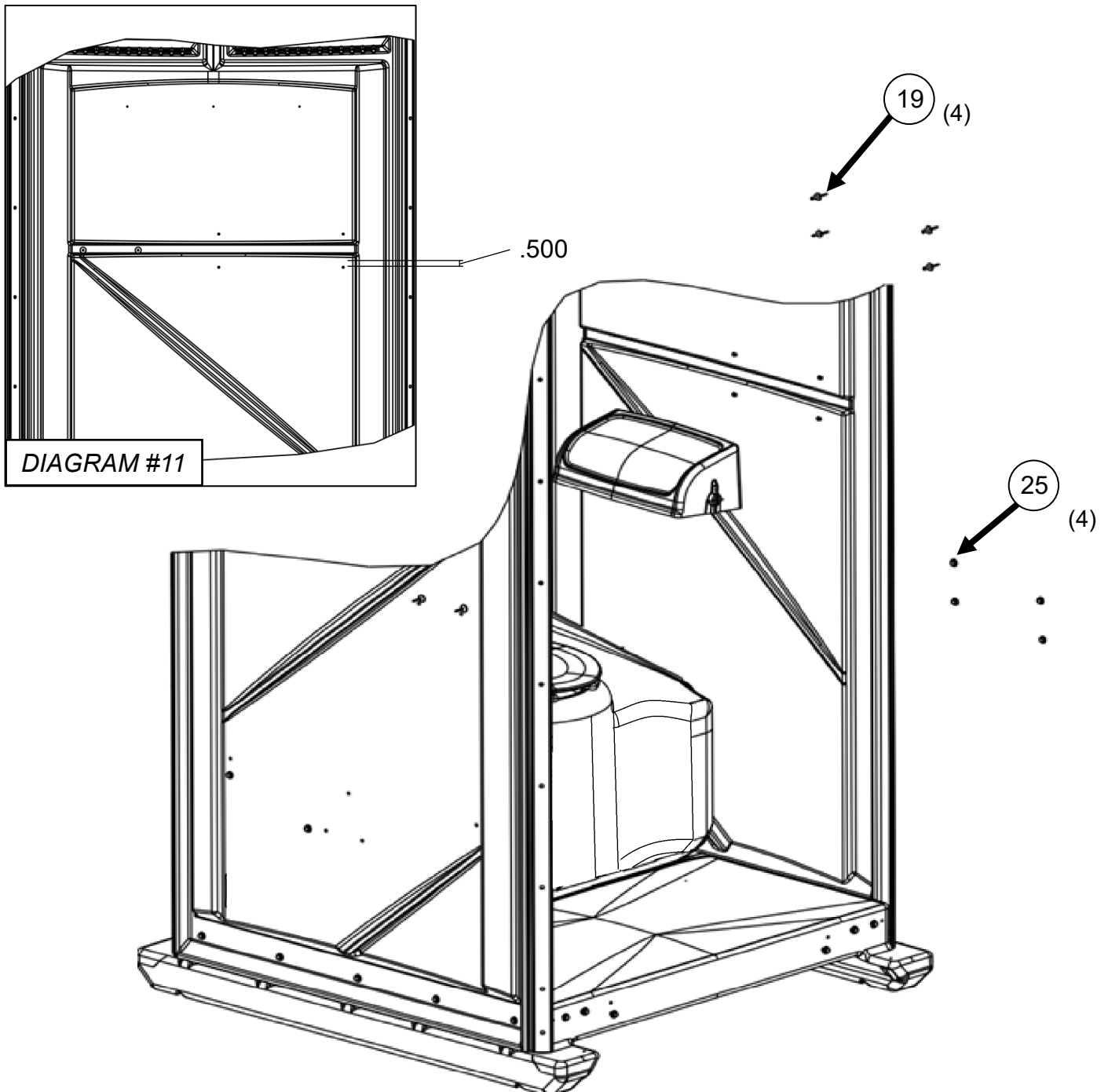
4. INSTALL SHELF & URINAL

- Drill dimples for Shelf #16075 in left rear corner .
- Align Shelf with drilled holes. (*Drill from outside*)
- Rivet using (4) Rivets #11030 and (2) Washers #11315. (2 persons required)
Note rivets are from the outside & washers are on the inside of shelf.
- Install Urinal #14119 drain tube into tank vent hole.
- Level Urinal and transfer drill through Urinal into left side Panel.
- Rivet using (2) Rivets #11054 and (2) Washers #11315



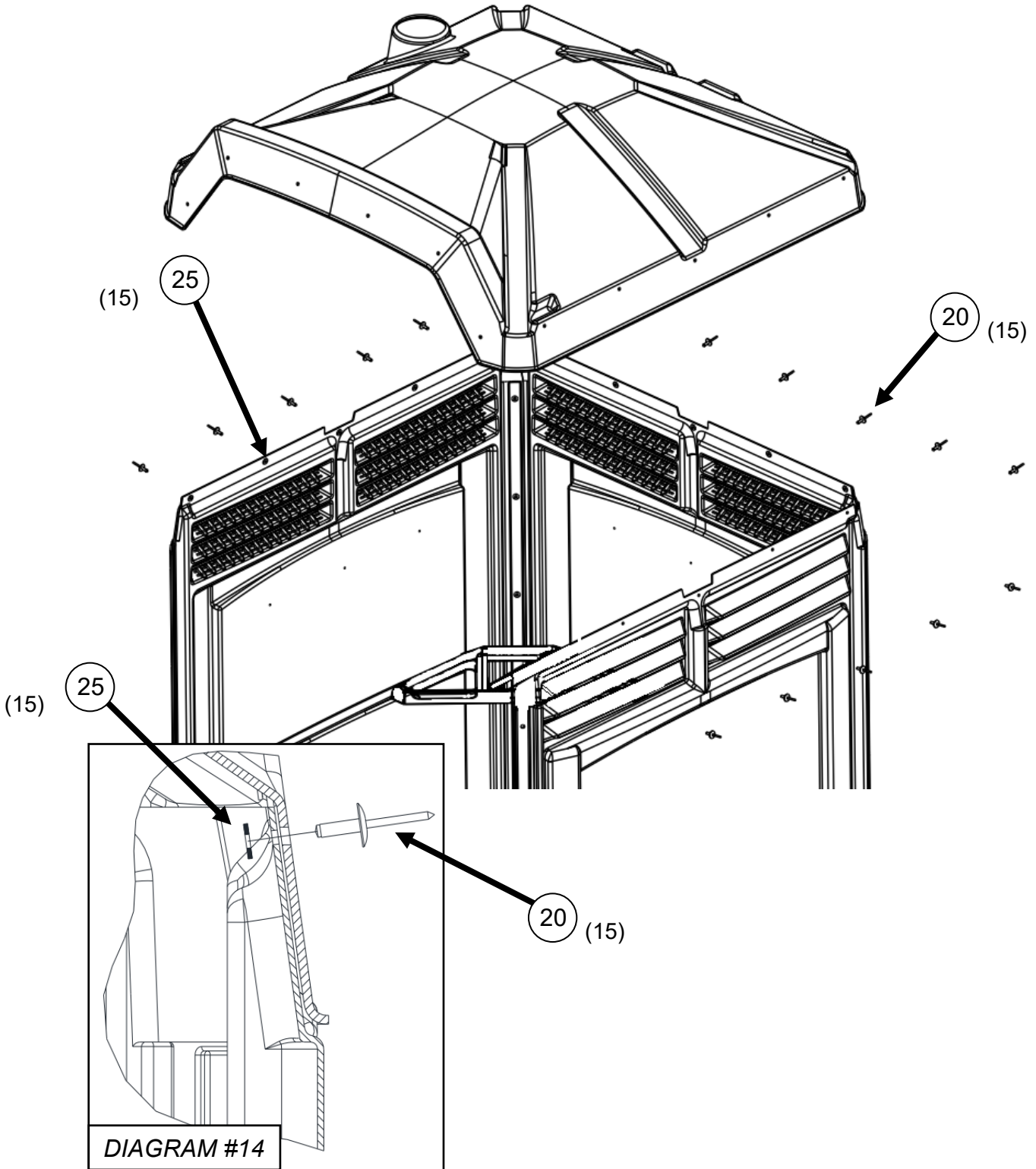
5. INSTALL PAPER GUARD

- Locate & drill the lower right hole in Panel, drill $\frac{1}{2}$ " above existing dimple. (see diagram # 11 below)
- Rivet in lower right hole of Paperguard #22209 using Rivet #11054 and Washer #11315.
- Level Paperguard and transfer drill through Paperguard into right side Panel.
- Rivet using (3) Rivets #11054 and (3) Washers #11315



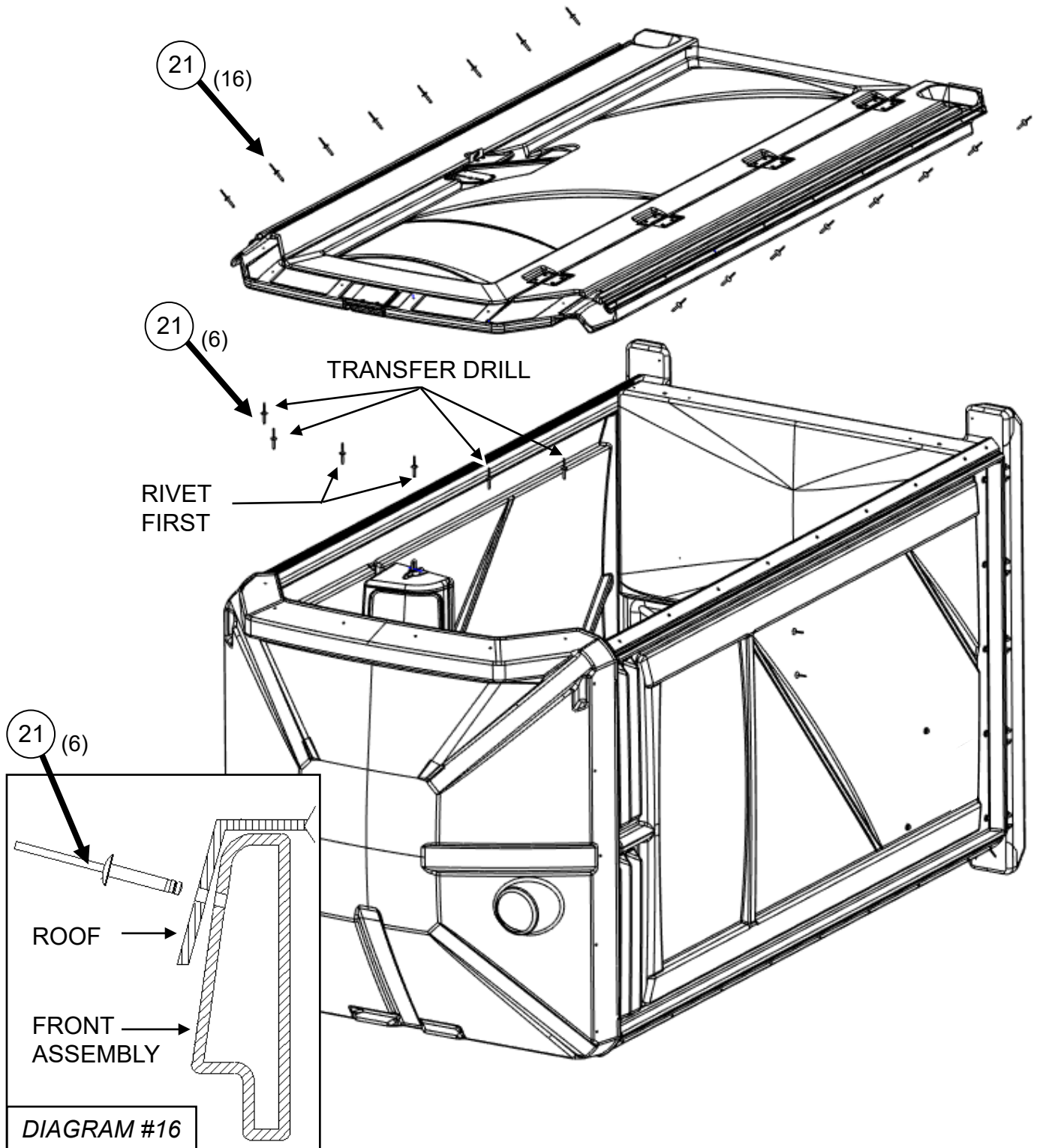
6. INSTALL ROOF

- Place Roof on top of Panels..
- Rivet using (15) Rivets #11030 and (15) Washers #11315 . (see diagram # 14 below)



7. INSTALL FRONT ASSEMBLY

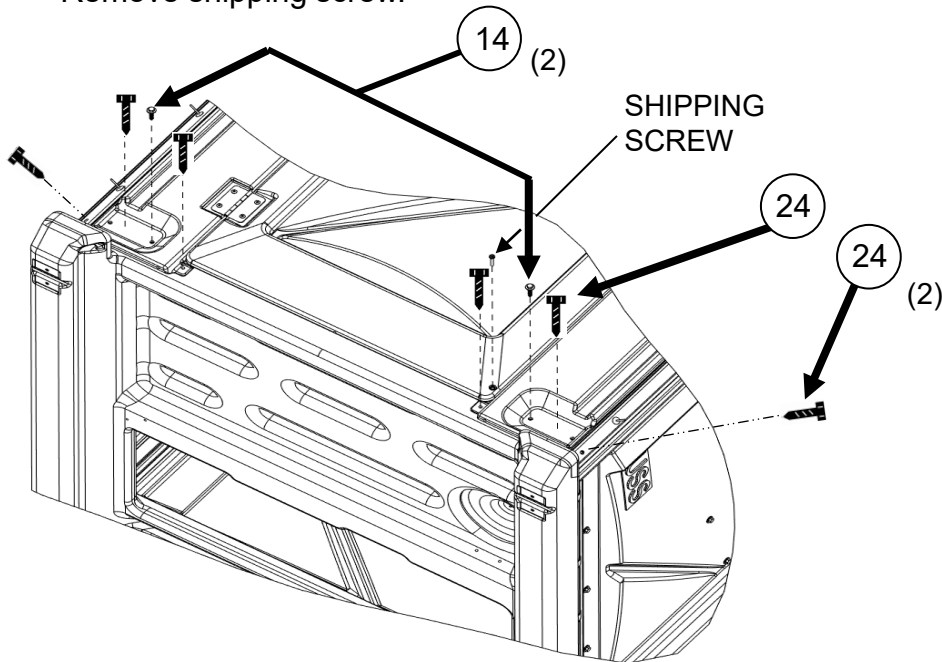
- Lay Toilet on its back, as shown below.
- Rivet Side Panels to Front assembly using (16) Rivets #14427
- **NOTE: do not fasten the bottom hole of the panels at this time.**
- Rivet Roof starting with the center two holes using (2) Rivets #14427 (see below).
- Transfer drill remaining (4) holes through Roof into Front assembly.
- Install (4) Rivets #14427 (see diagram # 16)



8. FASTEN FRONT TO BASE

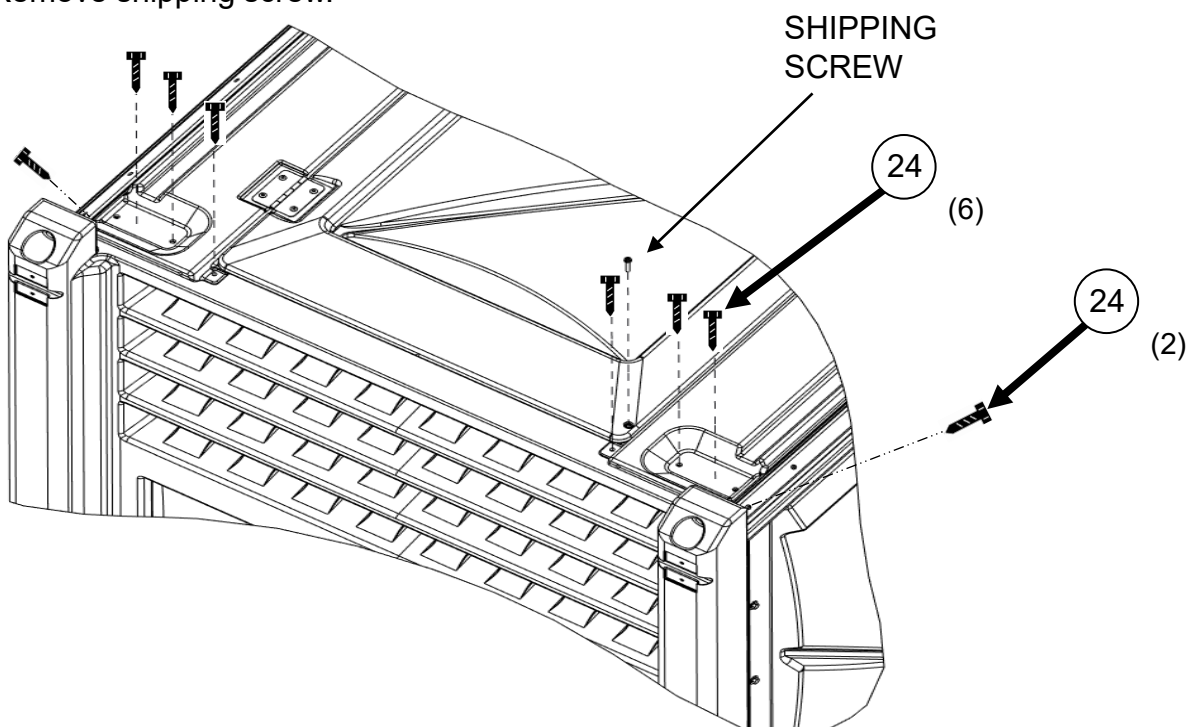
A. BLOWMOLDED BASE (22234) OPTION

- Install (2) Bolts #22384
- Install (4) Screws #13860
- Fasten bottom Panel holes using (2) Screws #13860. Drive screw into corner of Base.
- Remove shipping screw.



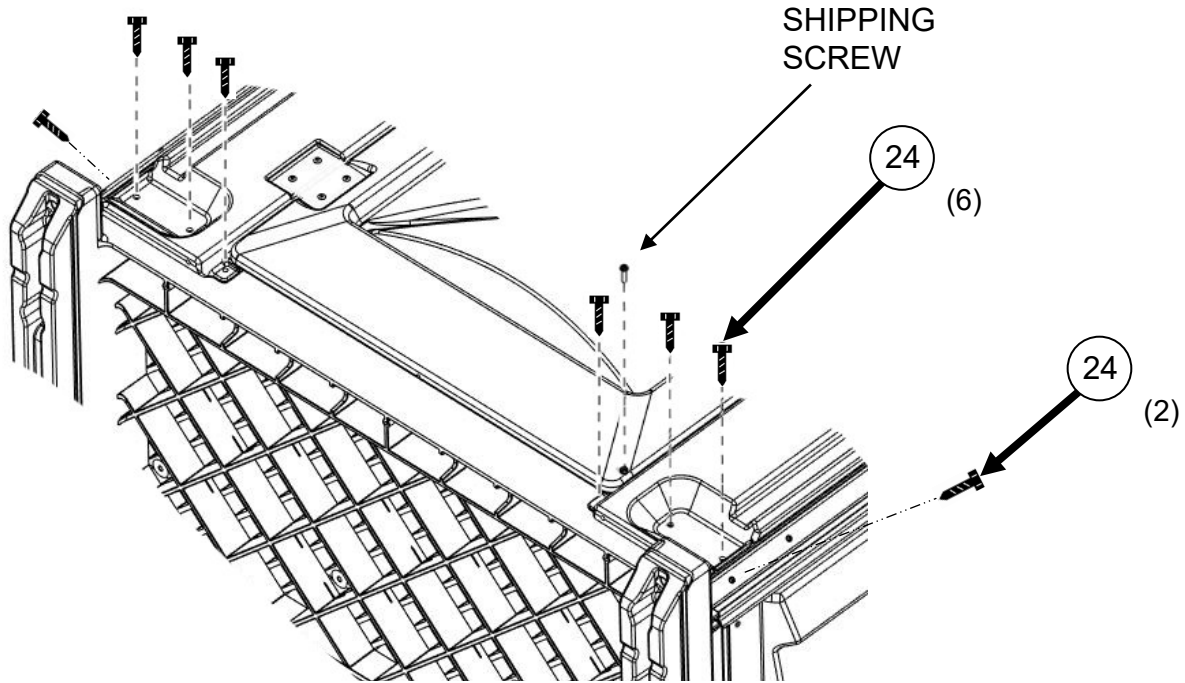
B. ROTO-MOLDED BASE (19014) OPTION

- Install (6) Screws #13860
- Fasten bottom Panel holes using (2) Screws #13860. Drive Screws into corner of Base.
- Remove shipping screw.



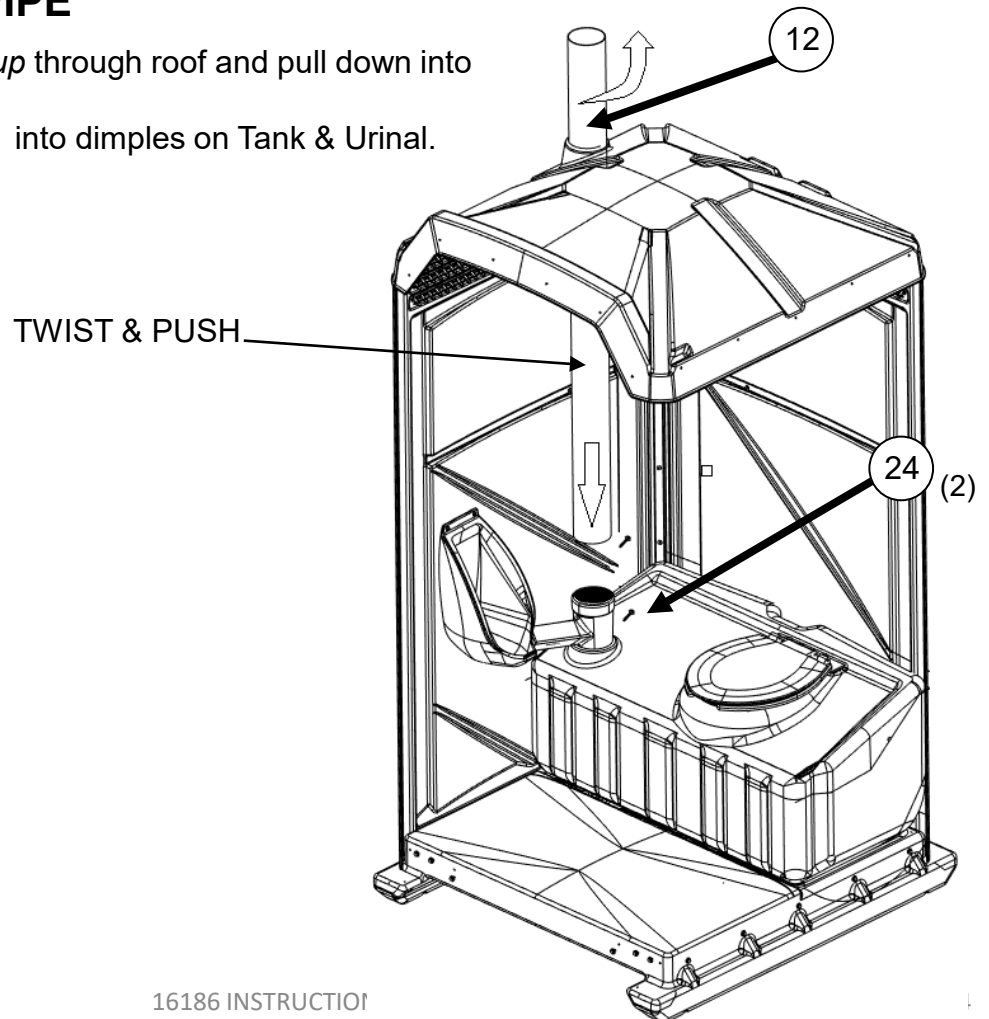
C. IMPACT BASE (10034) OPTION

- Install (6) Screws #13860
- Fasten bottom Panel holes using (2) Screws #13860. Drive Screw into corner of Base.
- Remove shipping screw.



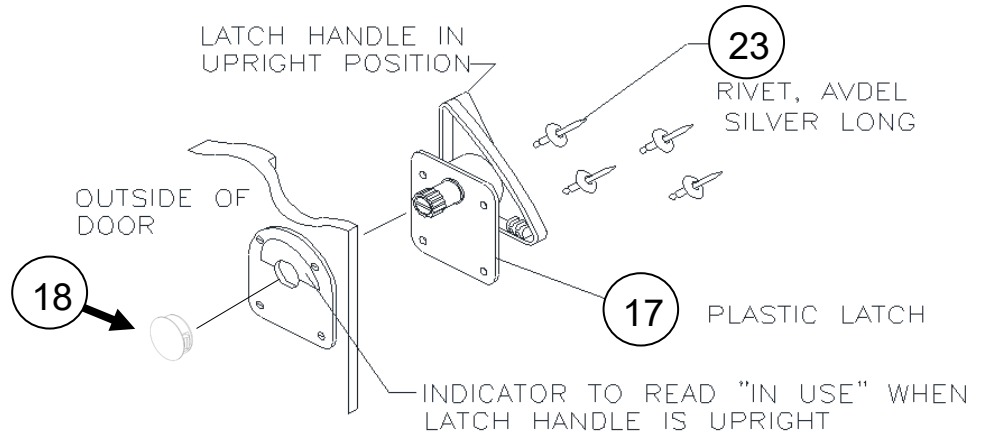
9. INSTALL VENT PIPE

- Push Vent Pipe #14133 up through roof and pull down into Urinal vent.
- Install 2) Screws #13860 into dimples on Tank & Urinal.



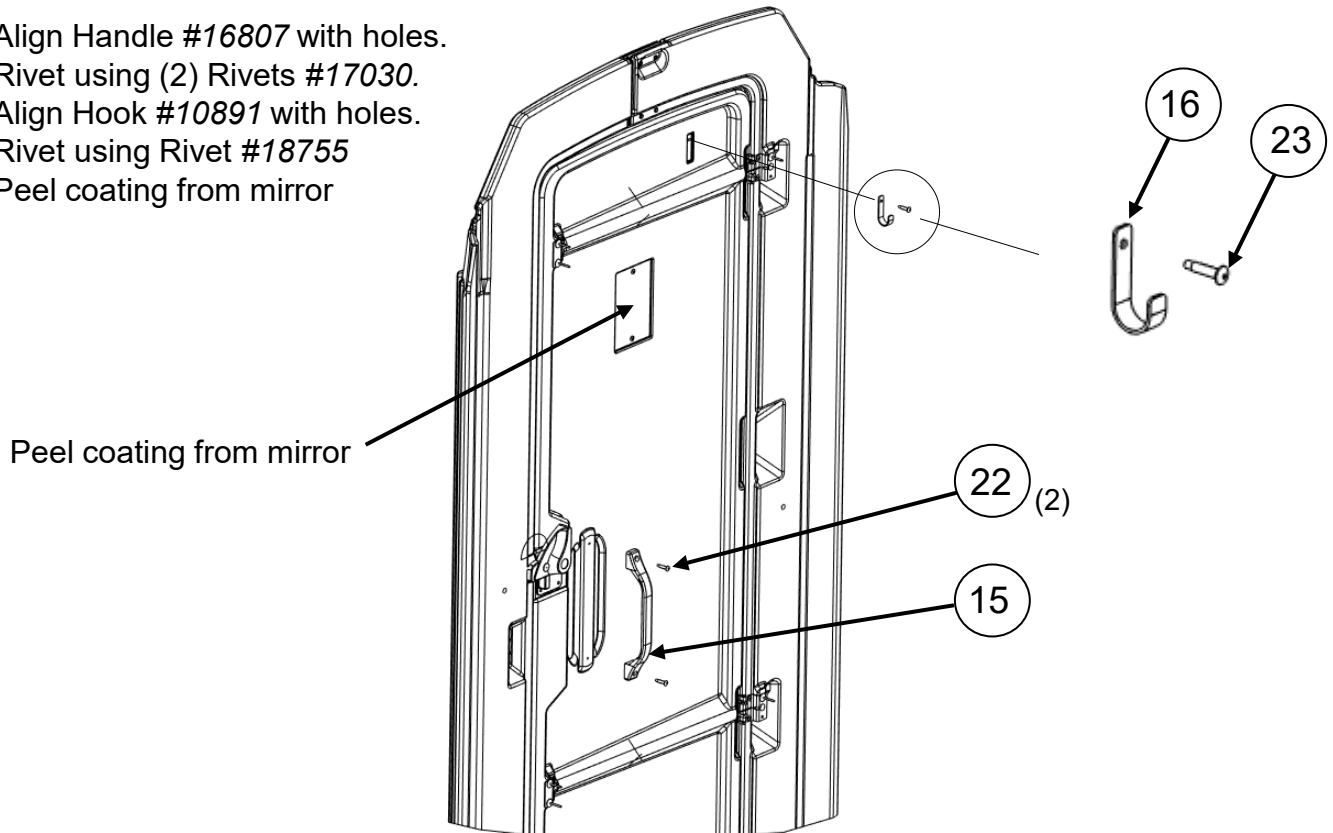
10. INSTALL DOOR LATCH

- Turn indicator to IN USE (red) & Latch upright to close position.
- Insert stud into door.
- Rivet using (4) Rivets #18755.
- Insert Plug #10161



11. INSTALL HANDLE & COAT HOOK

- Align Handle #16807 with holes.
- Rivet using (2) Rivets #17030.
- Align Hook #10891 with holes.
- Rivet using Rivet #18755
- Peel coating from mirror



2530 Xenium Lane North, Minneapolis, MN 55441
Telephone: 763-553-1900 Fax: 763-553-1905
800-328-3332 / www.satelliteindustries.co