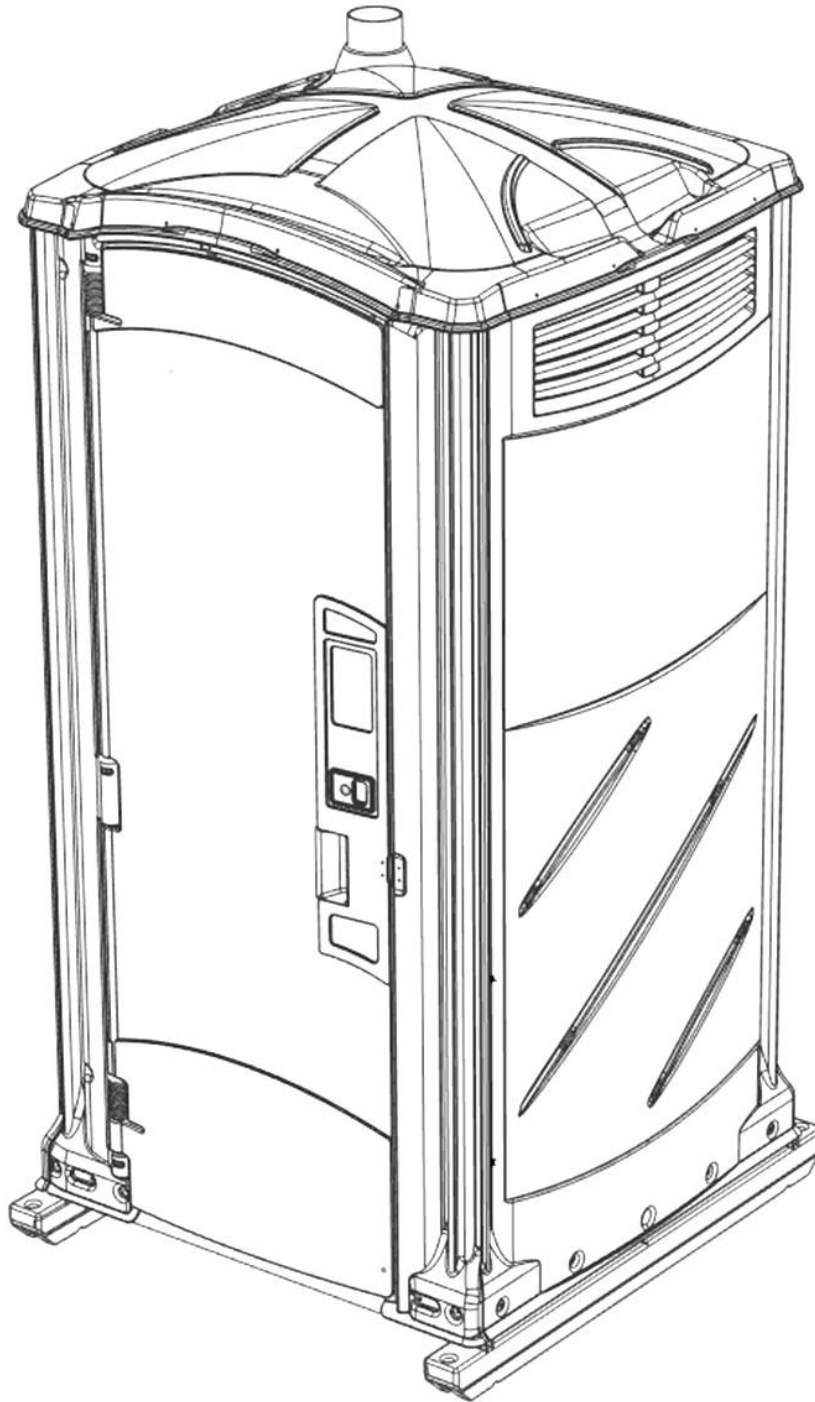


# MAXIM 3000 II

## Round Vent Pipe and Shelf

### Unit Assembly Instructions



2530 Xenium Lane North, Minneapolis, MN 55441  
Telephone: 763-553-1900 Fax: 763-553-1905  
800-328-3332 / [www.satelliteindustries.com](http://www.satelliteindustries.com)

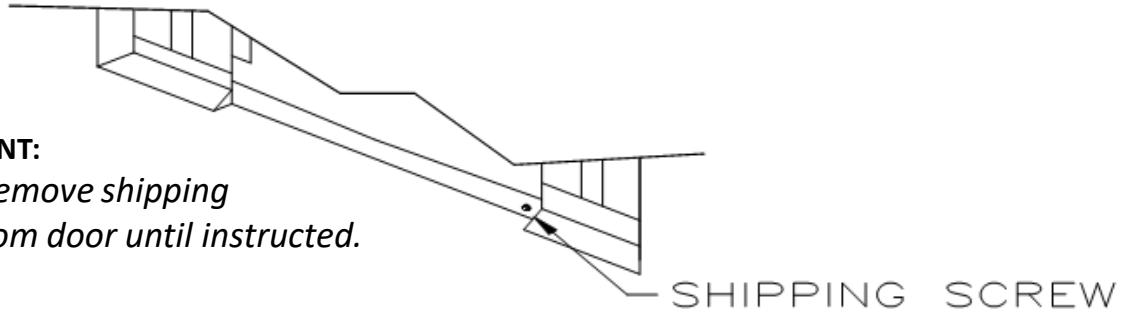
# INTRODUCTION

Satellite portable restrooms must be assembled according to approved assembly procedures. Avoid variations in assembly procedures which could adversely affect product life and warranty.

**PREASSEMBLY:** INSPECT ALL ITEMS FOR DAMAGE, VERIFY QUANTITIES ARE CORRECT (page 4)  
READ THROUGH ENTIRE INSTRUCTION BOOKLET

## IMPORTANT:

*Do not remove shipping screw from door until instructed.*

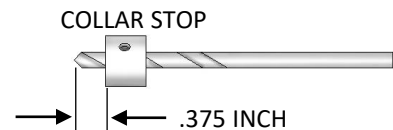
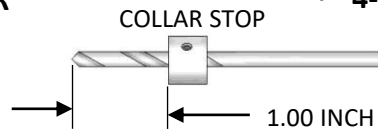


## TOOLS:

- CORDLESS DRILL
- 3/8" HEX DRIVER
- #10 (3/16") DRILL BIT
- POP RIVET GUN
- #2 PHILLIPS SCREWDRIVER
- RUBBER HAMMER

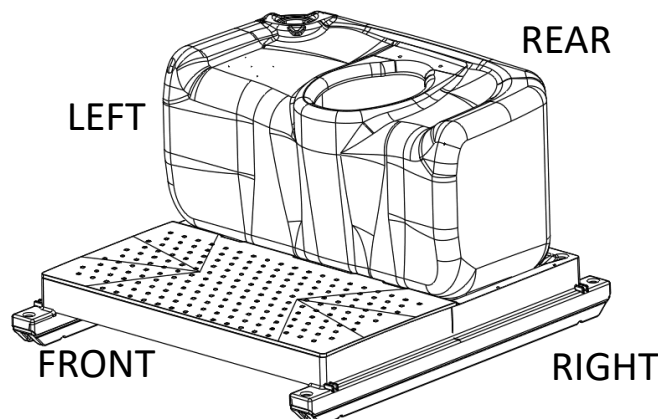
## OPTIONAL TOOLS:

- SIDE CUTTER
- 5/16 X 12" DRILL BIT
- COLLAR STOP #10 DRILL BIT ( 1" DEPTH )
- COLLAR STOP #10 DRILL BIT ( 3/8" DEPTH )
- 1-9/16" HOLE SAW
- 4-1/8" HOLE SAW



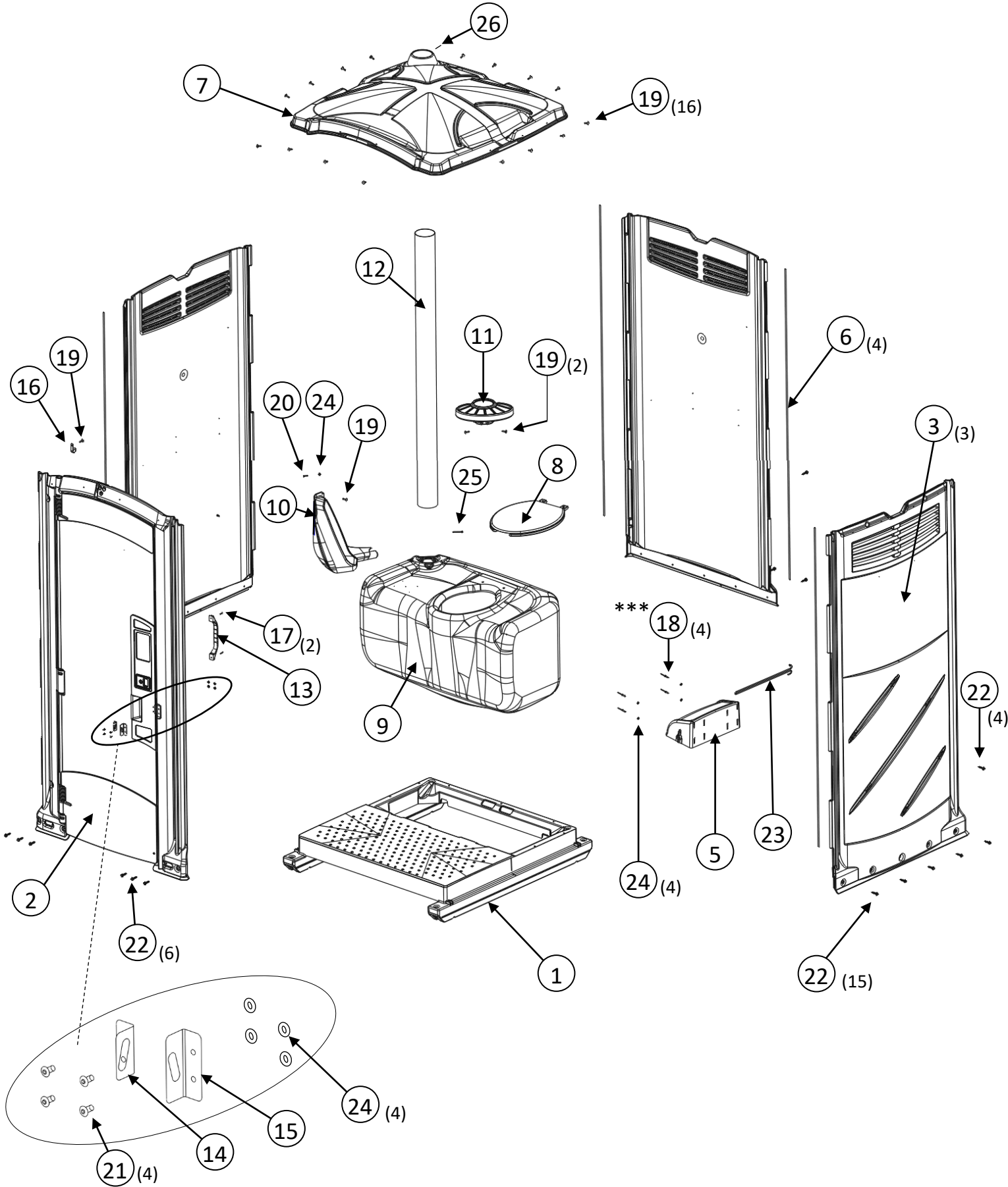
## HELPFUL HINTS:

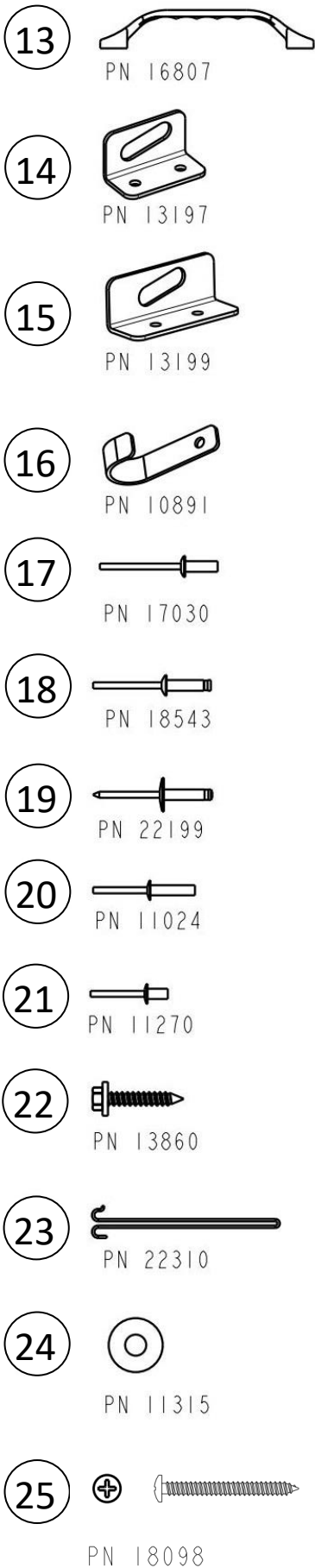
- **KEEP WORK AREA ORGANIZED.**
- Do not open all of the kit boxes, only enough to assemble the toilets you are currently working on.
- Use toilet paper holders for parts bins on multiple unit assembly.
- The assembly procedure is written for assembly of a single unit. If assembling multiple units, considerable efficiency can be gained by having a crew work in assembly line fashion.
- An apron with large pockets, is handy for holding parts and tools.



All references to left, right, front and rear correspond to this illustration.

# EXPLODED DRAWING





*	26	22476	1	SCREW- #10 X 1 PHPN TAP PLTD
---	----	-------	---	------------------------------

	25	18098	1	SCREW- #10 X 2 PH PH TAP	HDWE- MX3 II ORUND VENT PIPE 24171
	24	11315	9	WASHER, 3/16 RIVET STNLS	
	23	22310	1	SPINDLE- PRGRD II 3 ROLL METAL	
	22	13860	25	SCREW, #14 X 1-1/2 W/WSH GOLD	
	21	11270	4	RIVET- #68 STNLS	
	20	11024	1	RIVET- #610 AAP	
	19	22199	20	RIVET- 3/16 TRIFIX ALUM LF	
***	18	18543	6	RIVET- 3/16 T PEEL	
	17	17030	2	RIVET- AVDEL BLACK	
	16	10891	1	HOOK, FLAT COAT STNLS	
	15	13199	1	HASP- 3/16 RIVET HOLE FACING	
	14	13197	1	HASP- 3/16 RIVET HOLE DOOR	
	13	16807	1	HANDLE, PLASTIC HOVER	

	12	14133	1	VENT PIPE- 4 X 63 DGRY	MAXIM 3000 II RESTROOM
**	11	23832	1	SHELF- FOR 4" VENT PIPE DGRY	
**	10	22193	1	URINAL- MAXIM 3000 II DGRY	
	9	24173	1	TANK- MX3 II DGRY ROUND VP	
	8	14959	1	SEAT, ELONG MX2/MX3/TRS/HT BLK	
	7	22191	1	ROOF- MAXIM 3000 II NATURAL	
	6	18681	4	ROD- FIBERGLASS 72	
**	5	22209	1	HOOD- PAPERGRD 3 ROLL DGRY	
		24171	1	HDWE- MX3 II ROUND VP	
	3	22186	3	DESIGN- MAXIM 3000 II PANEL	
	2	22195	1	DESIGN- MAXIM 3000 II FRT ASSY	
	1	10034	1	BASE ASSY- IMPACT SOLID FLOOR	
	ITEM	PART#	QTY	DESCRIPTION	

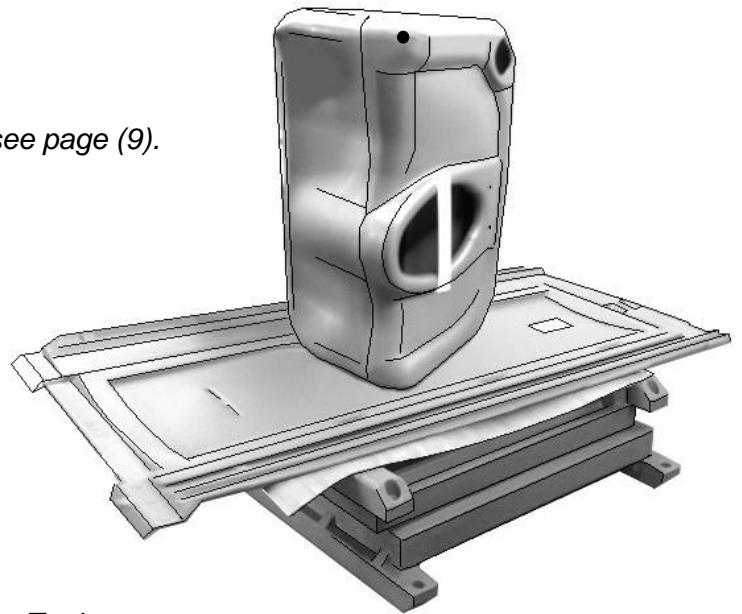
NOTES: \* ITEM #26 is used as a shipping screw in the Front Assembly.  
 \*\* Items may be shipped in tank, Tank Package PN 24174  
 \*\*\* Item #18 Pack bags have 18543 rivet or 11024 rivet, bag label may say 18543 in either case. Please see alternate rivet Instructions Page 9.

# ASSEMBLE PANELS & FRONT

## 1. READY WORK SURFACE

- Create raised work surface by stacking bases or pallets, *place cardboard on top prevent damage.*
- Place Front Assembly on top of work surface, with cardboard in place.
- Place Tank on Front Assembly, with seat opening to left or right side.

**NOTE:** TANK WILL REMAIN INSIDE RESTROOM see page (9).

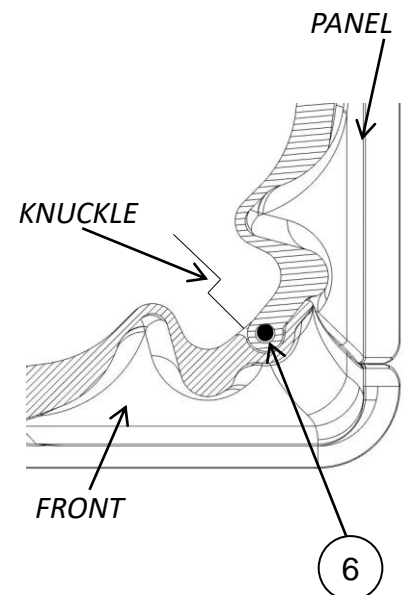
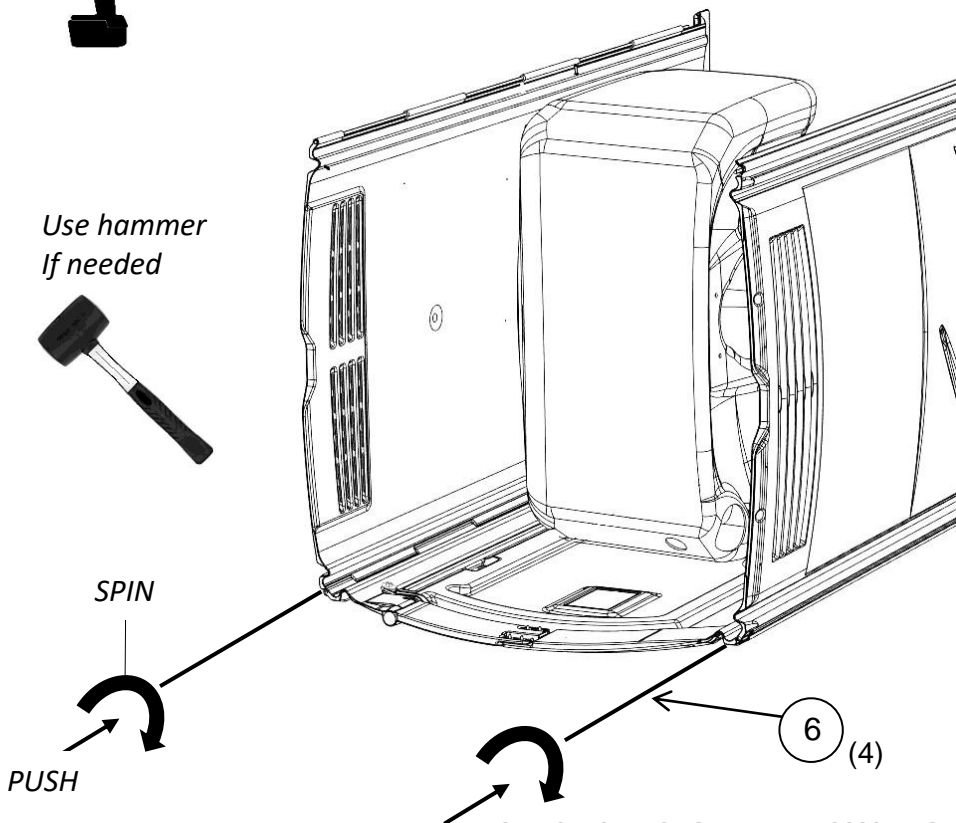


## 2. INSTALL PANELS

- Place Panels on Front Assembly leaning against Tank.
- Align Panel and Front Assembly knuckles, knuckles must be fully nested together.
- Insert Fiberglass Rod ( 18681 ), angled end first, through all knuckles. *Rod must be fully seated in bottom knuckle.*
- Repeat process for remaining (2) panels, side & rear.



**NOTE:** DRILL THE TOP KNUCKLE OF PANEL & FRONT ASSEMBLY IF ROD WILL NOT INSERT WITH 5/16 DRILL. **DO NOT** DRILL THROUGH PANEL OR FRONT ASSEMBLY WALLS.



# INSTALL BASE

## 3. FASTEN PANELS TO BASE

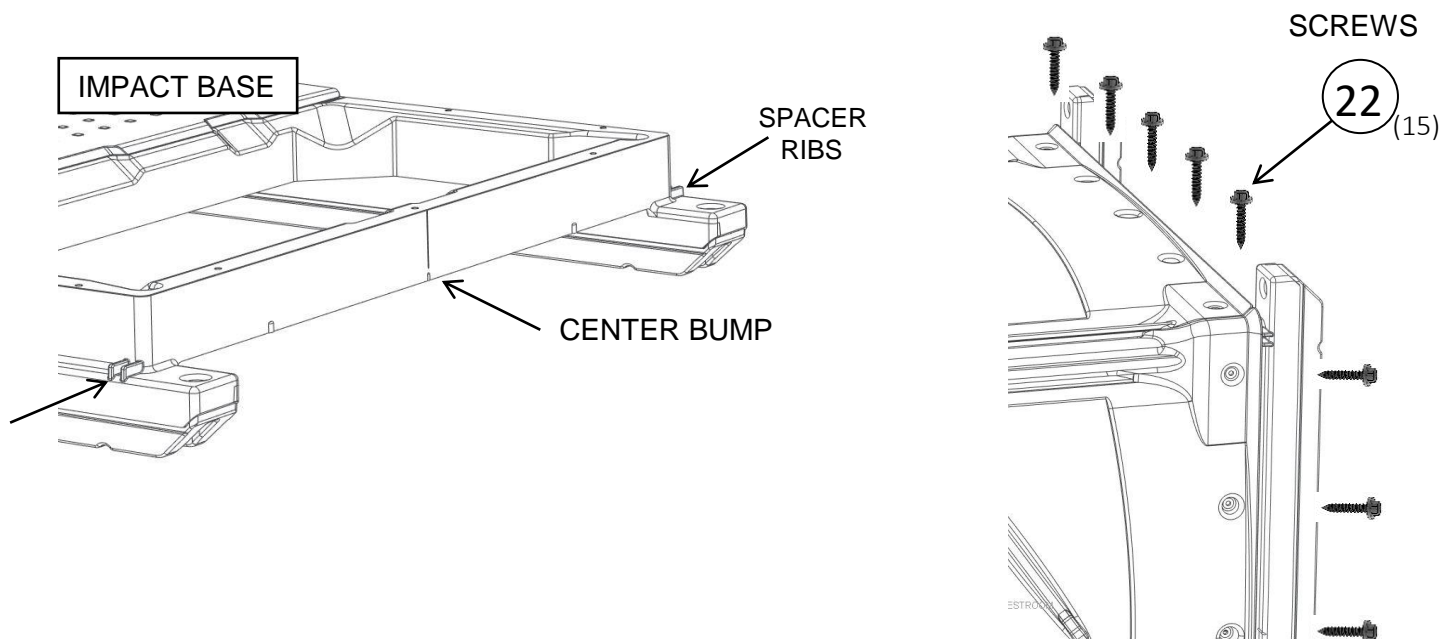
**NOTE:** If Unit includes a Handwash see Handwash Installation Instructions ( 22419 ) before proceeding further.

### A. IMPACT BASE ( 10034 ) OPTION

NOTE: USE SAME PROCESS FOR ( 10033 ) GRID BASE

- Start with Rear Panel. Place bottom edge of Panel against top of spacer ribs, located at each corner. Center panel using the centering bump as a reference.
- Install (5) Screws ( 13860 ).
- With Side Panels remaining against top of spacer ribs, install (5) screws ( 13860 ).  
*Note center panel using the centering bump.*
- Repeat process for remaining panel.

**\*\* NOTE: SIDE PANELS MUST BE FLUSH WITH SPACING RIBS AT EACH CORNER. DO NOT OVER TIGHTEN SCREWS**



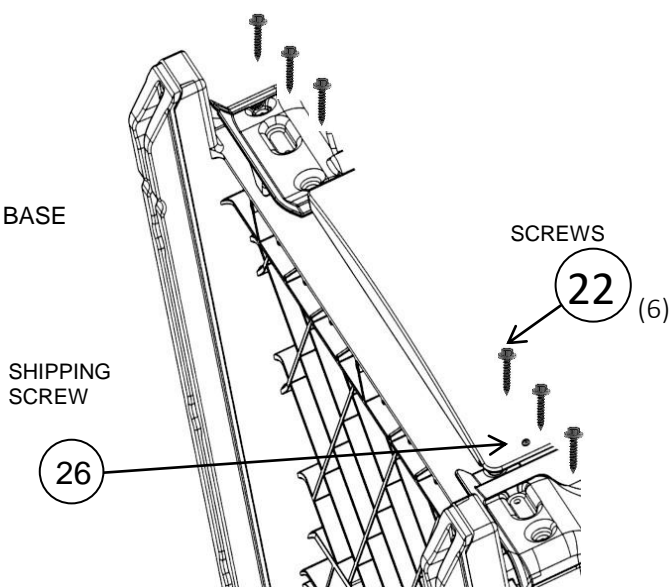
# INSTALL BASE

## 4. FASTEN FRONT TO BASE

### A. IMPACT BASE ( 10034 ) OPTION

NOTE: USE SAME PROCESS FOR 10033 GRID BASE

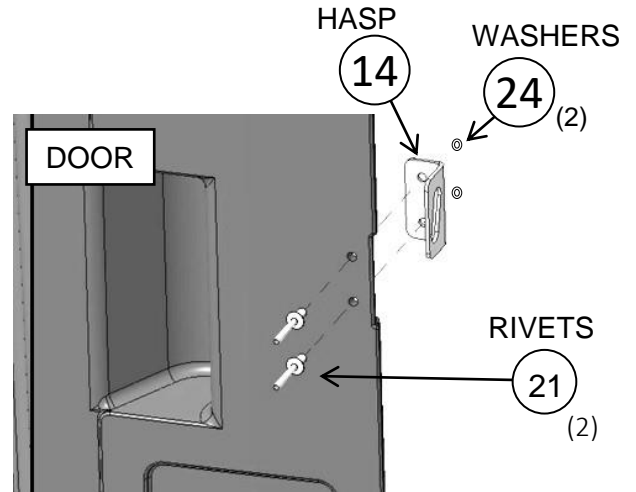
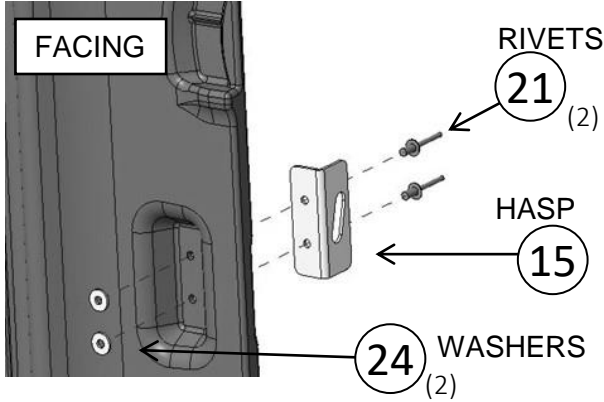
- Install (5) Screws ( 13860 )
- Remove shipping screw. *SAVE FOR LATER see page (11).*
- Open door and install final Screw ( 13860 )



# INSTALL HASPS

## 5. INSTALL HASPS ON FACING & DOOR

- Align holes in Hasp ( 13199 ) with Facing holes and insert (2) Rivets ( 11270 ) through holes.
- Place (2) Washers ( 11315 ) on Rivets and secure.
- Align holes in Hasp ( 13197 ) with Door holes.
- Insert (2) Rivets ( 11270 ) through holes.
- Place (2) Washers ( 11315 ) on Rivets and secure.

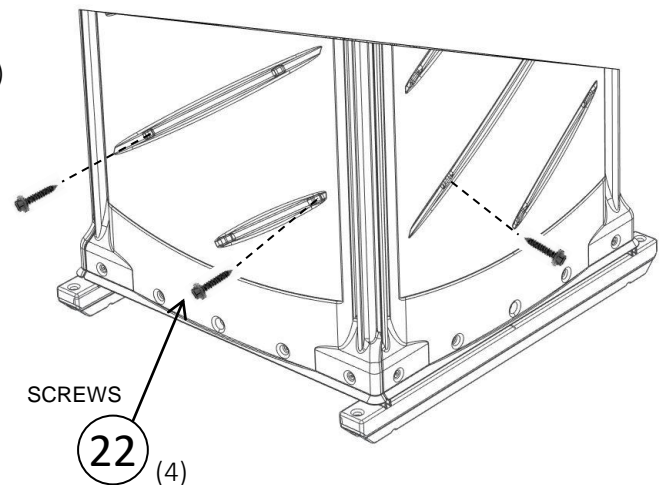
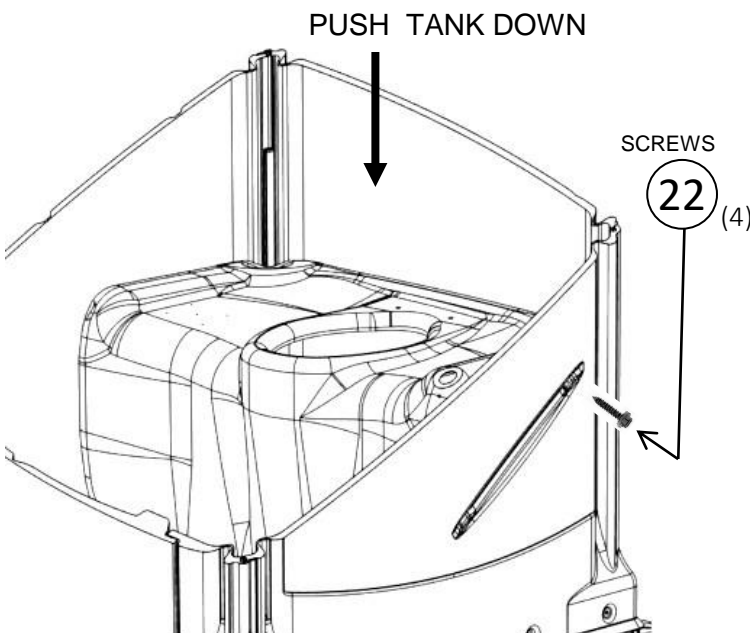


# INSTALL TANK & TOILET SEAT

## 6. INSTALL TANK ( THIS STEP REQUIRES 2 PEOPLE )

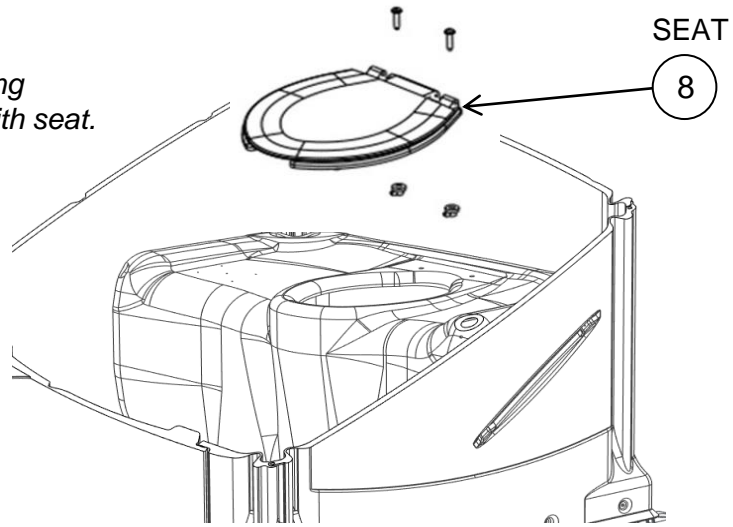


- Place Tank into cradle opening in Base.
- Push and hold tank down or sit on tank. ( person 1 )
- Install (4) Screws ( 13860 ) from outside. ( person 2 )



## 7. INSTALL SEAT

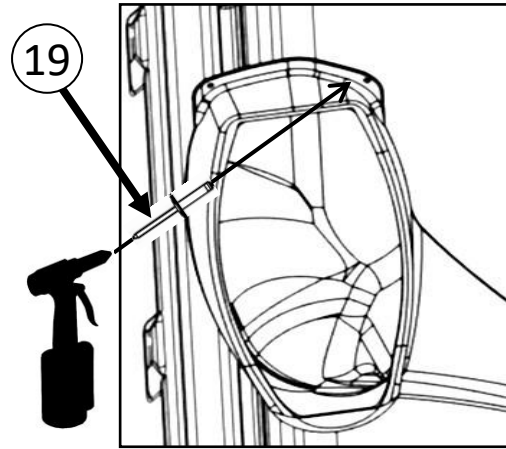
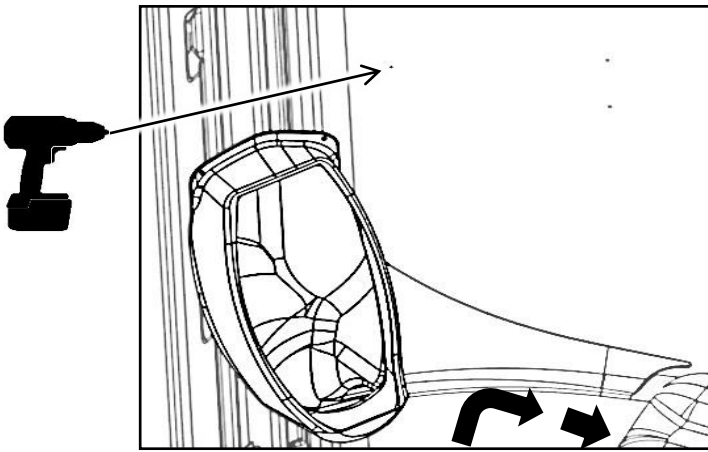
- Install Toilet Seat onto Tank, using plastic bolts and nuts provided with seat. DO NOT OVER TIGHTEN.



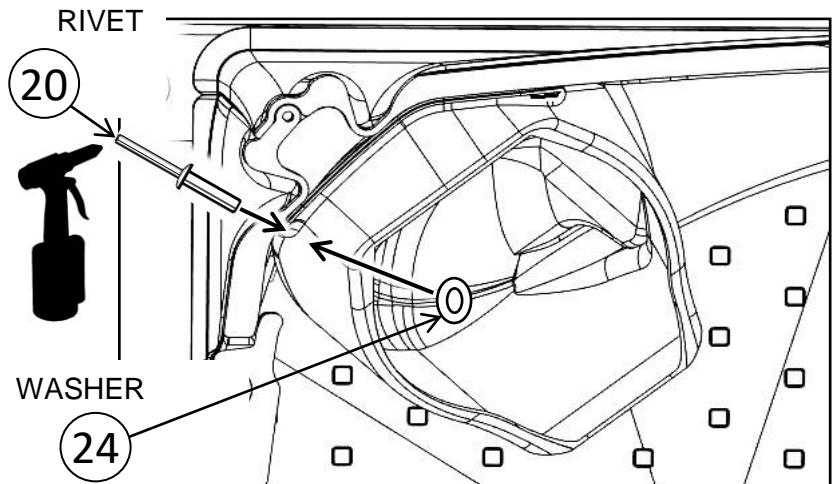
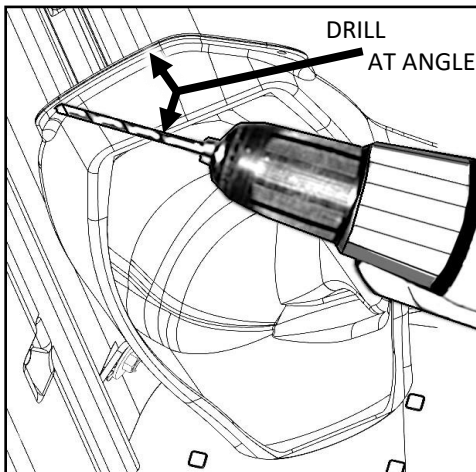
## INSTALL URINAL

### 8. INSTALL URINAL

- Locate drill point in side panel, about 36" above Floor.
- Drill using # 10 with Stop Collar set at 3/8" ( Caution drill through first layer only ).
- Insert Urinal drain tube into 1-9/16" hole in Tank & align with drilled panel hole.
- Rivet using Rivet ( 22199 ).



- Transfer drill hole through Front Facing with #10 drill bit, *drill at angle* ( see below ).
- Rivet in place using Rivet ( 11024 ) and washer ( 11315 ).

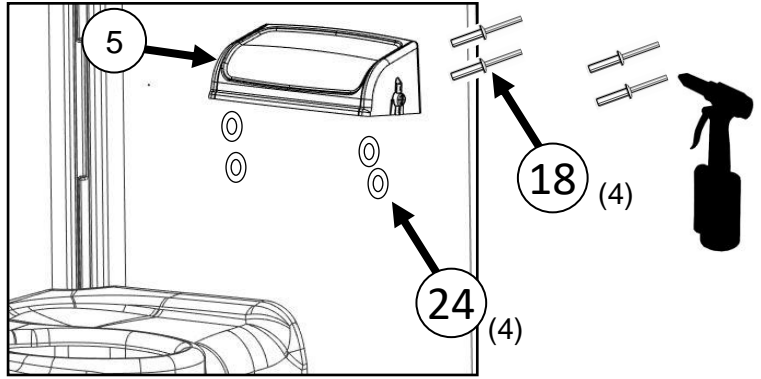




# INSTALL PAPER GUARD *NOTE: Restrooms with optional Handwash see Option B. below.*

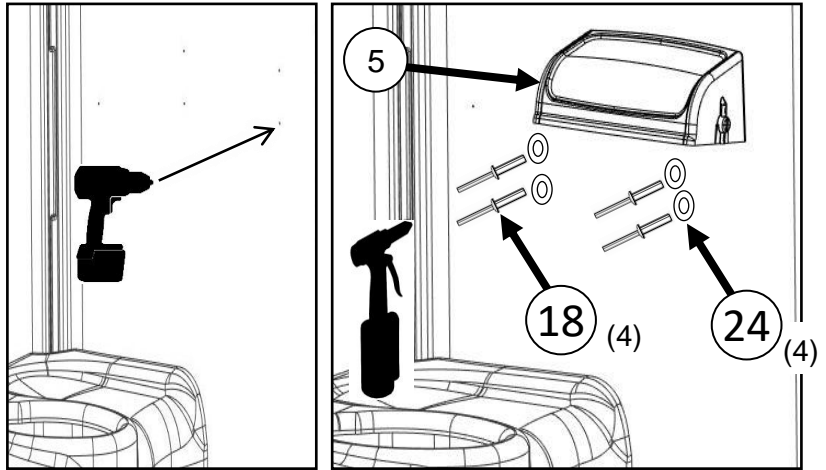
**9. ALTERNATE RIVET:** *Due to product shortages alternate rivet 11024 may be used in place of rivet 18543.*

- Drill as described in **OPTION A** or **B** **but through both walls of panel.**
- Rivet Paperguard (22209) using (4) Rivets ( 11024 ) & (4) Washers ( 11315 ) *Riveting from outside with washer inside.*
- Install Spindle ( 22310 ).



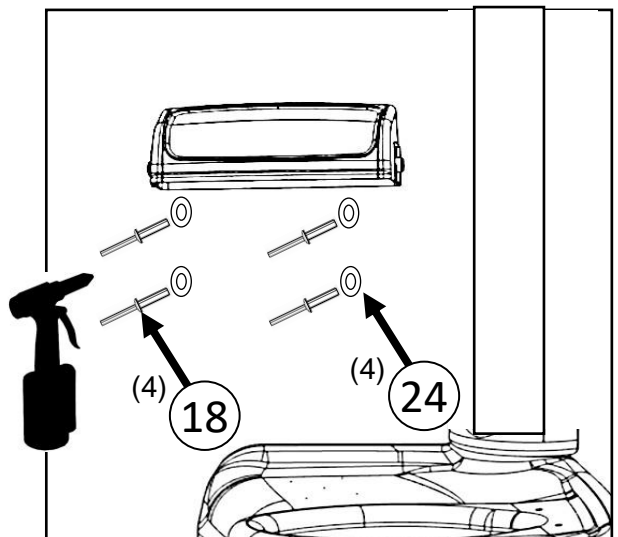
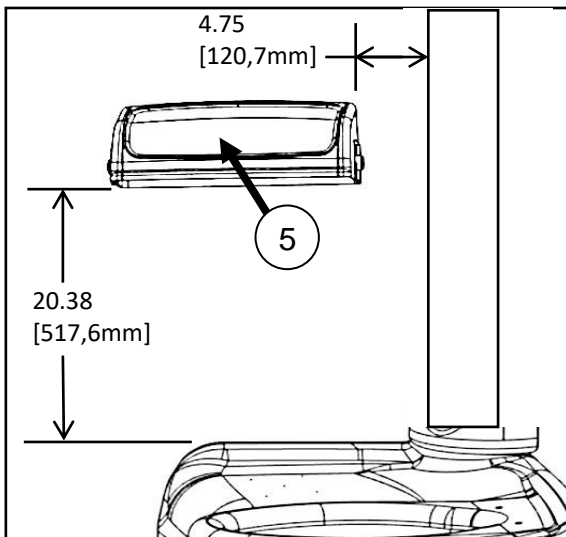
**9. OPTION A:** Standard installation.

- Locate (4) drill points on the right-hand panel ( see diagram below ).
- Drill with #10 bit & Stop Collar set to 3/8"
- Rivet Paperguard (22209) using (4) Rivets ( 18543 ) & (4) Washers ( 11315 ) *Place washers under rivet heads.*
- Install Spindle ( 22310 ).



**9. OPTION B:** Installation with Handwash.

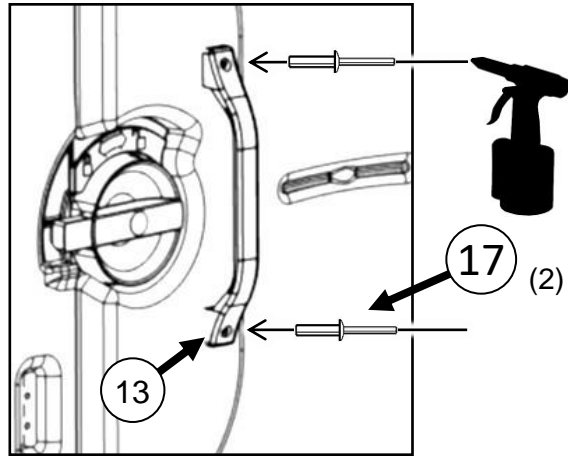
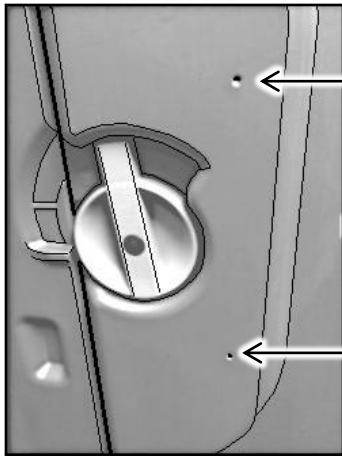
- Locate Paperguard ( 22209 ) on the left-hand panel ( see diagram below ).
- Mark (4) hole locations.
- Drill with #10 drill bit & Stop Collar set to 3/8"
- Rivet Paperguard using (4) Rivets ( 18543 ) and (4) Washers ( 11315 ) *Place washers under the heads of the rivets.*
- Install Spindle ( 22310 ).



# INSTALL HOVER HANDLE

## 10. INSTALL HANDLE ON DOOR

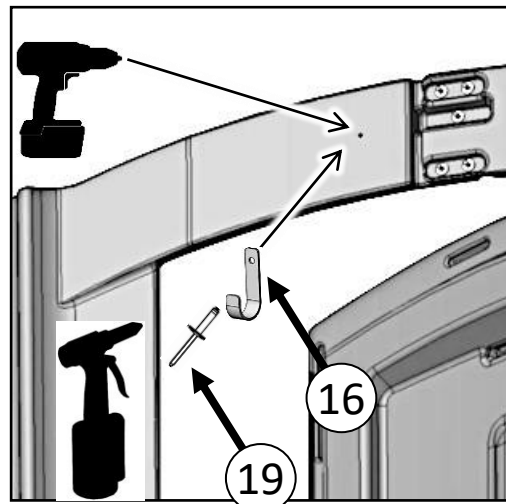
- Drill holes with #10 bit & Stop Collar set at 3/8, *holes may be predrilled from factory.*
- Align holes in Handle ( 16807 ) with Door holes and rivet with (2) black Rivets ( 17030 ).



# INSTALL COAT HOOK

## 11. INSTALL HOOK ABOVE DOOR

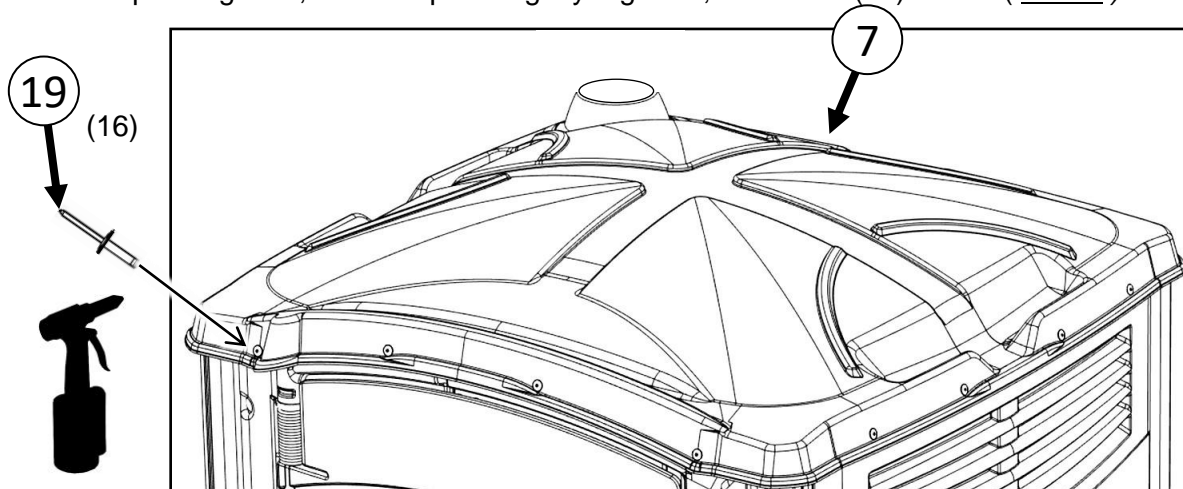
- Drill hole with #10 bit & Stop Collar set at 3/8.
- Align holes in Coat Hook ( 10891 ) with hole.
- Rivet with Rivet ( 22199 ).



# INSTALL ROOF

## 12. INSTALL ROOF ON UNIT

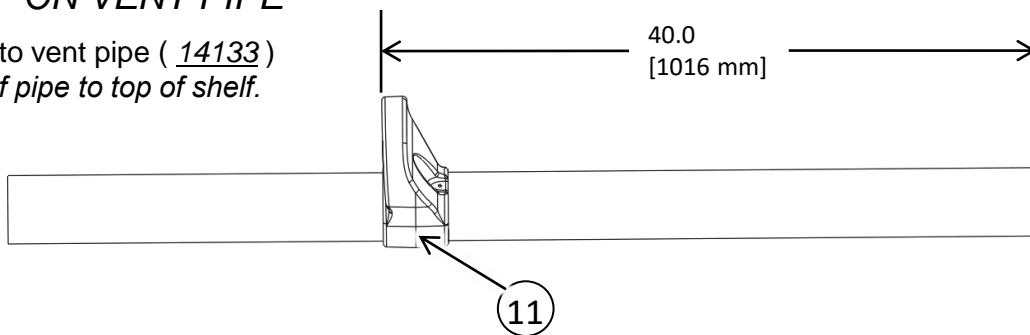
- Place Roof ( 22191 ) on Restroom, push firmly over Vent pipe.
- While pushing rivet, roof and panel tightly together; Rivet with (16) Rivets ( 22199 ).



# INSTALL SHELF

## 13. INSTALL SHELF ON VENT PIPE

- Install shelf ( 23832 ) onto vent pipe ( 14133 )
- Place 40" from bottom of pipe to top of shelf.



# INSTALL VENT PIPE

## 14. INSTALL VENT PIPE AND ALIGN SHELF

- Install vent pipe ( 14133 ) in left rear corner through roof.
- Place vent pipe into vent pipe hole of the tank. Make sure vent pipe is seated completely in tank.
- Install screw ( 18098 ) in recess shown on tank, using Phillips driver bit. Make sure screw is level with tank and installed through tank to vent pipe.
- Center shelf in corner of left and rear, shelf is placed 40" above tank top.
- Transfer drill with #10 drill and rivet in place with (2) rivet ( 22199 ) at left and right recesses. *Note center recess is for optional coat hook.*
- Use shipping screw ( 22476 ) to secure vent pipe to roof exterior.

