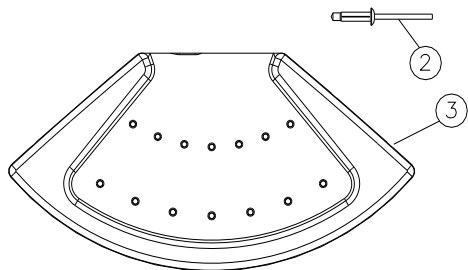


INSTRUCTIONS

MAXIM 3000 II® SHELF INSTALLATION

INTRODUCTION: Satellite portable restrooms and accessories must be assembled according to approved assembly procedures. Variations in assembly could adversely affect product life and warranty.

HARDWARE:



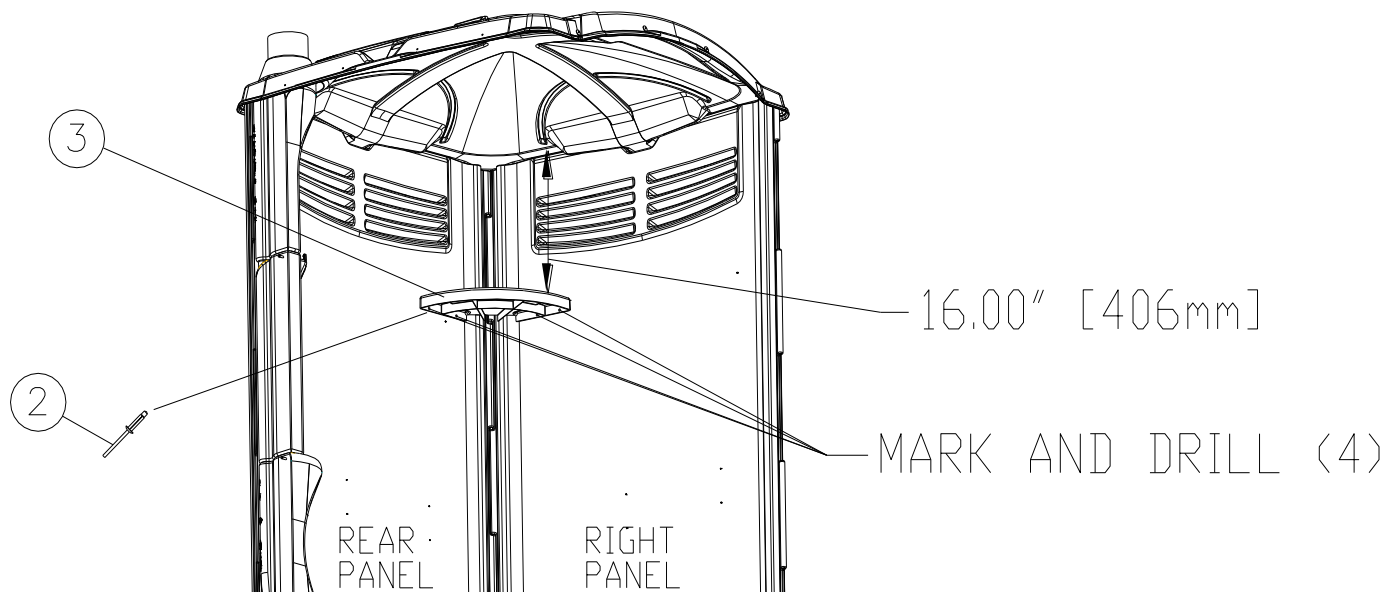
KIT, MAXIM 3000 II SHELF (#22344)

3	22210	1	SHELF, MAXIM 3000 II DGRY
2	17436	4	RIVET, AVDEL SILVER
1	22345	1	INSTRUCTIONS, MX3 II SHELF (NOT SHOWN)

TOOLS:

- **DRILL ELEC/CORDLESS, #10 (0.194") DRILL BIT, RIVET GUN**

1. Place shelf in rear right corner so that the top of shelf is 16.00" [406mm] down from the flat on the underside of the roof. Hold shelf level and mark drill points through (4) holes in shelf.
2. Drill at the (4) marks with #10 (3/16) drill bit. (**BE CAREFUL TO ONLY DRILL THROUGH FIRST LAYER OF DOUBLE WALLED PANEL**)
3. Rivet shelf to panels with an expanding rivet as shown.



LOOKING AT THE INSIDE OF TOILET



SATELLITE INDUSTRIES, INC.

2530 Xenium Lane North, Minneapolis, MN 55441
Telephone: 763-553-1900 Fax: 763-553-1905
800-328-3332 / www.satelliteindustries.com