

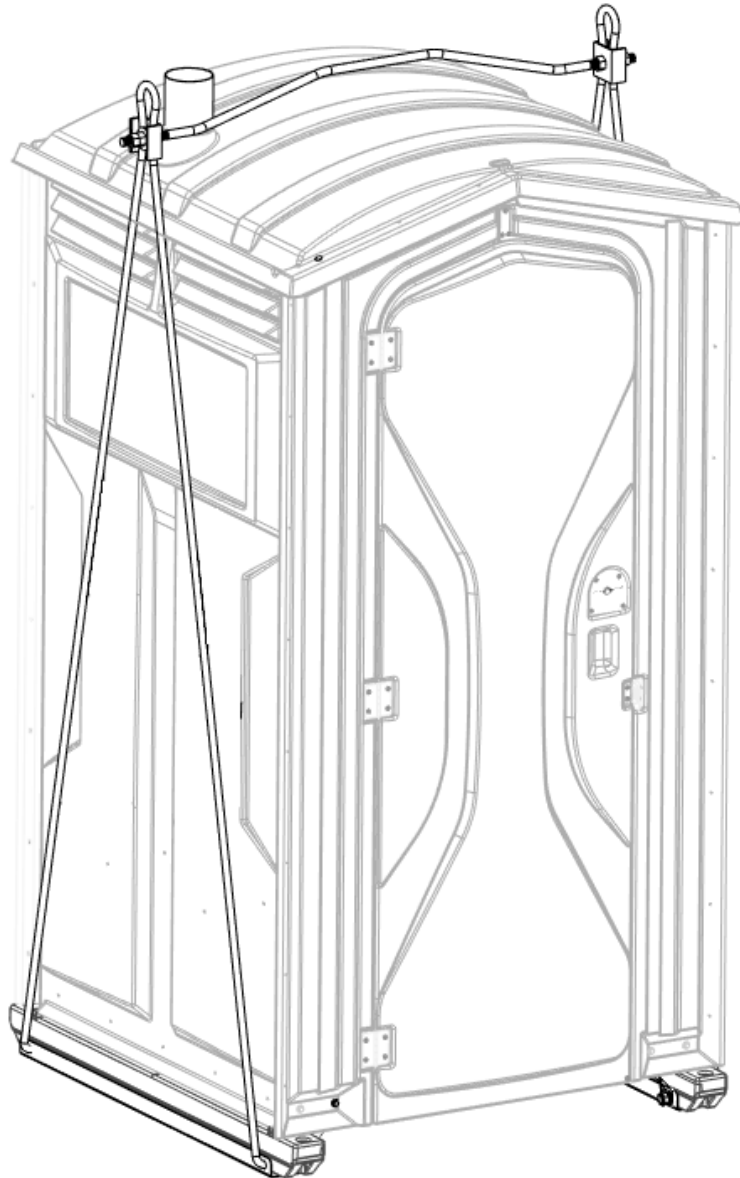
# INSTRUCTION DOUBLE HOOK PLATED LIFT

Satellite portable restrooms and accessories must be assembled according to approved assembly procedures. Avoid variations in assembly procedures, which could adversely affect product life and warranty.

**\*\*WORKING LOAD LIMIT 1014 lbs. MAX \*\***

**\*\*NOT TO BE USED FOR HUMAN TRANSPORT \*\***

**\*\*INSPECT BEFORE EACH USE, DO NOT USE WITH DAMAGED PARTS \*\***



2530 Xenium Lane North, Minneapolis, MN 55441  
Telephone: 763-553-1900 Fax: 763-553-1905  
800-328-3332 / [www.satelliteindustries.com](http://www.satelliteindustries.com)

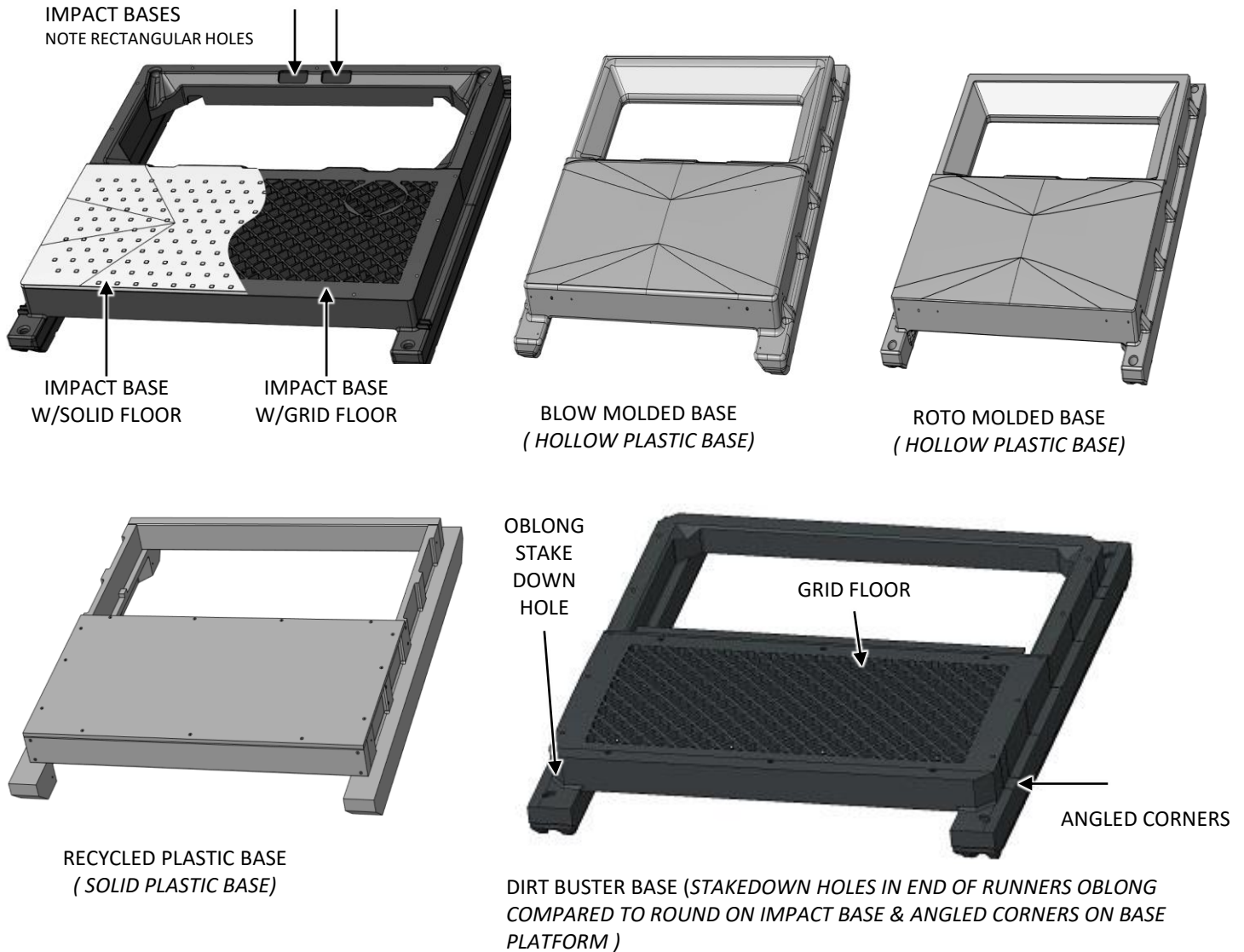
# SPECIFICATIONS AND FITMENT

SPECIFICATIONS	US	METRIC
TOTAL HEIGHT	93.0"	236 cm
TOTAL WIDTH	51.0"	130 cm
TOTAL DEPTH	42.0"	107 cm
LIFTING CAPACITY	1014 lbs.	459 kg

**NOTE:**

Install only on the following Satellite restrooms, which have one of the bases shown below:

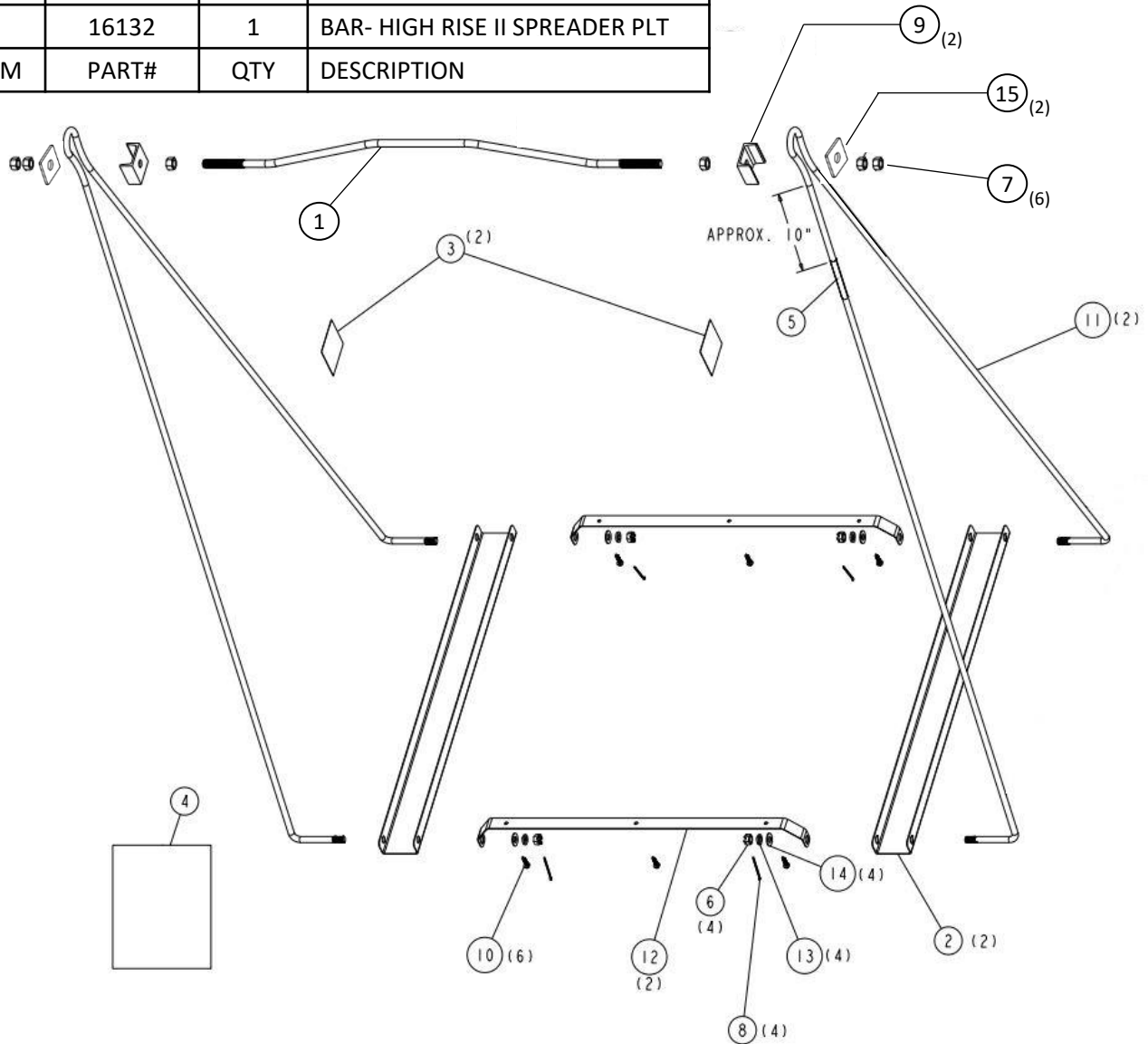
- Global II, Tufway, Maxim 2000, Maxim 3000 & Maxim 3000 II, & Aspen II.
- Also fits the Axxis, Taurus, & High Tech 1 but only with the Impact base shown below.
- **NOT TO BE USED WITH: TAURUS WITH ROTO MOLD BASE, HIGH TECH 1 WITH ROTO MOLD BASE, HIGH TECH 2, VANTAGE, APSEN ORIGINAL UNIT, OR MONDO RESTROOMS.**
- **NOT TO BE USED ON ANY RESTROOM WITH THE DIRT BUSTER BASE.**



15	25194	2	WASHER- SQUARE 3/4 ID
14	22369	4	WASHER- 5/8 SAE
13	12390	4	WASHER- 5/8 LOCK
12	22368	2	STRAP- 2X REST WET LIFT
11	16129	2	SLING- HIGH RISE II PLTD
10	13860	6	SCREW- #14 X 1-1/2 W/WSH GOLD
9	10263	2	RETAINER- HIGHRISE HANGER
8	10851	4	PIN- 1/8 COTTER STNLS
7	10767	6	NUT- 3/4 NC
6	22367	4	NUT- 5/8-11 SLOTTED HEX
5	22371	1	NAME PLATE- DBL HOOK PLTD LIFT
4	22365	1	INSTR- DOUBLE HOOK PLATED LIFT
3	22364	2	DECAL- DOUBLE HOOK PLATED LIFT
2	22363	2	CRADLE- 2X REST WET LIFT
1	16132	1	BAR- HIGH RISE II SPREADER PLT
ITEM	PART#	QTY	DESCRIPTION

### TOOLS:

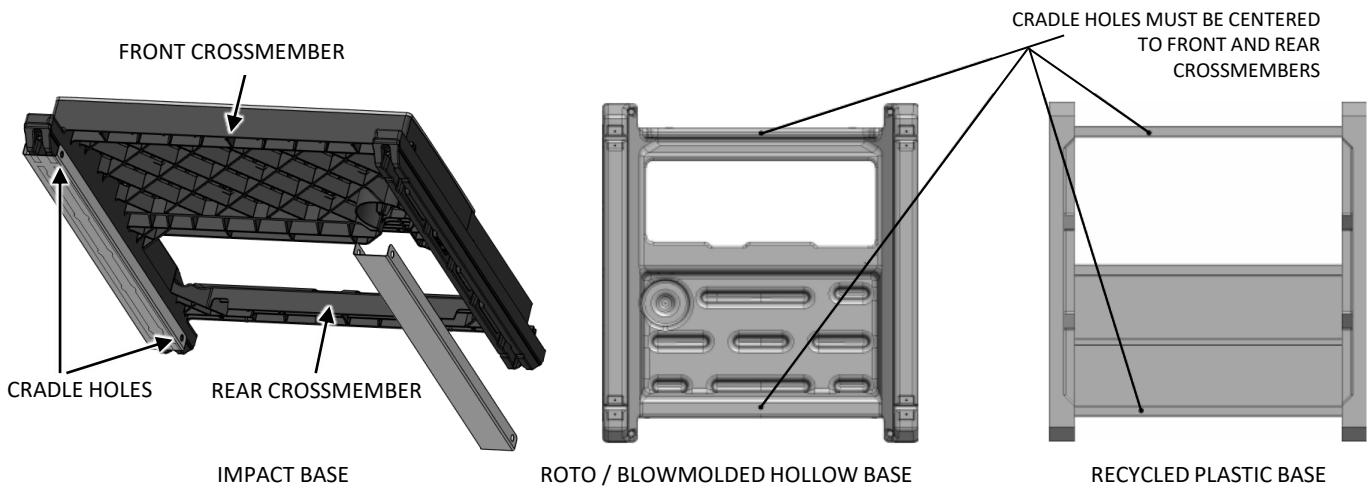
- DRILL
- 11/16 DRILL BIT
- 3/8 SOCKET DRIVER BIT
- ADJUSTABLE WRENCH
- PLIERS



**Note:**

**Follow directions closely. If you have any questions or concerns, contact Satellite Industries. If parts become damaged or deformed during the assembly process stop immediately and contact Satellite Industries.**

- 1. REMOVE ALL WASTE FROM WASTE TANK.**
  - 2. Tip the unit on back with door is facing upward.**
  - 3. Place cradles onto skids.**
- Center cradle holes to crossmembers of Base. *Use straps to help center on crossmember.*



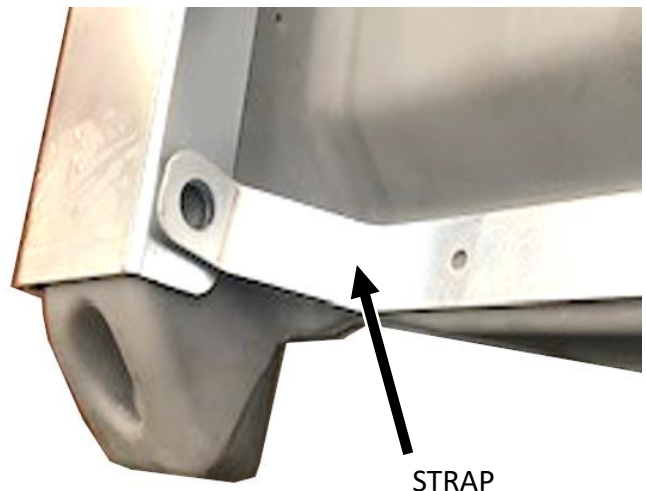
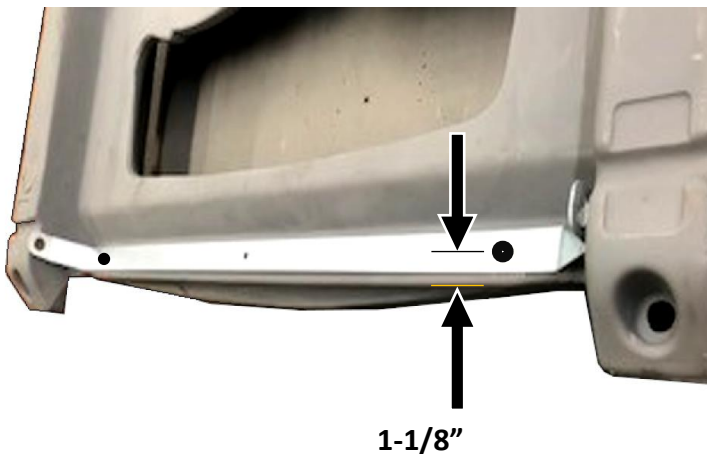
---

**Directions for Maxim 3000 Roto Mold Base**

Locate strap on rear crossmember of base. Measure from rear of base 1-1/8" to locate small holes of strap.

**MAXIM 3000 ROTO MOLD BASE ( Rear of base )**

Place cradles on base runners and align the holes in the cradles with the holes in the strap. ( Of rear crossmember with strap on outside of cradles ).

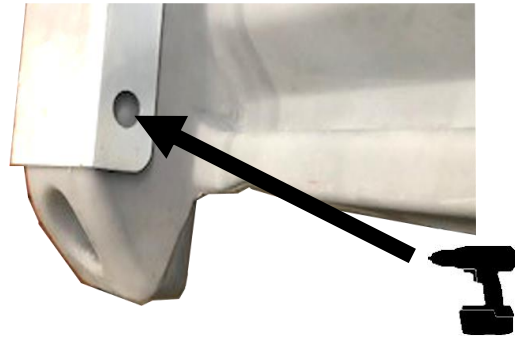


## Maxim 3000 directions Continued

While keeping the Cradles in place, remove the strap. Transfer drill as described in step ( 4 ).

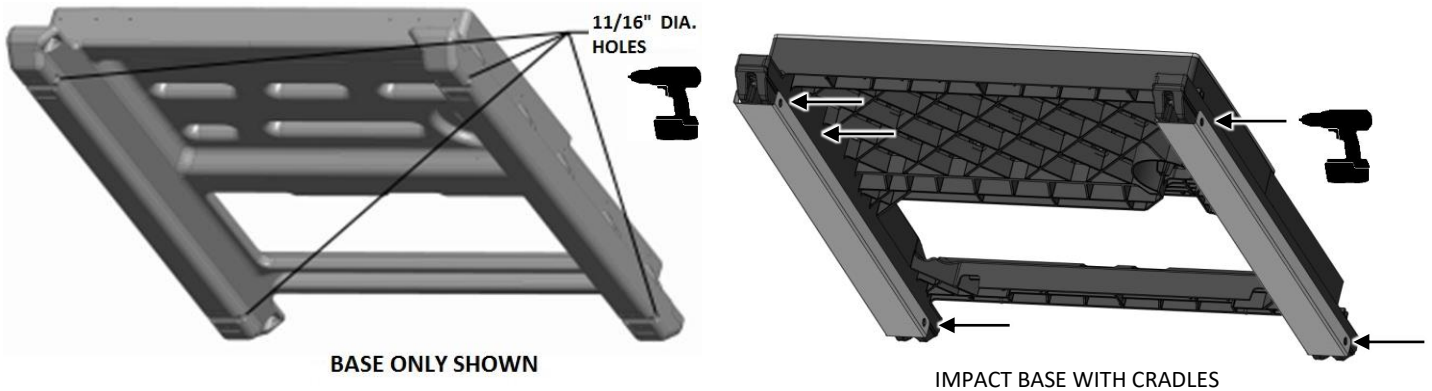
**DO NOT MOVE CRADLES ON RUNNERS OF BASE.**

### MAXIM 3000 ROTO MOLD BASE



#### 4. Transfer drill (4) 11/16" holes through the Runners of the Base ( skids ).

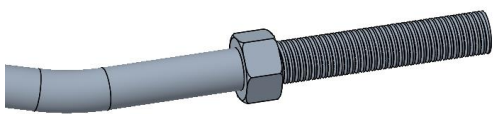
- Use the holes in the cradles to align drill.
- **Keep cradle flat against bottom of base skids.**
- Drilling from each side of skid may be needed.



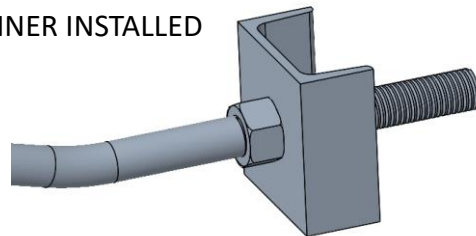
#### 5. Install Retainer on Spreader.

- Thread 3/4" nut onto the spreader bar until it is to the end of the threads, *as shown*.
- Insert the spreader bar through the hole in retainer, *as shown*.
- Bind A Sling tightly closed, *as shown*. ( *Helps to install Retainer* )

NUT FULLY INSTALLED



RETAINER INSTALLED



SLING TIED CLOSED

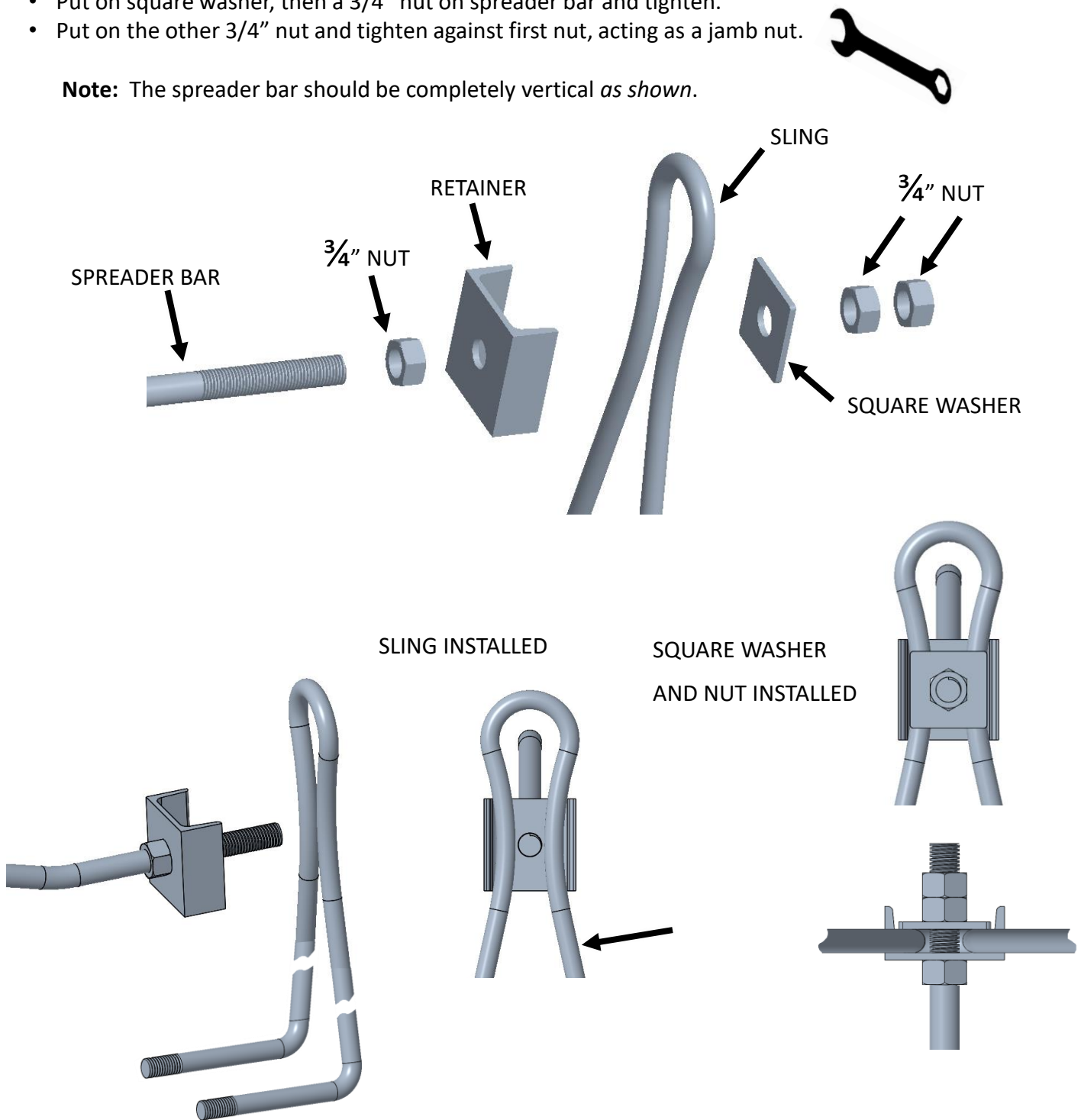


TAPE OR ZIP TIE

## 6. Assemble Spreader Bar to a Sling.

- Insert the spreader bar through the sling at the narrowest point with retainer over the sling.
- Put on square washer, then a 3/4" nut on spreader bar and tighten.
- Put on the other 3/4" nut and tighten against first nut, acting as a jamb nut.

**Note:** The spreader bar should be completely vertical *as shown*.

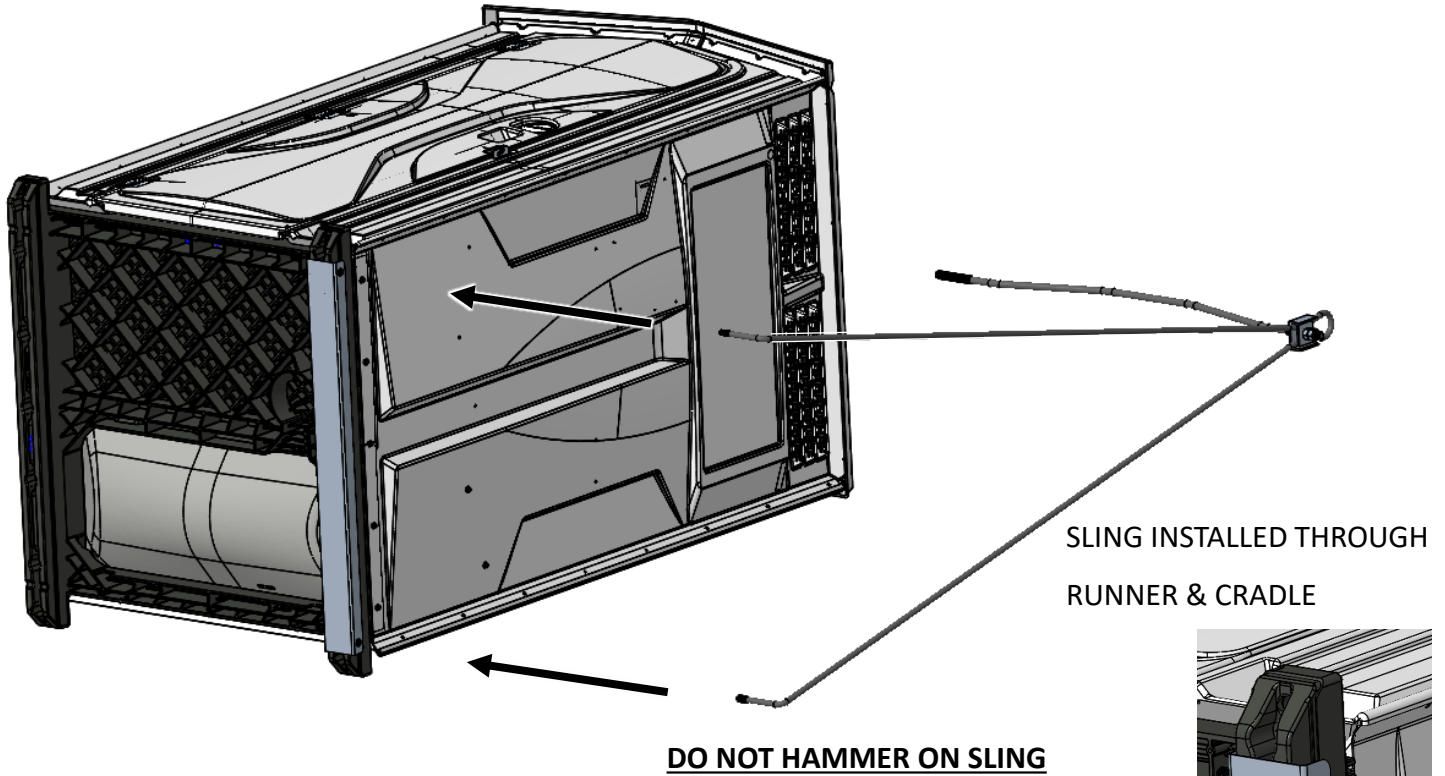


**Note:**

**Follow directions closely. If you have any questions or concerns, contact Satellite Industries. If parts become damaged or deformed during the assembly process stop immediately and contact Satellite Industries.**

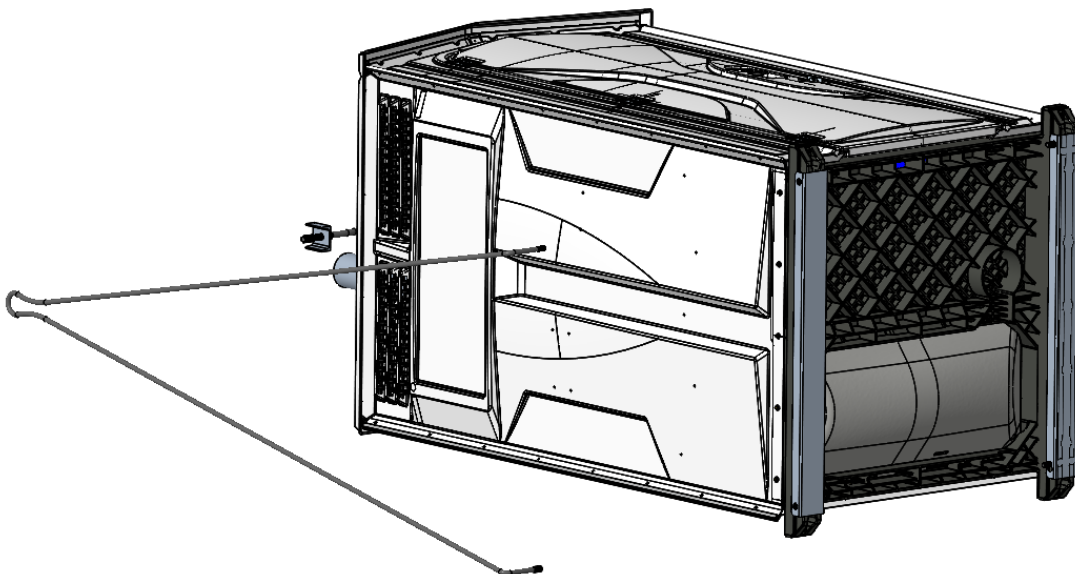
## 7. Install Sling / Spreader assembly

- Carefully remove sling bindings.
- Insert threaded Sling ends through the holes in the cradles and base, *as shown*.
- Insert one threaded end of sling completely through hole in cradle & base, then insert other.



## 8. Install remaining Sling

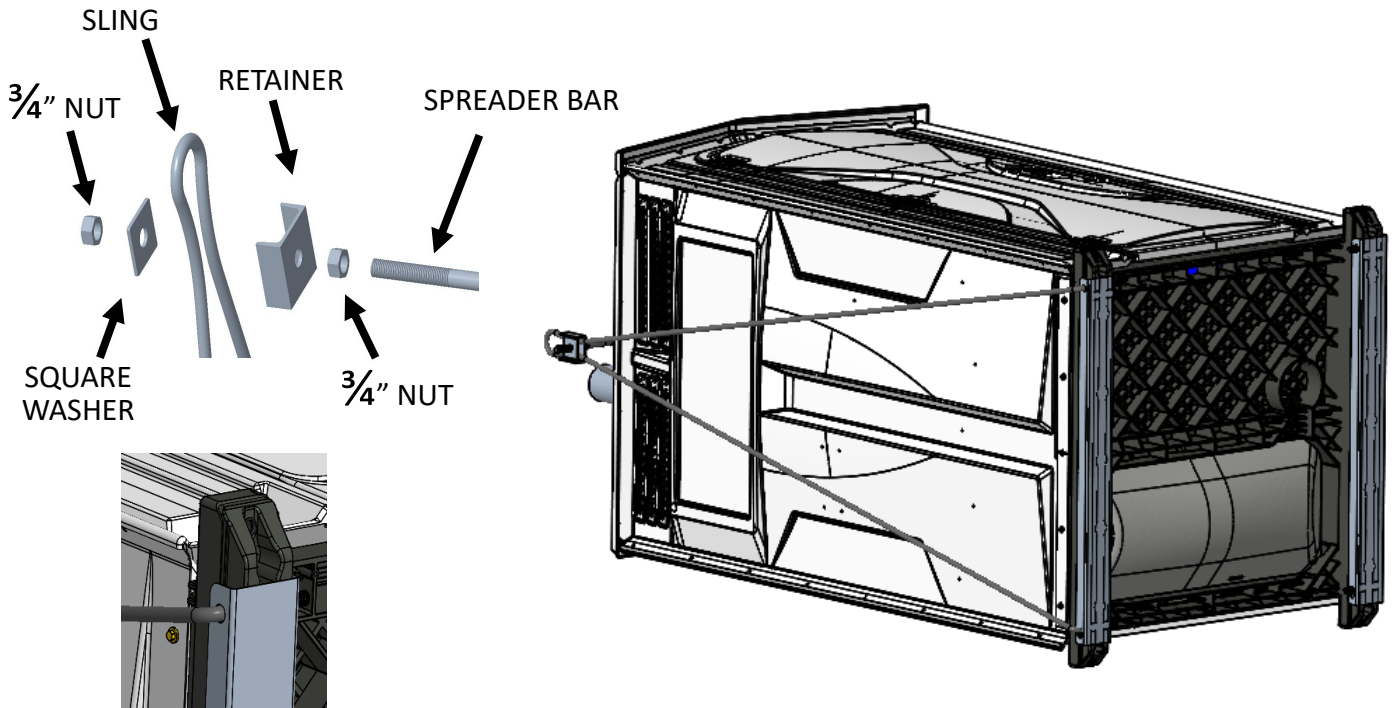
- Install nut and retainer ( *as shown in step 5* )
- Insert bottom threaded Sling end through the holes in the cradles and base, *as shown*.
- Bind A Sling tightly closed, *as shown*. ( Helps to install Retainer )



## 8. Continued

- Install sling. ( *as shown in step 6* )
- Install square washer and nut LOOSELY, FINGER TIGHTENED.
- Carefully remove sling bindings.
- Insert remaining threaded end of sling completely through hole in cradle & base.

*If other end cannot be inserted by hand completely into hole, re-drilling hole in the base.*



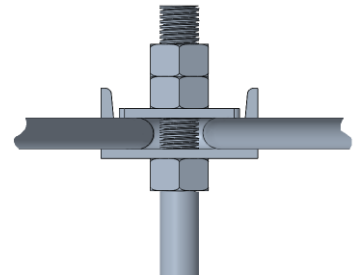
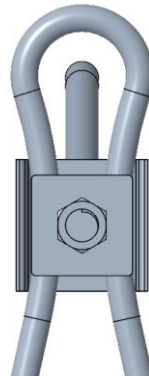
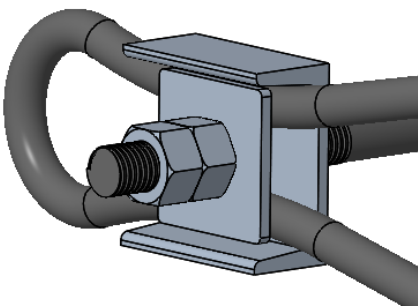
## 8. Continued

- Using a wrench tighten nut against square washer.
- Install remaining nut and fully tighten, ( *as shown in step 6* ).

**NOTE SPREADER BAR ASSEMBLY MUST BE TIGHT AND SECURELY FASTENED WITHOUT DAMAGE.**



PROPERLY ASSEMBLED AND TIGHTENED

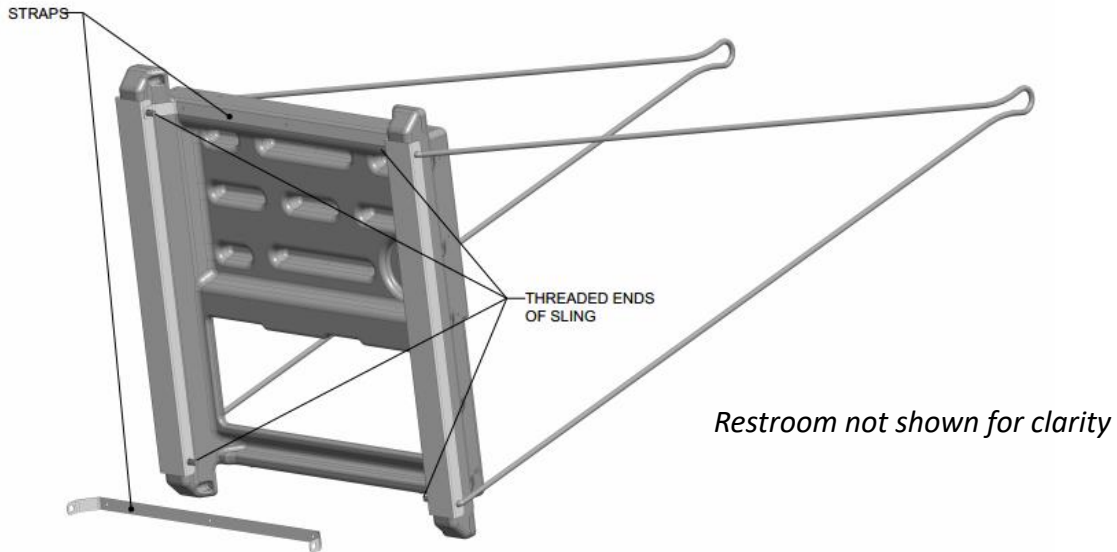


### Note:

**If parts become damaged or deformed during the assembly process stop immediately and contact Satellite Industries.**



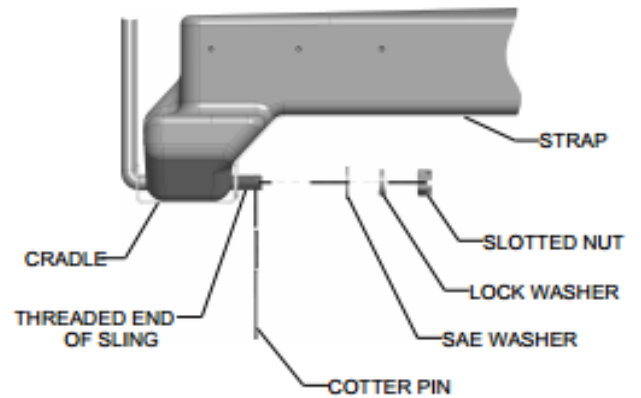
**9. Install (2) straps** onto the threaded ends of the slings. Straps will align with crossmembers *as shown*.



**10. Install (in this order) on all threaded sling ends:**

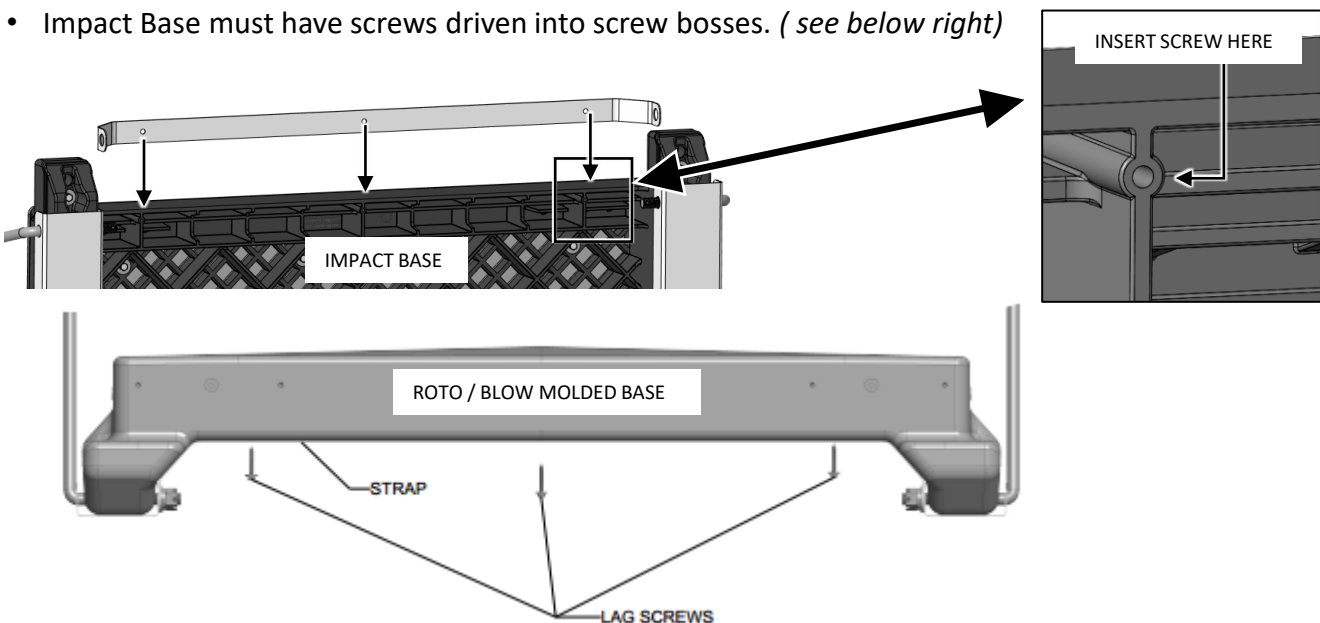
- 5/8" washer, 5/8" lock washer, 5/8" slotted nut, and cotter pin.
- Install cotter pin through hole in sling and slot in nuts.
- Bend ends of cotter pin to secure.

*NOTE: Tighten slotted nut enough to allow cotter pin to be installed through holes and nut slots. DO NOT OVER TIGHTEN.*



**11. Install (6) lag screws (3 on each strap) as shown.**

- Start with screw in center hole of strap.
- Impact Base must have screws driven into screw bosses. (*see below right*)



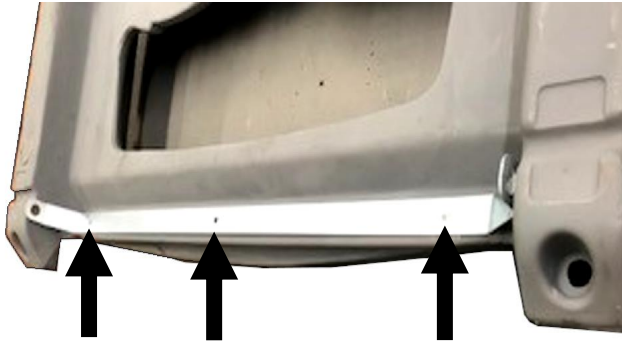
---

**11. Continued** For Maxim 3000 with Roto Molded Base

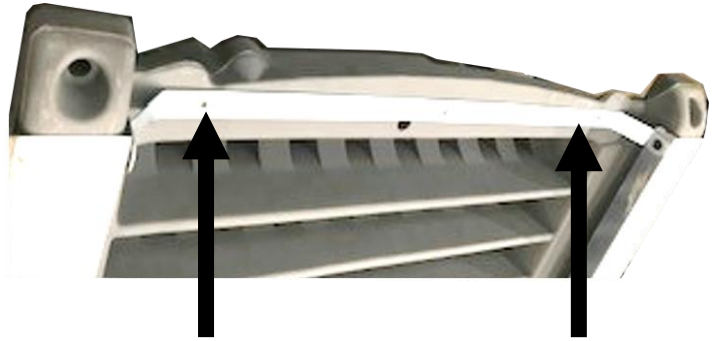
Install (5) lag screws (3 on rear strap / 2 on front strap) as shown.

- Start with screws in outside holes of rear strap & then center hole.

**MAXIM 3000 ROTO MOLD BASE 3 screws**  
in rear strap



**MAXIM 3000 ROTO MOLD BASE 2 screws** in front strap outside 2 holes only, no screw in center hole.  
NO SCREW in center hole.



---

**12. Place decal on each side panel as shown.**



DECAL ON  
BOTH SIDES

**12. Inspect assembly**

- *Inspect lift assembly to verify that all components have been installed properly according the instructions and that no parts become damaged or deformed during the assembly process*



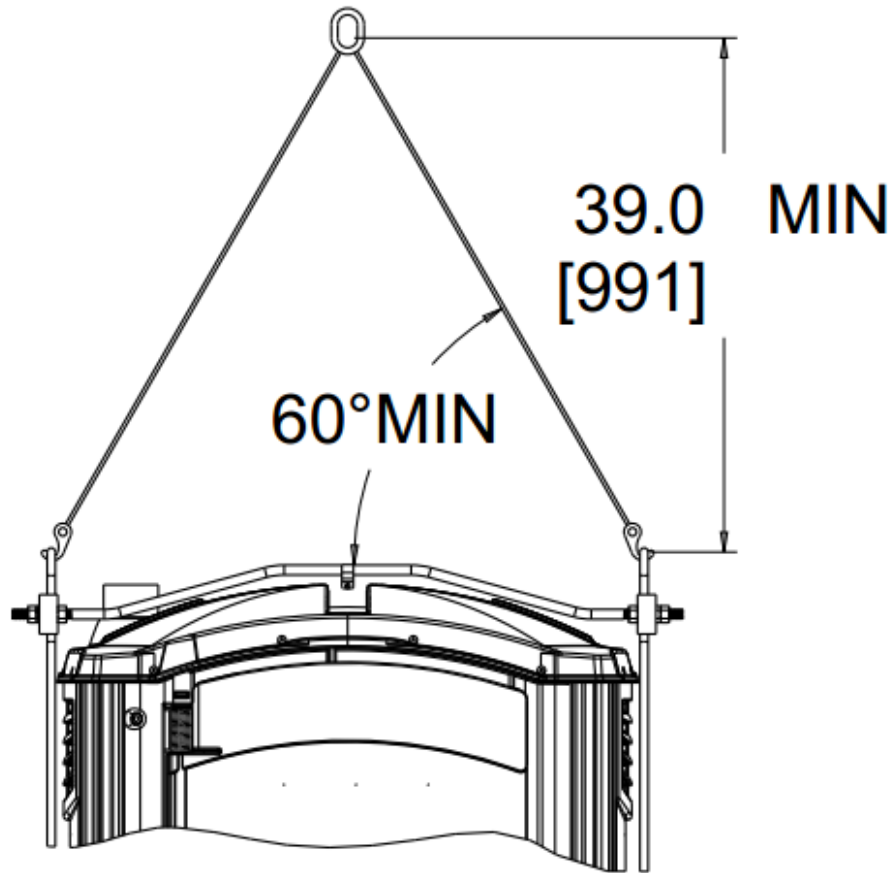
**SEE NEXT PAGE FOR IMPORTANT LIFTING  
INSTRUCTIONS**

**\*\*WORKING LOAD LIMIT 1014 lbs. MAX \*\***

**\*\*NOT TO BE USED FOR HUMAN TRANSPORT \*\***

**\*\*INSPECT BEFORE EACH USE, DO NOT USE WITH DAMAGED PARTS \*\***

**NOTE:** When lifting by crane or etc., **LIFT ONLY BY USING BOTH RING ENDS OF THE SLINGS!**  
60° minimum lift angle (horizontal to sling side) as shown:



2530 Xenium Lane North, Minneapolis, MN 55441  
Telephone: 763-553-1900 Fax: 763-553-1905  
800-328-3332 / [www.satelliteindustries.com](http://www.satelliteindustries.com)