

HEAVY-DUTY ALUMINUM

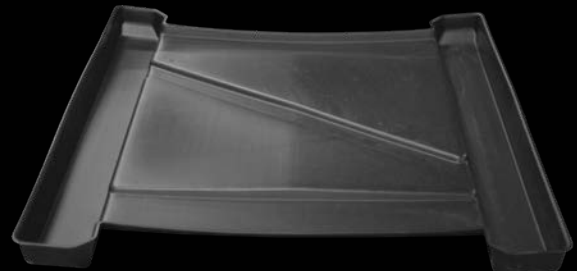
PIONEER TRAILERS



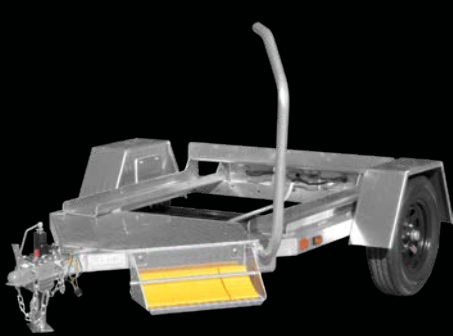
PIONEER 1, PIONEER 2 & PIONEER 2+

Introducing the Pioneer Trailer line, Satellite Vacuum Trucks now offers three heavy-duty aluminum trailers for hauling restrooms and sinks. Built to withstand the most rugged terrain, the Pioneer Trailer's small foot print increases maneuverability and functionality.

- **TRAILER FINISH:** 3" x 1/4" aluminum square tube frame covered with aluminum diamond plate creates a strong non-slip surface for customers and operators alike.



Pioneer Trailer Containment Tray
(Optional)



PIONEER 1

Satellite Vacuum Trucks Pioneer 1 trailer is great for first responders and construction sites, where mobility is a must. Built with a heavy-duty aluminum frame and a small foot print, this trailer can squeeze into tight areas and withstand the most rugged terrain. Designed for quick placement, the Pioneer 1 Trailer is equipped with a wheel chock holder that doubles as a step making this trailer functional and versatile.

SPECS

Height: 25.5"

Width: 71.37"

Length: 98.3"

#of Units: 1

#of Sinks: 0



PIONEER 2

The Pioneer 2 Trailer is great for first responders and construction sites that need more than just one restroom and where mobility is a must. Easy fold-down steps in the rear and a wheel chock holder in the front that doubles as a step, gives access to both restrooms without having users cross paths. Built with a heavy-duty aluminum frame and a small foot print, this trailer can squeeze into tight areas and withstand the most rugged terrain.

SPECS

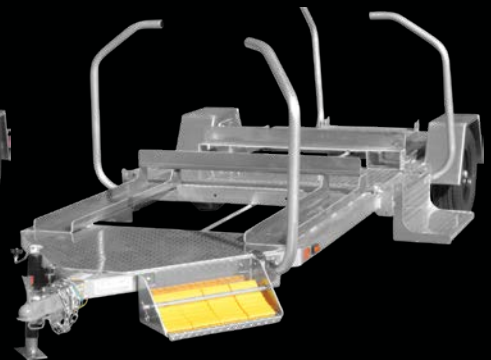
Height: 25.5"

Width: 71.37"

Length / Steps: 161.29" / 173.15"

#of Units: 2

#of Sinks: 0



PIONEER 2+

The Pioneer 2+ Trailer brings a little extra to every job-site and emergency response team. Equipped with two spots for restrooms and one sink this trailer can handle any situation. Individual access to each restroom and dual side access to the sink assures no users will cross paths. Built with a heavy-duty aluminum frame and a small foot print, this trailer can squeeze into tight areas and withstand the most rugged terrain.

SPECS

Height: 25.5"

Width / Steps: 71.37" / 83.47"

Length / Steps: 191.29" / 203.15"

#of Units: 2

#of Sinks: 1