

### STANDARD TOILET SPECIFICATIONS

HEIGHT STANDARD ROOF: 89" (2260MM)

STANDARD TANK VOLUME: 60 GAL (227L)

HEIGHT KEYSTONE ROOF: 92" (2336MM)

FLOOR SPACE: 41"-21" (1041MM X 533MM)

LENGTH: 47" (1194MM)

SEAT HEIGHT: 18" (457MM)

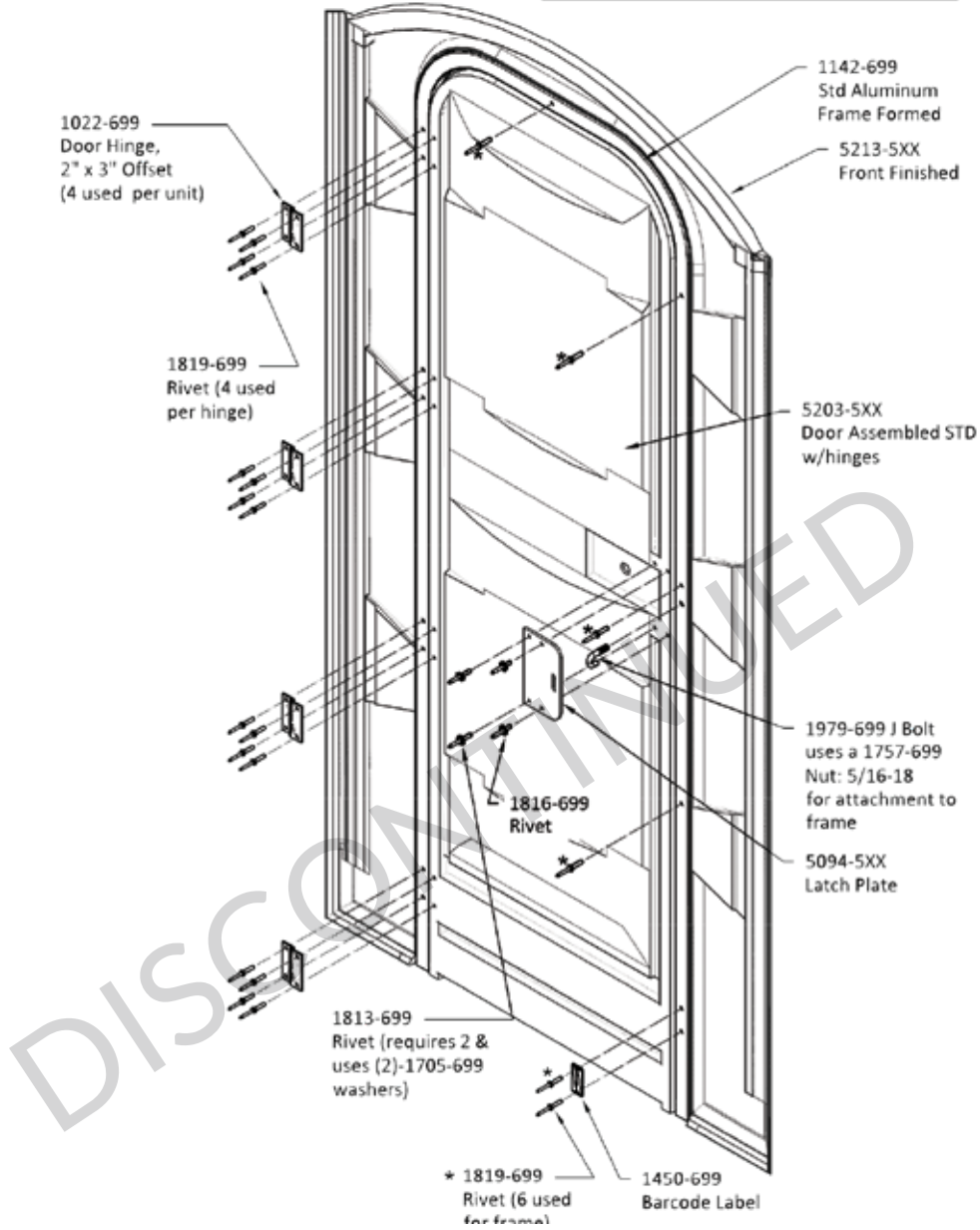
WIDTH: 43" (1092MM)

DOOR SPACING: 73" X 24" (1854MM) X 610MM)

WEIGHT (ROTO BASE): 161 lbs (73kg)

PART#	QPU	DESCRIPTION
<b>SIDE ASSEMBLY</b>		
11030	8	RIVET: ABL66A (CORNERS, URINAL, TP COVER, VENT SCREENS)
11315	9	WASHER: ALUMINUM 3/16
22543	1	RIVET: ABL610A (FOR BOTTOM OF CORNERS, DOOR LATCH BRACKET)
23043	6	WHITE VENT SCREEN - COMPLETE
11030	2	RIVET: ABL66A (CORNERS, URINAL, TP COVER, VENT SCREENS)
11315	2	WASHER: ALUMINUM 3/16
<b>TOP ASSEMBLY</b>		
22920-99S	1	WHITE STANDARD T-11 TOP - COMPLETE / STANDARD UNIT
11030	20	RIVET: ABL66A (CORNERS, URINAL, TP COVER, VENT SCREENS)
11315	20	WASHER: ALUMINUM 3/16
5422-500-99S	1	WHITE KEYSTONE T-22 TOP - COMPLETE / STANDARD UNIT
11030	20	RIVET: ABL66A (CORNERS, URINAL, TP COVER, VENT SCREENS)
11315	20	WASHER: ALUMINUM 3/16
<b>INTERNAL COMPONENTS</b>		
22917	1	MOLDED GRAY 3 ROLL TP HOLDER (NEW STYLE) - COMPLETE
11030	4	RIVET: ABL66A (CORNERS, URINAL, TP COVER, VENT SCREENS)
11315	4	WASHER: ALUMINUM 3/16
10891-99S	1	COAT HOOK - COMPLETE/STANDARD UNIT
1812-699	2	RIVET: AB68A
11315	2	WASHER: ALUMINUM 3/16
1032-699-99	1	MIRROR STANDARD - COMPLETE
11027	4	RIVET: AB66A-SHORT/SMALL HEAD
11315	4	WASHER: ALUMINUM 3/16
1051-699	1	TOILET PAPER ROD FOR 3 ROLL TP HOLDER (BLACK)
4028-605-99	1	URINAL: SMALL - COMPLETE
11030	2	RIVET: ABL66A (CORNERS, URINAL, TP COVER, VENT SCREENS)
11315	2	WASHER: ALUMINUM 3/16
22199	2	RIVET: TRI-CLAMP AL0625ATB (VANTAGE ASSEMBLY)
7027-605-99	1	GRAY VENT STACK 63" - COMPLETE
7027-605	1	GRAY VENT STACK 63"
18755	1	RIVET: ABL064 <sup>0</sup> (VENT STACK)
<b>BASE AND TANK</b>		
23045S	1	SKID: GRAY MOLDED - COMPLETE / STANDARD
1709-699	19	WASHER: WHITE PLASTIC 1/4 X 1.25
13860	19	SCREW: LAG 1/4 X 1 1/2 FOR STD. UNIT
1930-699	4	SCREW: 1/4-20 X 2-1/4 SS PHILLIPS FLAT
15469	4	NUT: 1/4-20
1713-699	4	WASHER: 1/4" STAINLESS FLAT
23046-99	1	TANK: 60-GAL - STANDARD (NO SEAT) - COMPLETE
1815-699	7	RIVET: ABL612A (TANK)
11315	7	WASHER: ALUMINUM 3/16
10570	1	BLACK TOILET SEAT & COVER - OPEN FRONT

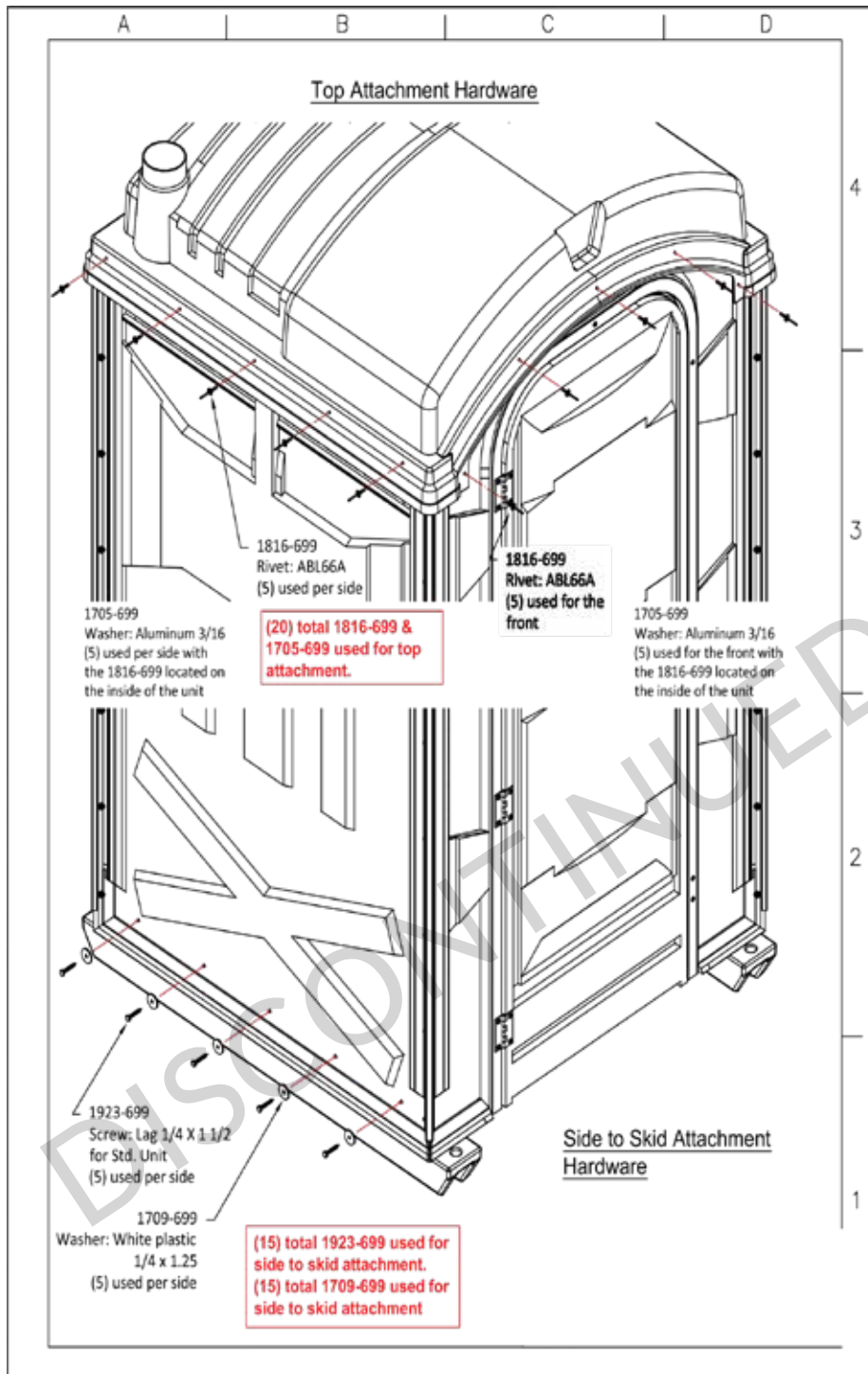
Outer Door & Frame Parts



STANDARD COLOR CHART

	Aqua	Blue	Gray	Green	Lime	Orange	Pink	Red
Front Part #			05				10	1
Panel Part #	01	03	05	06	08	09	10	11
	Silver	Tan	Maroon	Yellow	Turbo Blue	Dark Blue	Grass Green	Purple
Front Part #		13	14	17				27
Panel Part #	12	13	14	17	21	24	26	27

PART#	QPU	DESCRIPTION
<b>FRONT AND DOOR ASSEMBLY</b>		
5205-5XX-99	1	BLUE FRONT & DOOR STANDARD - COMPLETE
5203-5XX	1	DOOR ASSEMBLED STD W/HINGES
5094-503	1	BLUE LATCH PLATE
1022-699	4	DOOR HINGE, 2X3 OFFSET (STD. UNITS)
1819-699	8	RIVET: AD610BSP (FRAME APP., HINGE APP.)
11030	2	RIVET: ABL66A (CORNERS, URINAL, TP COVER, VENT SCREENS)
22543	2	RIVET: ABL610A (FOR BOTTOM OF CORNERS, DOOR LATCH BRACKET)
11315	2	WASHER: ALUMINUM 3/16
5213-5XX	1	FRONT FINISHED
1142-699	1	STD ALUMINUM FRAME FORMED
11315	4	WASHER: ALUMINUM 3/16
11030	5	RIVET: ABL66A (CORNERS, URINAL, TP COVER, VENT SCREENS)
1819-699	13	RIVET: AD610BSP (FRAME APP., HINGE APP.)
1048-599	1	KICK PLATE FINISHED - GALVANIZED METAL
1450-699	2	BARCODE LABEL
13860	4	SCREW: LAG 1/4 X 1 1/2 FOR STD. UNIT
1709-699	4	WASHER: WHITE PLASTIC 1/4 X 1.25
1930-699	4	SCREW: 1/4-20 X 2-1/4 SS PHILLIPS FLAT
1713-699	4	WASHER: 1/4" STAINLESS FLAT
15469	4	NUT: 1/4-20
11030	21	RIVET: ABL66A (CORNERS, URINAL, TP COVER, VENT SCREENS)
11315	23	WASHER: ALUMINUM 3/16
22543	2	RIVET: ABL610A (FOR BOTTOM OF CORNERS, DOOR LATCH BRACKET)
1090-699-99S	1	DOOR SLIDE & BRACKET - COMPLETE / STANDARD
1090-699-K	1	DOOR SLIDE WITH LABEL
1154-699	1	BRACKET TO ATTACH DOOR SLIDES
17436	6	RIVET: 688 TRI-BULB (COAT HOOK, MIRROR, SLIDE LATCH BRACKET)
1091-799-99	1	WIND CABLE & BRACKETS - COMPLETE
11027	4	RIVET: AB66A-SHORT/SMALL HEAD
11315	2	WASHER: ALUMINUM 3/16
1099-699-99	1	CABLE & SPRING, BRACKET, CLIP - COMPLETE
1098-699	1	SPRING CLIP
1099-699	1	5" CABLE & SPRING - STANDARD UNIT
1100-699	1	SPRING BRACKET, NEW STYLE
<b>SIDE ASSEMBLY</b>		
5421-5XX-99	3	SIDE - COMPLETE
11030	21	RIVET: ABL66A (CORNERS, URINAL, TP COVER, VENT SCREENS)
11315	23	WASHER: ALUMINUM 3/16
22543	2	RIVET: ABL610A (FOR BOTTOM OF CORNERS, DOOR LATCH BRACKET)
13860	5	SCREW: LAG 1/4 X 1 1/2 FOR STD. UNIT
1709-699	5	WASHER: WHITE PLASTIC 1/4 X 1.25
22989	4	CORNER MOLDING WHITE - COMPLETE



PART#	QPU	DESCRIPTION
<b>Hardware</b>		
1820-699	2	RIVET: AD610SS (FOR TOP OFFSET DOOR HINGE)
1949-699	4	SCREW: 1/4-20 X 2-1/4 PHILLIPS FLAT HEAD
1980-699-99	1	J BOLT & NUT - COMPLETE
1979-699	1	J BOLT
1757-699	1	NUT: 5/16-18
1981-699	3	NAIL: ROOFING 1.25" LONG GALVANIZED
1047-699	1	ALUM THRESHOLD: PUNCHED / FINISHED / STANDARD UNIT

STANDARD SIZE RESTROOM UPGRADE ASSEMBLY

PART#	QPU	DESCRIPTION
<b>SFlush Hose Assemblies - Hand Pump (Any PolyPortables Skid)</b>		
<b>Recirculating Flush</b>		
4405-599R	1	RECIRC HAND FLUSH TANK - ASSEMBLED
4035-605-99	1	TANK: 40-GAL FT FLUSH LID (NO SEAT) - COMPLETE
1815-699	4	RIVET: ABL612A (TANK)
1802-699	4	RIVET: ABL616A
11315	8	WASHER: ALUMINUM 3/16
1125-699	1	DECAL: AMBASS."FLUSH PLEASE"
4275-799R	1	FLUSH HOSE ASSEMBLY-RECIRC HAND FLUSH
4277-799	1	FLUSH INTAKE HOSE ASSEMBLY-RECIRC-HAND FLUSH
19173	1	HAND PUMP - WHALE URCHIN FOR FLIP TOP
1269-699	2	HOSE CLAMP #16 11/16" TO 1-1/2"DIA 1/2"W S/S WORM DRIVE CLAMP W/ 300 S/S SCREW
4271-699	1	DISCHARGE NOZZLE FOR FLIP-TOP TANK
1721-699	1	NUT FOR DISCHARGE NOZZLE
4269-599-	1	HOSE ASSEMBLY - DISCHARGE HAND PUMP
4285-699	1	DISCHARGE NOZZLE SPACER
<b>Fresh Flush</b>		
4403-599F	1	FRESH HAND FLUSH TANK - ASSEMBLED
4035-605-99	1	TANK: 40-GAL FT FLUSH LID (NO SEAT) - COMPLETE
4275-799F	1	FLUSH HOSE ASSEMBLY-FRESH HAND FLUSH
4271-699	1	DISCHARGE NOZZLE FOR FLIP-TOP TANK
1721-699	1	NUT FOR DISCHARGE NOZZLE
1298-599-03	2	HOSE 1" DIAM-3" LONG
1299-599-32	1	HOSE-3/4" CLEAR-32" LONG
1269-699	4	HOSE CLAMP #16 11/16" TO 1-1/2"DIA 1/2"W S/S WORM DRIVE CLAMP W/ 300 S/S SCREW
19173	1	HAND PUMP - WHALE URCHIN FOR FLIP TOP
1601-699	1	WHITE (NYLON) ADAPTER 3/4 MP X 1" BARBED
1956-699	1	CHECK VALVE 2#
1228-699	1	CLAMP #8 7/16" TO 1"DIA 1/2"W S/S WORM DRIVE CLAMP W/ STEEL SCREW FOR 3/4 CLEAR
1610-699	2	WHITE (NYLON) ELBOW, 3/4" MP X 3/4" BARBED
1240-699	1	ADAPTER 3/4" MP X 1/2" BARBED
1243-699	1	CLEAR PVC TUBING 1/2 ID X 3/4 OD REINFORCED
1224-699	2	HOSE CLAMP #6 5/16" TO 7/8"DIA 5/16"W S/S WORM DRIVE CLAMP W/ 300 S/S SCREW
1239-699	1	WHITE (NYLON) SWIVEL FEMALE 3/4 NPT X 1/2" BARB
4285-699	1	DISCHARGE NOZZLE SPACER
1235-699	1	HOSE MENDER: 1" BARB X 3/4" BARB, GRAY PVC
<b>Combo Flush</b>		
4275-799	1	FLUSH HOSE ASSEMBLY-COMBO HAND FLUSH
4035-605-99	1	TANK: 40-GAL FT FLUSH LID (NO SEAT) - COMPLETE

# STANDARD SIZE RESTROOM UPGRADE ASSEMBLY

PART#	QPU	DESCRIPTION
<b>FLUSH HOSE ASSEMBLIES - FOOT PUMP (POLYPORTABLES PLASTIC MOLDED FLUSH BASE)</b>		
<b>RECIRCULATING FLUSH</b>		
1325-599-99	1	ASSEMBLY-PUMP AND HOSE FLUSH-PLASTIC FLUSH SKID ONLY (INCLUDES BOOT)
4275-699R	1	FLUSH HOSE ASSEMBLY-RECIRC FOOT FLUSH-INTERNAL HOSES ONLY
4035-605-99	1	TANK: 40-GAL FT FLUSH LID (NO SEAT) - COMPLETE
<b>Fresh Flush</b>		
1325-599-99	1	ASSEMBLY-PUMP AND HOSE FLUSH-PLASTIC FLUSH SKID ONLY (INCLUDES BOOT)
4275-699F	1	FLUSH HOSE ASSEMBLY-FRESH FOOT FLUSH-INTERNAL HOSES ONLY
4035-605-99	1	TANK: 40-GAL FT FLUSH LID (NO SEAT) - COMPLETE
<b>Combo Flush</b>		
1325-599-99	1	ASSEMBLY-PUMP AND HOSE FLUSH-PLASTIC FLUSH SKID ONLY (INCLUDES BOOT)
4275-699	1	FLUSH HOSE ASSEMBLY-COMBO FOOT FLUSH-INTERNAL HOSE ASSEMBLY
4035-605-99	1	TANK: 40-GAL FT FLUSH LID (NO SEAT) - COMPLETE
<b>PUMP ACCESSORIES</b>		
1006-699	1	SERVICE KIT FOR WHALE HAND PUMP
1325-699	1	FOOT PUMP- BOSWORTH FOR FLUSH WITH RUBBER BOOT
19173	1	HAND PUMP- WHALE URCHIN FOR FLIP TOP
<b>BASE OPTIONS</b>		
4410-599	1	FLUSH SKID ASSEMBLY FOOT FLUSH
1786-600	1	FOOT PUMP- BOSWORTH FOR FLUSH WITH RUBBER BOOT
1786-600	4	SPACER: NYLON 1/2" ODX 1/4" ID X 3/8" LEAUSKID
1953-699	4	SCREW: 1/4-20 X 1-3/4 SS PHILLIPS FLAT HEAD
1759-699	4	NUT: LOCK 1/4-20 W/EXT LOCK WASHER SS
1713-699	4	WASHER: 1/4" STAINLESS FLAT
1299-599-40	2	HOSE-3/4" CLEAR-40" LONG
1228-699	2	CLAMP #87/16" TO 1" DIA 1/2" WS/S WORM DRIVE CLAMP W/STEEL SCREW FOR 3/4 CLEAR HOSE
1329-599	1	PUMP SKID PLATE FOR FLUSH UNITS
1965-699	9	SCREW: #8 X 1" PHILLIPS PAN HEAD SS
11315	9	WASHER: ALUMINUM 3/16
1965-699	9	SCREW: #8 X 1" PHILLIPS PAN HEAD SS
11315	9	WASHER: ALUMINUM 3/16
<b>ADDITIONAL ACCESSORIES</b>		
10891-99	1	COAT HOOK - COMPLETE
23048-99	1	MIRROR 6" X 8" STAINLESS STEEL - COMPLETE
1035-699	1	MIRROR 6" X 8" PLASTIC
1125-699	1	DECAL: AMBASS' FLUSH PLEASE"
1965-699	6	SCREW: #8 X 1" PHILLIPS PAN HEAD SS
4296-699	1	FLAPPER BOWL
5092-605-99	1	GRAY VANITY SHELF - COMPLETE
7202-699-99	1	MOTION ACTIVATED LIGHT - COMPLETE
9020-699-99	1	TOILET SEAT CLEANER - COMPLETE (INCLUDES DISPENSER, 1 REFIL, DECAL & HARDWARE)

## STANDARD SIZE RESTROOM UPGRADE ASSEMBLY

PART#	QPU	DESCRIPTION
Additional Accessories Continued		
9031-699	1	DECAL: TOILET SEAT CLEANER
1955-699	1	CHECK VALVE 1/2 LB
1956-699	1	CHECK VALVE 2#
4271-699	1	DISCHARGE NOZZLE FOR FLIP-TOP TANK
1721-699	1	NUT FOR DISCHARGE NOZZLE
1228-699	1	CLAMP #8 7/16" TO 1"DIA 1/2"W S/WORM DRIVE CLAMP W/STEEL SCREW FOR 3/4 CLEAR

DISCONTINUED