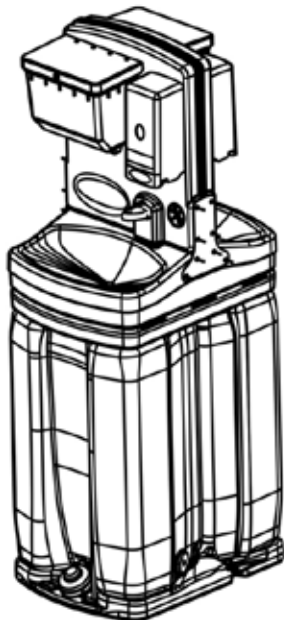
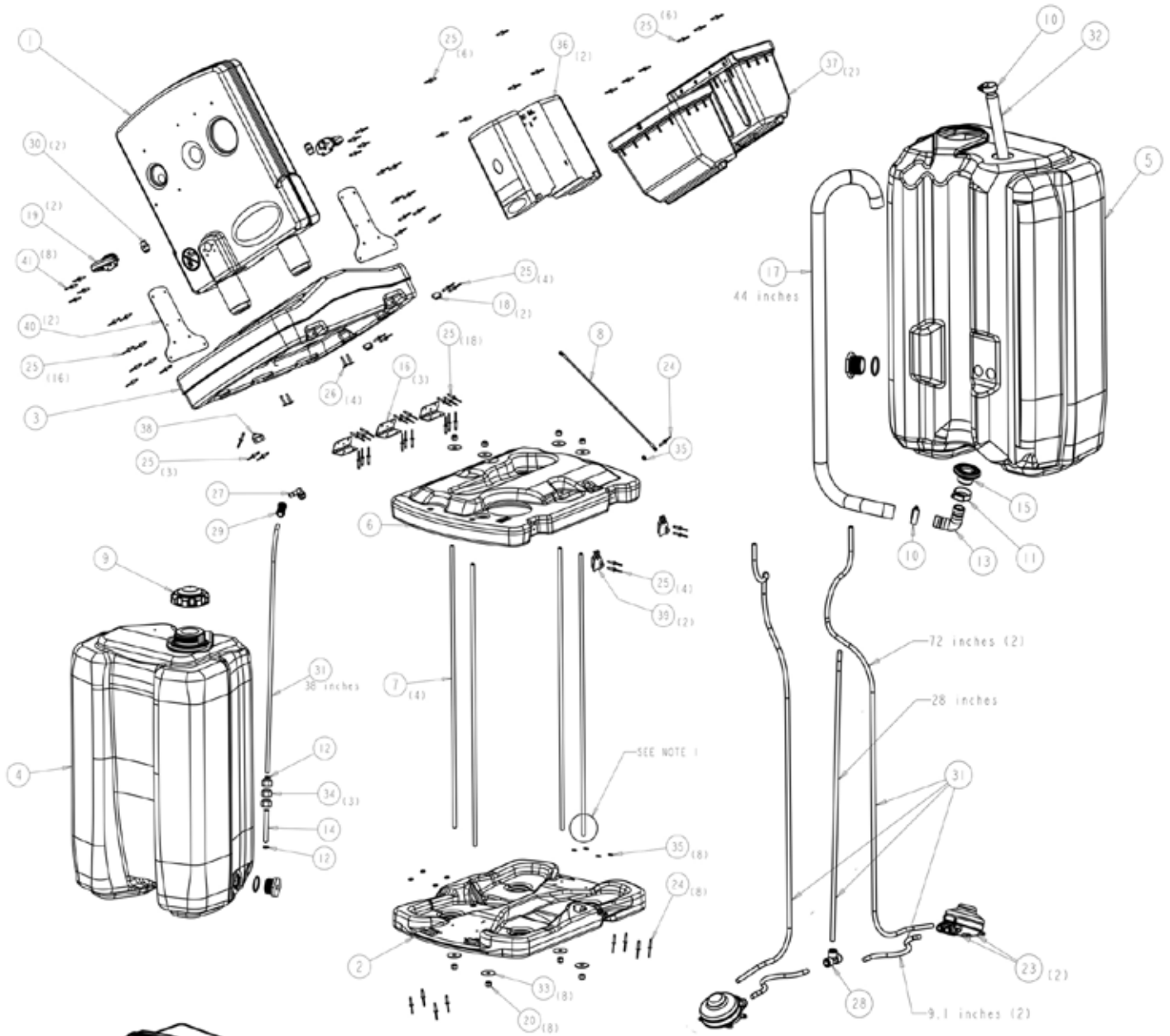


# TAG 4 MAJOR ASSEMBLY



TAG 4 SIZE SPECIFICATIONS	
HEIGHT: 51.75" (1240MM)	LENGTH: 29" (710MM)
WEIGHT: 70 lbs (31.75kg)	WIDTH: 17" (430MM)

REV F ITEM #	PART#	QPU	DESCRIPTION
1	23345	1	BACKSPLASH- TAG4 DGRY
2	23346	1	BASE- TAG4 DGRY
3	23344	1	BASIN- TAG4 DGRY
4	23342	1	TANK ASSY- TAG4 FRESHWATR DGRY
5	23343	1	TANK ASSY- TAG4 GREYWATER DGRY
6	23347	1	TOPCAP- TAG4 DGRY
7	23348	4	ROD- TAG4 THREADED
8	23457	1	CABLE- 15" TAG4
9	18344	1	CAP- 3-1/2IN W/VENT
10	12588	2	CLAMP- WORMDRIVE #12
11	19386	1	CLAMP- WORMDRIVE #16
12	21069	2	CLAMP- WORMDRIVE #4 STNLS
13	21294	1	ELBOW- 90 3/4INS X 3/4INS POLY
14	16829	1	FILTER- 1/2 X 3- 1/2 CYLINDER
15	21282	1	FITTING- PUMP OUT BREEZE II
16	23465	3	HINGE- 6 HOLE STNLS
17	14384	44"	HOSE- #44 FLEX
18	23376	2	STRIKE LATCH- 3674-00 STNLS
19	23458	2	NOZZLE- HOODED WATERFALL DGRY
20	52345	8	NUT- 3/8 NC NYLOC STNLS
23	16305	2	PUMP- BABY FOOT 3/8 HOSE INS
24	22207	9	RIVET- #68 AAP POP
25	17436	57	RIVET- AVDEL SILVER
26	22604	4	RIVET- TRI LOBE X 5/8 LF
27	22969	1	FITTING- TS 90DEG 3/8 HOSXSTEM
28	18345	1	TS FITTING- 3/8 HOS TEE
29	23534	1	TS FITTING- 1" BULKHEAD
30	16302	2	TS FITTING- 3/8 HOS X NPT
31	16304	228.2"	HOSE- 3/8 OD TUBING
32	23363	1	TUBE- 3/4 X 30IN PVC SCH40
33	23349	8	WASHER- 3/8 ID FENDER STNLS
34	19271	3	NUT- 5/8- 11 NC STNLS
35	11315	9	WASHER- 3/16 RIVET STNLS
36	20890	2	DISPENSER- 800ML IN BLACK
37	8150-605	2	TOWEL DISPENSER: GRAY
38	23372	1	BRACKET- TETHER MOUNT
39	23454	2	LATCH- TWIST BUTTERFLY STNLS
40	23461	2	PLATE- TAG4
41	18755	8	RIVET- AVDEL SILVER LONG