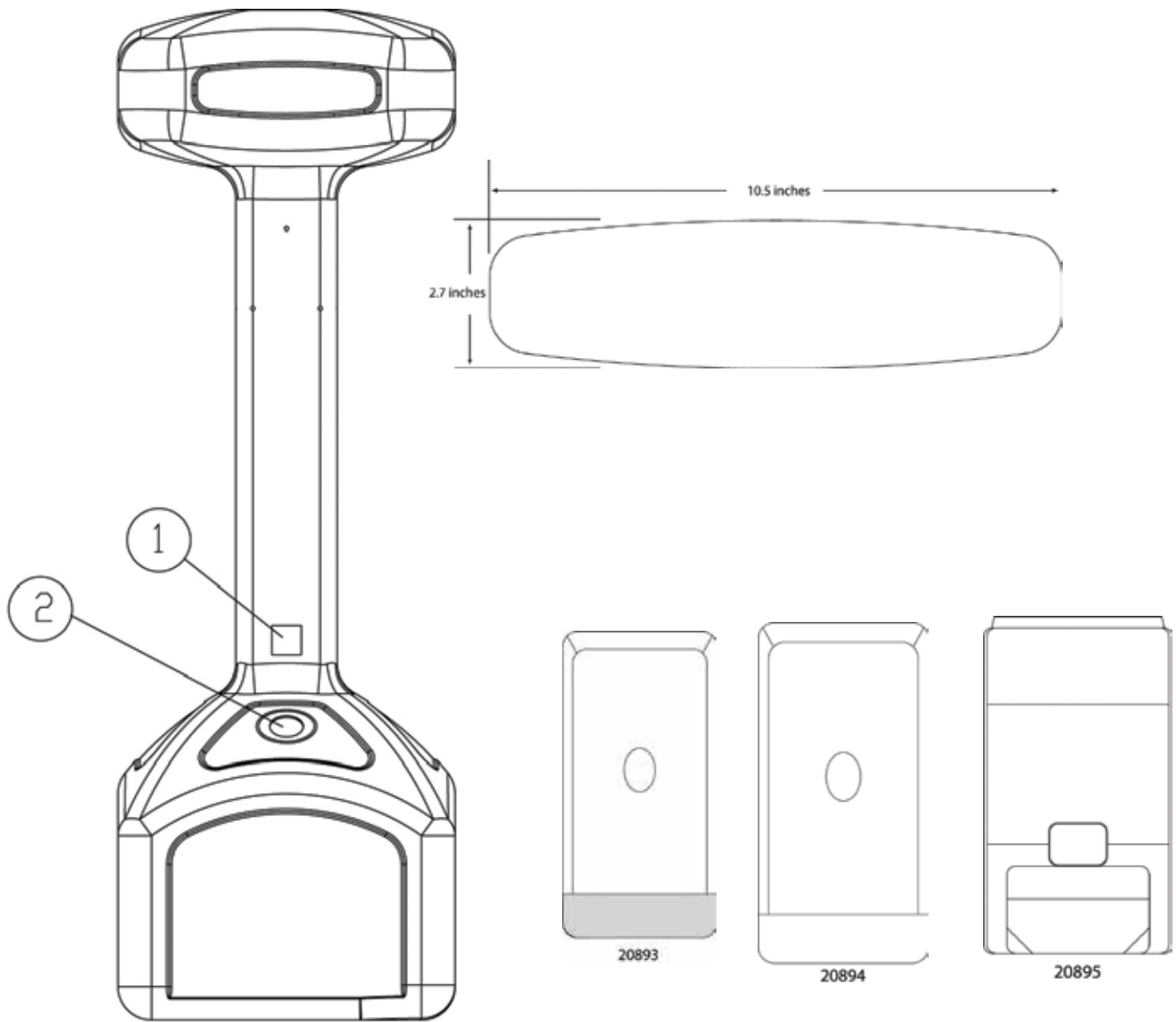


HANDISTAND



REV ITEM #	PART#	QPU	DESCRIPTION
	20847	NO DISPENSERS	HANDISTAND
	23552		KIT- 800ML DISPENSER (EA) BLACK
	23553		KIT- 1000ML DISPENSER (EA) BLACK
	20895		KIT- FOAM DISPENSER (EA) BLACK
	9801-699		DISPENSER 400ML
1	20889	1	DECAL- HANDISTAND STABILITY
2	21124	1	PLUG ASSY- 2in DOME W/TETHER
	21083	4	DECAL- HANDISTAND