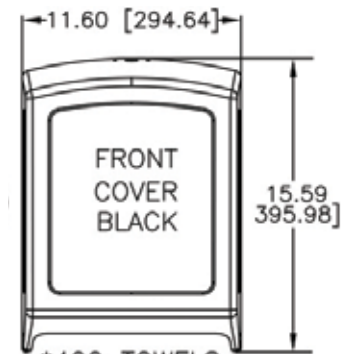
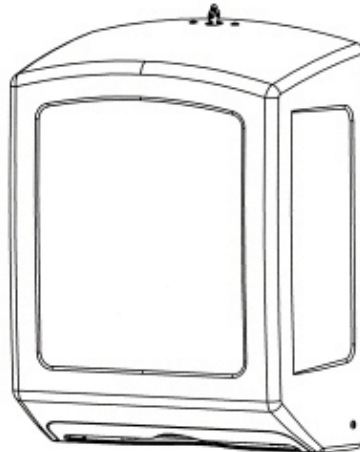
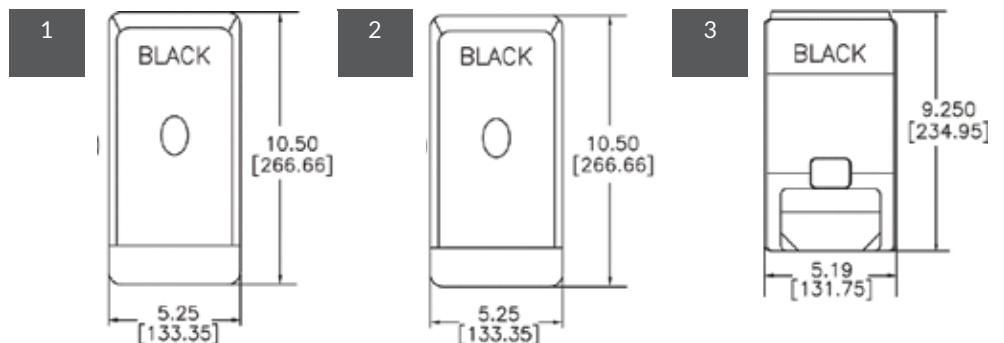


## TOWEL DISPENSERS



\*400 TOWELS  
\*C FOLD OR  
\*MULTI FOLD



## SOAP & SANITIZER DISPENSERS

REV ITEM #	PART#	QPU	DESCRIPTION	PRICE EACH
	21339	1	KIT- DISP P/TOWEL COMBO BLACK (5 PER CASE)	
	18365	1	HDWE- PAPER TOWEL DISPENSER	
1	20893	1	KIT- 800ML DISPENSER (EA) BLACK (12 PER CASE)	
2	20894	1	KIT- 1000ML DISPENSER (EA) BLACK (12 PER CASE) (20981)	
3	20895	1	KIT- FOAM DISPENSER (EA) BLACK (15 PER CASE) (20982)	

## SOAP & SANITIZER FOR DISPENSERS

USE W/ ITEM NUMBER	PART#	DESCRIPTION
1	19327	REFILL- H SANIT 800ML 12/C IPK (LIGHT GREEN)
1	19325	REFILL- SOAP 800ML 12/CS IPK (PINK)
2	19328	REFILL- H SANIT 1000ML 6/C IPK (LIGHT GREEN)
2	19326	REFILL- SOAP 1000ML 10/CS IPK (PINK)
3	33653	REFILL- FOAM SANIT 1L 8/CS (PURPLE)
3	33652	REFILL- FOAM SOAP 1L 6CS (LIGHT GREEN)
3	19009	REFILL- GEL ALCH SANI 1L 8/CS (GREEN)