
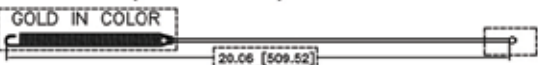

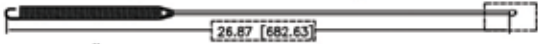

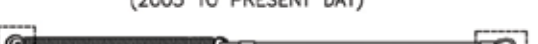

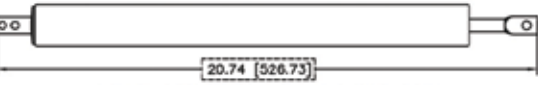
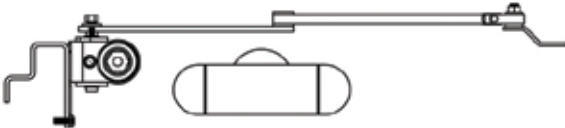







# DOOR CLOSURE CHART (INCLUDES DISCONTINUED MODELS - SEE PREVIOUS CATALOGS)

- 1  #10304 CLOSURE ASSY, TS (1982 TO 1986)
- 2  #10888 CLOSURE ASSY, TUFWAY DOOR (1986 TO PRESENT DAY)  
20.06 [509.52]
- 3  #14649 CLOSURE ASSY, DOOR MX2/TM II (1994 TO PRESENT DAY)  
20.06 [509.52]
- 4  #18054 CLOSURE ASSY, LIBERTY DOOR (2002 TO PRESENT DAY)  
26.87 [682.63]
- 5  #18704 CLOSURE ASSY, TAURUS (2005 TO PRESENT DAY)  
23.00 [584.20]
- 6  #18850 CLOSURE ASSY, HIGH TECH (1992 TO PRESENT DAY)  
USED ON TAURUS FRONTS FROM (1996 TO 2005)  
23.50 [596.90]
- 7  #18951 CLOSURE ASSY, HT2 DOOR (2006 TO PRESENT DAY)  
21.00 [533.40]
- 8  #18802 CLOSURE, WORLD CARE DOOR (1996 TO PRESENT DAY)  
20.74 [526.73]

- 9  #16559 CLOSURE ASSY, FREEDOM2 (1999 TO PRESENT DAY)
- 10  #19796 CLOSURE ASSY, TM DOOR (1991 TO 2010)

THESE CLOSURE ARE NO LONGER IN PRODUCTION, BUT SOME PARTS ARE STILL AVAILABLE.

- 11  #10303 CLOSURE ASSY, SS RETRO (1982 TO 1986) NOT AVAILABLE
- 12  #11124 SPRING CABLE ASSY, TS (1982 TO 1986) AVAILABLE
- 13  #10305 CLOSURE/LATCH ASSY, WCA (1988 TO 1995)
- 14  #14576 CLOSURE, AUTOMATIC DOOR (USED ON FREEDOM 1994 TO 2001)