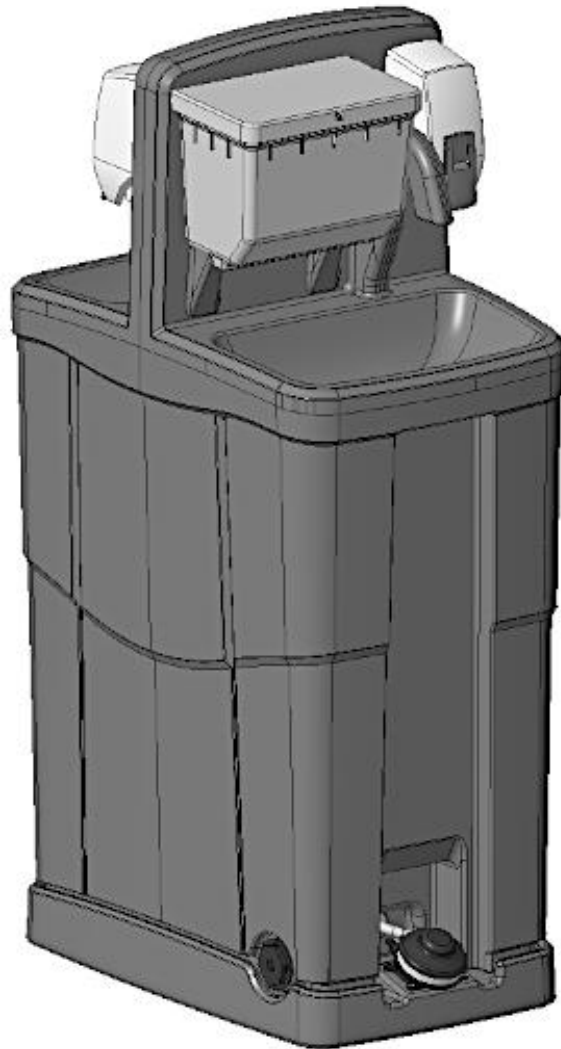


# ***TAG2 SPLASH PLUG***

## ***INSTRUCTIONS***



### **PARTS REQUIRED:**

- Kit- Tag2 Splash Plug ( ***PN 23862*** )  
Contained in Kit:
  - Foam Plug ( ***PN 23821*** ) QTY ( 2 )
  - Rivet- Avdel Silver ( ***PN 17436*** ) QTY ( 6 )

### **TOOLS REQUIRED:**

- Drill
- Rivet Gun
- Flat Screwdriver

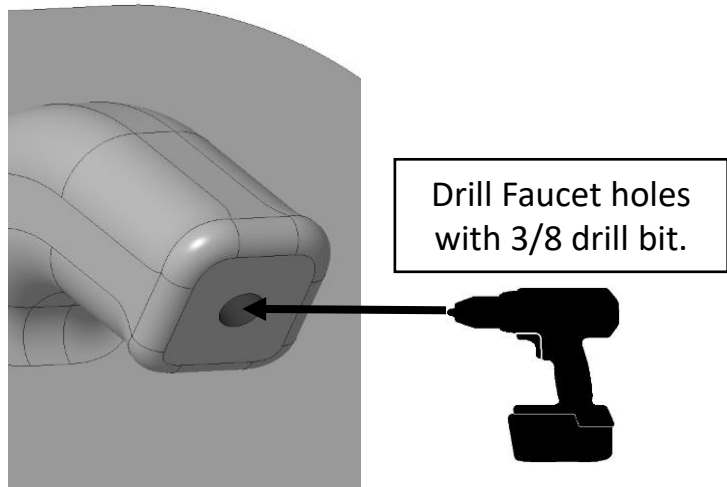
- 3/8 Drill Bit
- #10 Drill Bit



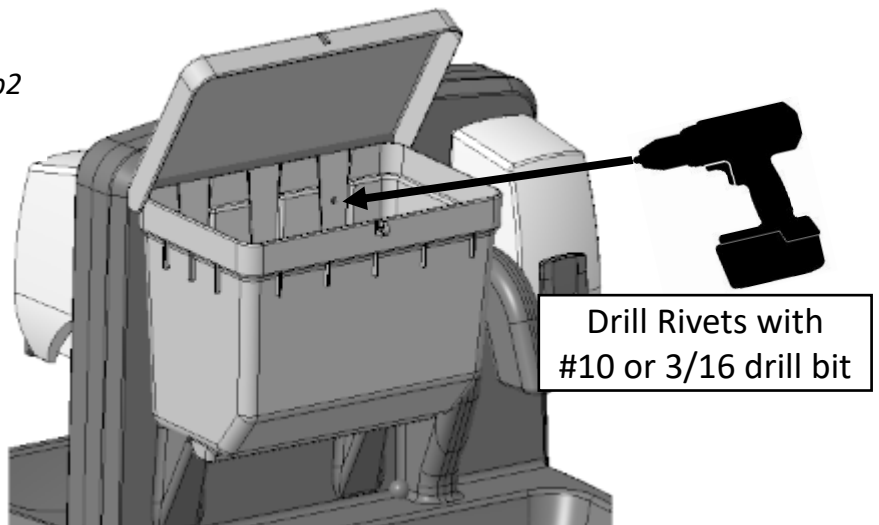
2530 Xenium Lane North, Minneapolis, MN 55441  
Telephone: 763-553-1900 Fax: 763-553-1905  
800-328-3332 / [www.satelliteindustries.com](http://www.satelliteindustries.com)

## TAG2 FOAM PLUG INSTALLATION

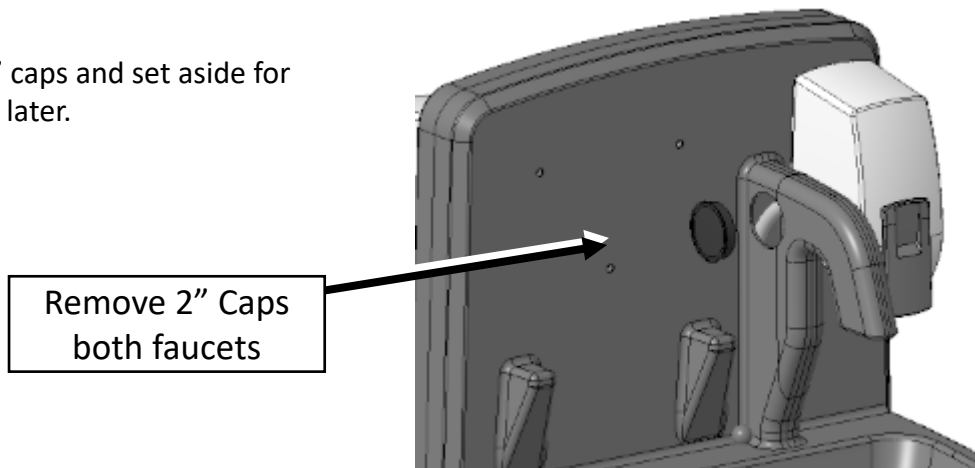
1. Enlarge faucet openings to 3/8" by drilling with 3/8" drill bit. *Note do not drill too deep, or the internal water line may become damaged.*



2. Remove towel dispensers by drilling out rivets with # 10 drill bit. (*Skip step2 if towel dispensers are not installed*).

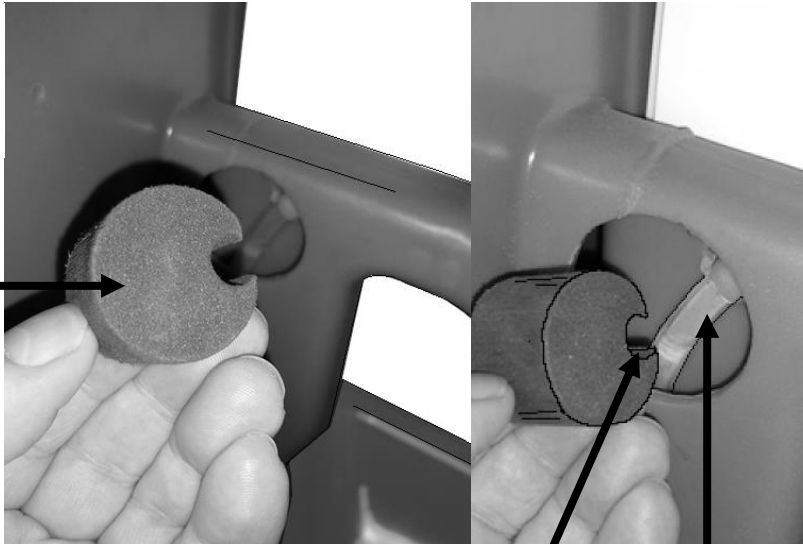


3. Remove 2" caps and set aside for reinstallation later.



4. Select Foam Plug ( PN 23821 ) position groove in plug towards fresh water-line.

FOAM PLUG  
( PN 23821 )

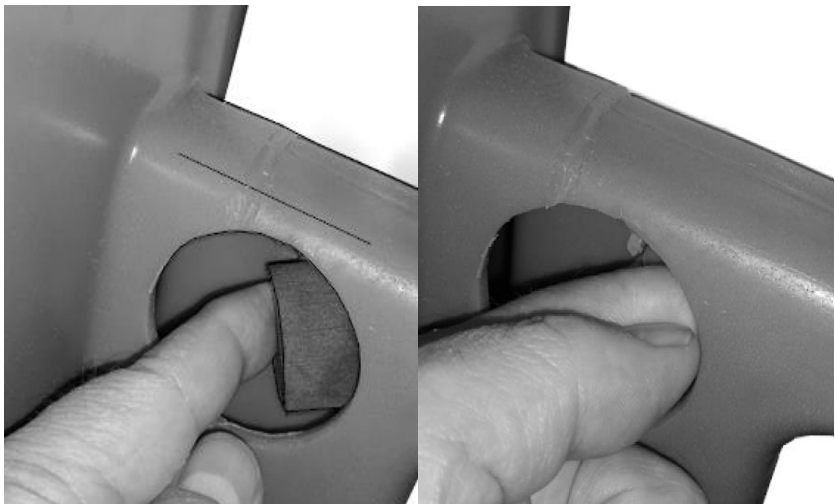


Groove

Fresh water-line

5. Push Foam Plug into neck of faucet; groove must stay on waterline.

- Insert to depth of 1 inch.
- Plug must be fully in place.
- Plug must not extend beyond waterline



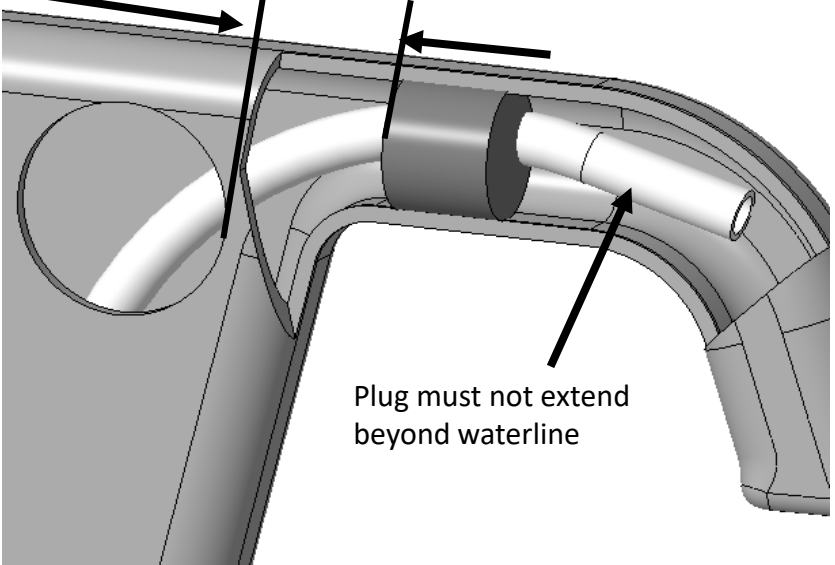
INSTALL DEPTH  
1" INCH

6. Reinstall

- 2" caps
- Towel Dispenser use Rivets ( PN 17436 )



RIVET GUN



Plug must not extend beyond waterline