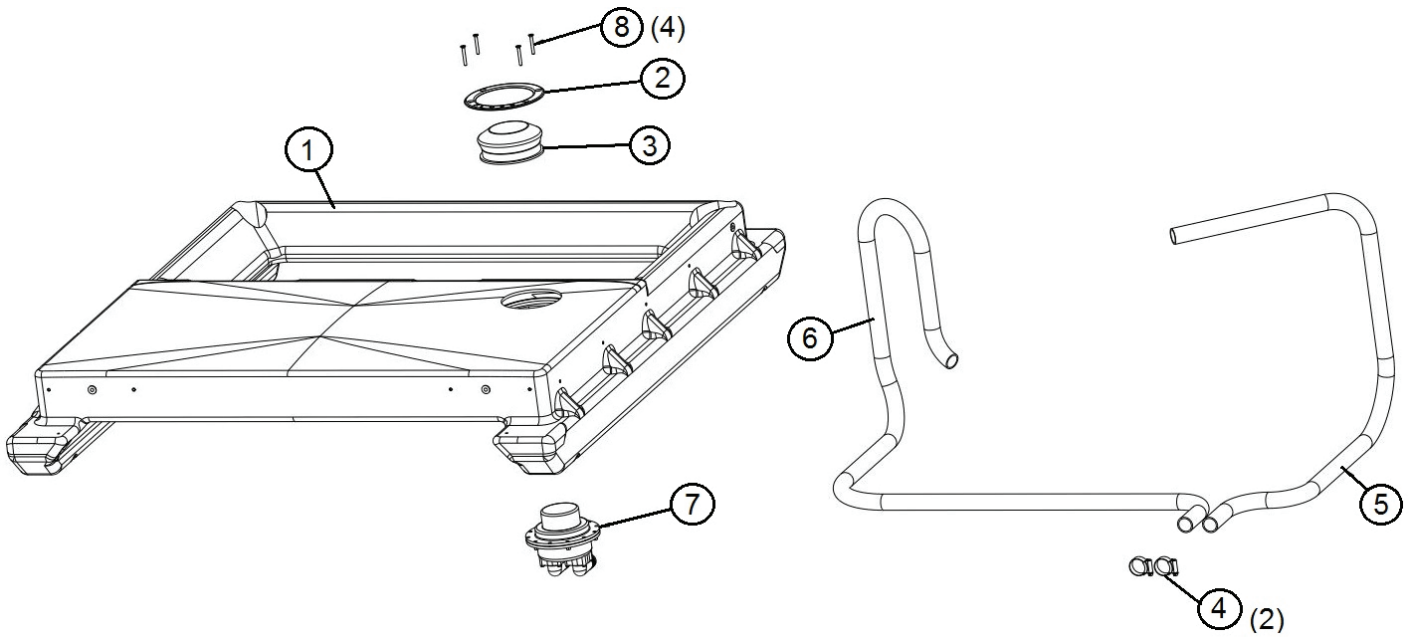

SECTION 6

FLUSHING KITS

- Tufway™
- Western
- Recirculating I
- Maxmin 3000™

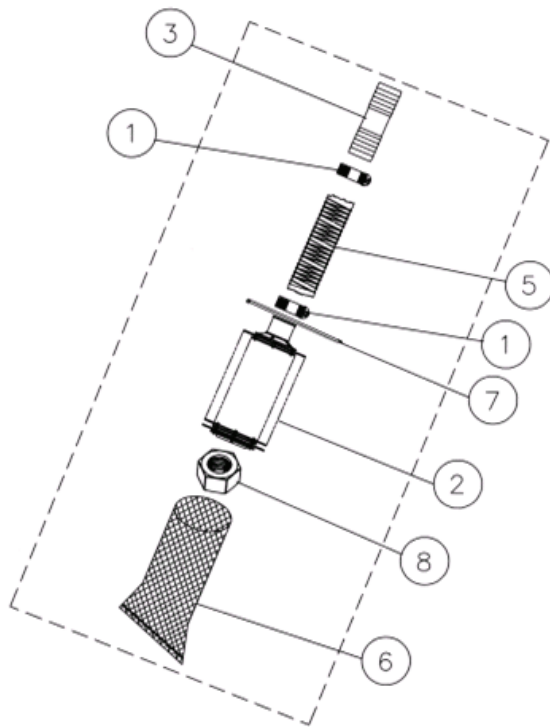


TUFWAY RECIRCULATING FOOT FLUSH (BASE ASSEMBLY)



REV C ITEM #	PART#	QPU	DESCRIPTION	PRICE EACH
	22381	1	BASE ASSY- BLOWMOLDED F/FLUSH	
1	22234	1	BASE- BLOWMOLDED (Bolt/w washer may be needed) Part#22384 (6 per base)	
2	16969	1	BEZEL- FOOT PUMP	
3	15801	1	BOOT- BUTTON PUMP (BLUE)	
4	12588	2	CLAMP- WORMDRIVE #12	
5	17097	1	HOSE- 3/4 X 72 GREEN	
6	20785	1	HOSE- 3/4 X 85 GREEN W/CUFFS	
7	21013	1	PUMP- ELBOW GUZZLER FOOT	
8	17505	4	SCREW- #10-24 X 1-1/2 STNLS PH	

TUFWAY RECIRCULATING FOOT FLUSH FILTER ASSEMBLY

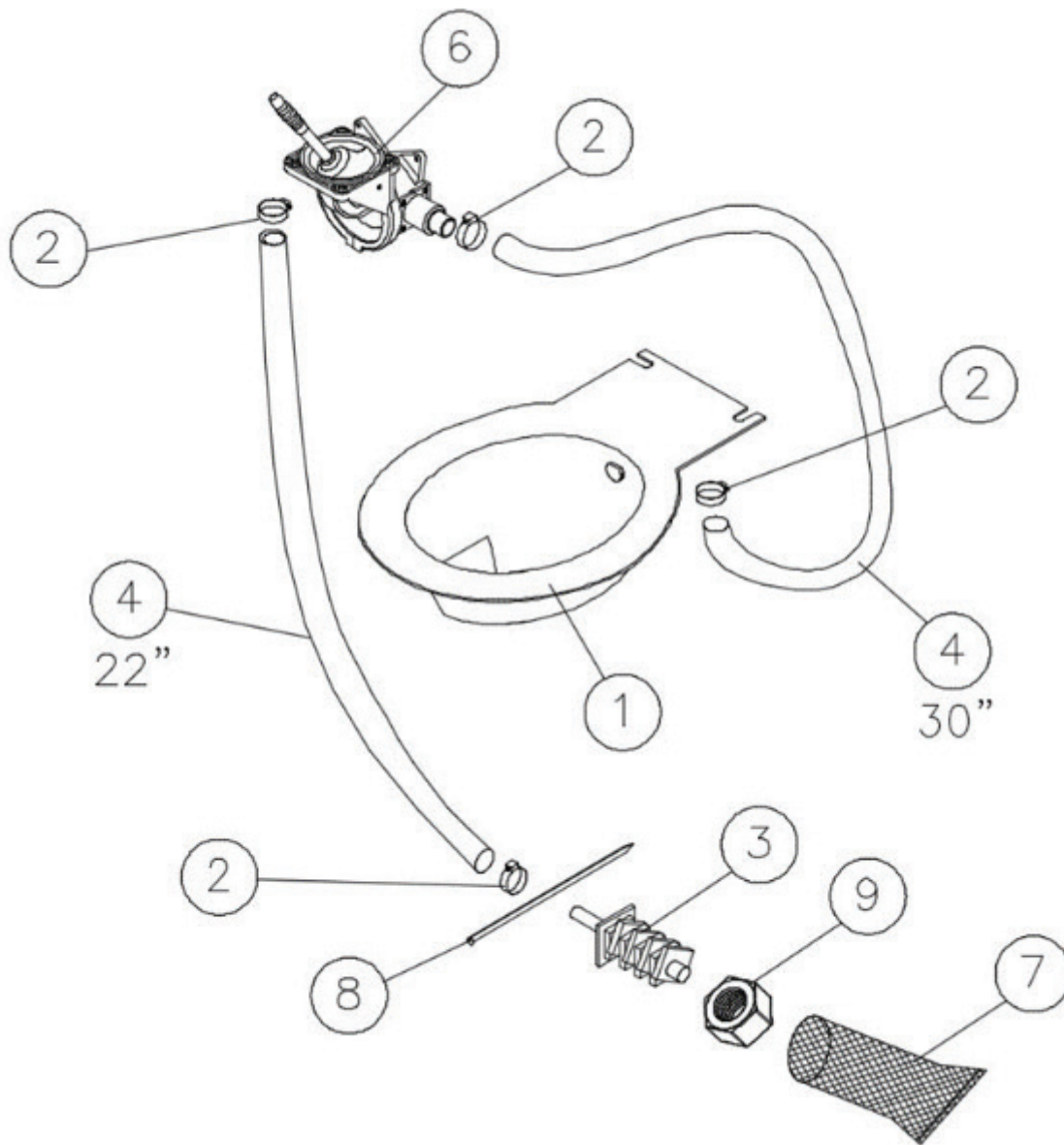





 PLACE THESE (2) PARTS IN
 CONTAINER WITH FILTER ASSY

REV E ITEM #	PART#	QPU	DESCRIPTION	PRICE EACH
	21048	1	FILTER ASSY- TFW FOOT FLSH	
1	12588	4	CLAMP- WORMDRIVE #12	
2	15143	1	FILTER- RECIRCULATING FLUSH	
3	21042	1	FITTING- 1in INS X 1in INS PVC	
4	21187	1	FITTING- 3/4 INS X 1 INS POLY	
5	14384	10"	HOSE- #44 FLEX	
6	16949	1	SCREEN- TURBO RECIRC FILTER	
7	11261	1	TIE- WIRE 6in	
8	21697	1	NUT- 1-1/8-7 UNC STNLS	
	20939	1	INSTRUCTION- TFW F/FLSH RT/BS (SEE WEBSITE)	

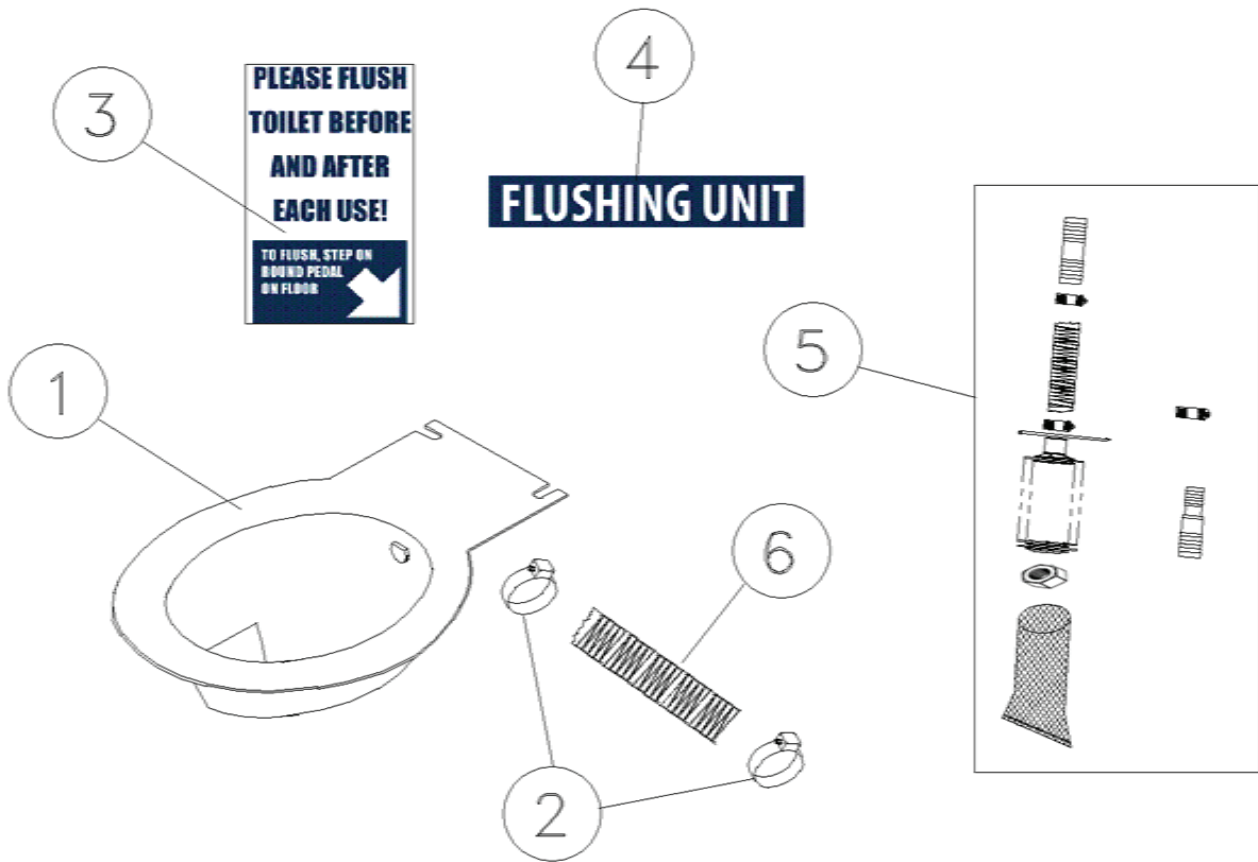
WESTERN FLUSH KIT



REV M ITEM #	PART#	QPU	DESCRIPTION	PRICE EACH
	15643	1	KIT- WESTERN FLSH H/PUMP RECIR	
1	18473	1	BOWL ASSY- FLUSH-II	
2	12588	4	CLAMP- WORMDRIVE #12	
3	15143	1	FILTER- RECIRCULATING FLUSH	
4	14384	52"	HOSE- #44 FLEX	
5	15644	1	INSTRUCTIONS- WEST H/FLSH RECIR (SEE WEBSITE)	
6	19173	1	PUMP- BILGE W/ELBOW (ELBOW ONLY #14958)	
7	16949	1	SCREEN- TURBO RECIRC FILTER	
8	11261	1	TIE- WIRE 6in	
9	21697	1	NUT- 1-1/8-7 UNC STNLS	

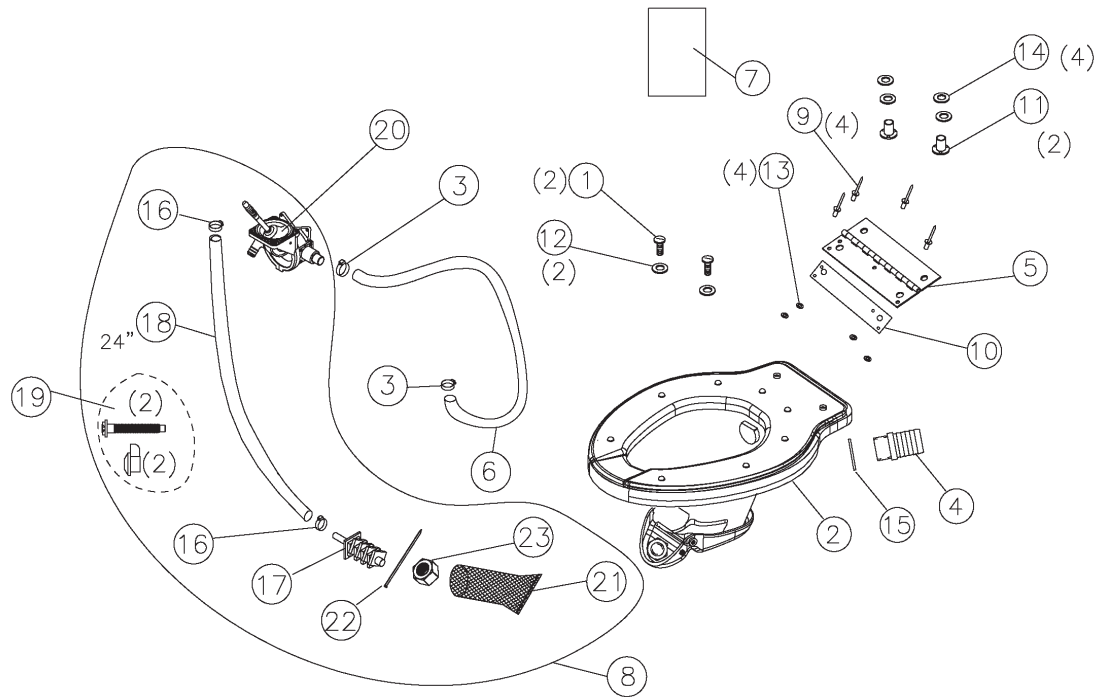
**WESTERN FLUSH IS COMPATIBLE WITH: TUFWAY • TAURUS • MAXIM
2000 • MAXIM 3000 • MAXIM 3000 II
HIGH TECH I • GLOBAL • GLOBAL 1.5 • FREEDOM 3 • LIBERTY**

KIT- RECIRCULATING FOOT FLUSH NO/FLAPPER



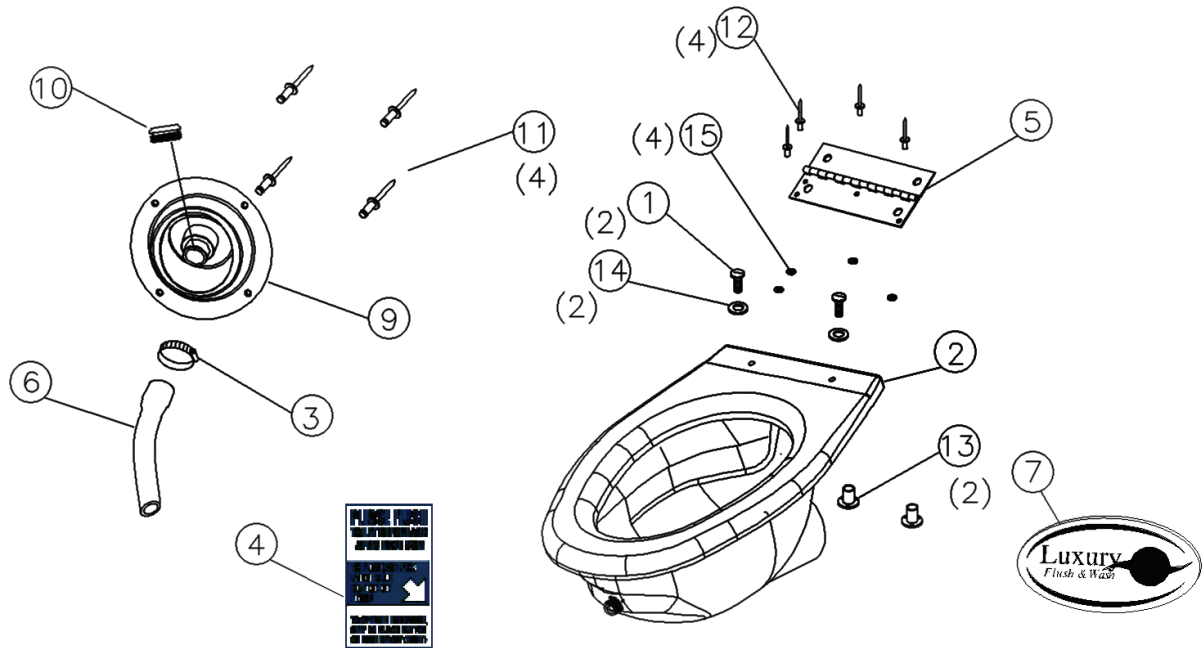
REV B ITEM #	PART#	QPU	DESCRIPTION	PRICE EACH
	21199	1	KIT- RECIR F/FLSH NO/FLAP	
1	18473	1	BOWL ASSY- WESTERN NO/FLAPPER	
2	12588	2	CLAMP- WORMDRIVE #12	
3	21150	2	DECAL- FOOT FLUSHING	
4	21151	1	DECAL- FLUSHING UNIT	
5	21048	1	FILTER ASSY- TFW FOOT FLSH	
6	14384	6"	HOSE- #44 FLEX	
7	21147	1	INSTR- RECIC F/FLSH NO FLAP (SEE WEBSITE)	

KIT- RECIR H/FLSH W/FLAPPER



REV F ITEM #	PART#	QPU	DESCRIPTION	PRICE EACH
	20946	1	KIT- RECIR H/FLSH W/FLAPPER	
1*	13216	2	BOLT- 1/4-20 X 3/4 SLOT PNHD	
2	21208	1	BOWL ASSY- F/FLSH H/FLSH W/FLP	
3	12588	2	CLAMP- WORMDRIVE #12	
4	21212	1	FITTING- 3/4 FPT X 1 INS PVC	
5	17169	1	HINGE- FLUSH BOWL	
6	14384	22"	HOSE- #44 FLEX	
7	20947	1	INSTR- RECIR H/FLSH W/FLAP	
8	15029	1	PUMP ASSY- H/FLSH	
9	18798	4	RIVET- #616 AAL POP	
10	19585	1	SPACER- STNLS BOWL	
11	16884	2	T-NUT- 1/4-20 X 3/4 PLTD	
12	12382	2	WASHER- 1/4 FLAT STNLS	
13	11315	4	WASHER- 3/16 RIVET STNLS	
14	11368	4	WASHER- 5/16 FLAT STNLS	
15	21085	1	WASHER- 1in FLAT STLNS	
16	12588	2	CLAMP, WORMDRIVE #12	
17	15143	1	FILTER, RECIRCULATING FLUSH	
18	14384	24"	HOSE, #44 FLEX	
19	19196	1	KIT, T/SEAT 2-1/2 BOLT/ NUT SET	
20	19173	1	PUMP, BILGE W/ ELBOW	
21	16949	1	SCREEN, TURBO RECIRC FILTER	
22	11261	1	TIE, WIRE 6IN.	
23	21697	1	Nut 1-1/8-7 UNC STNLS	

MAXIM 3000® FRESH FLUSH PLASTIC



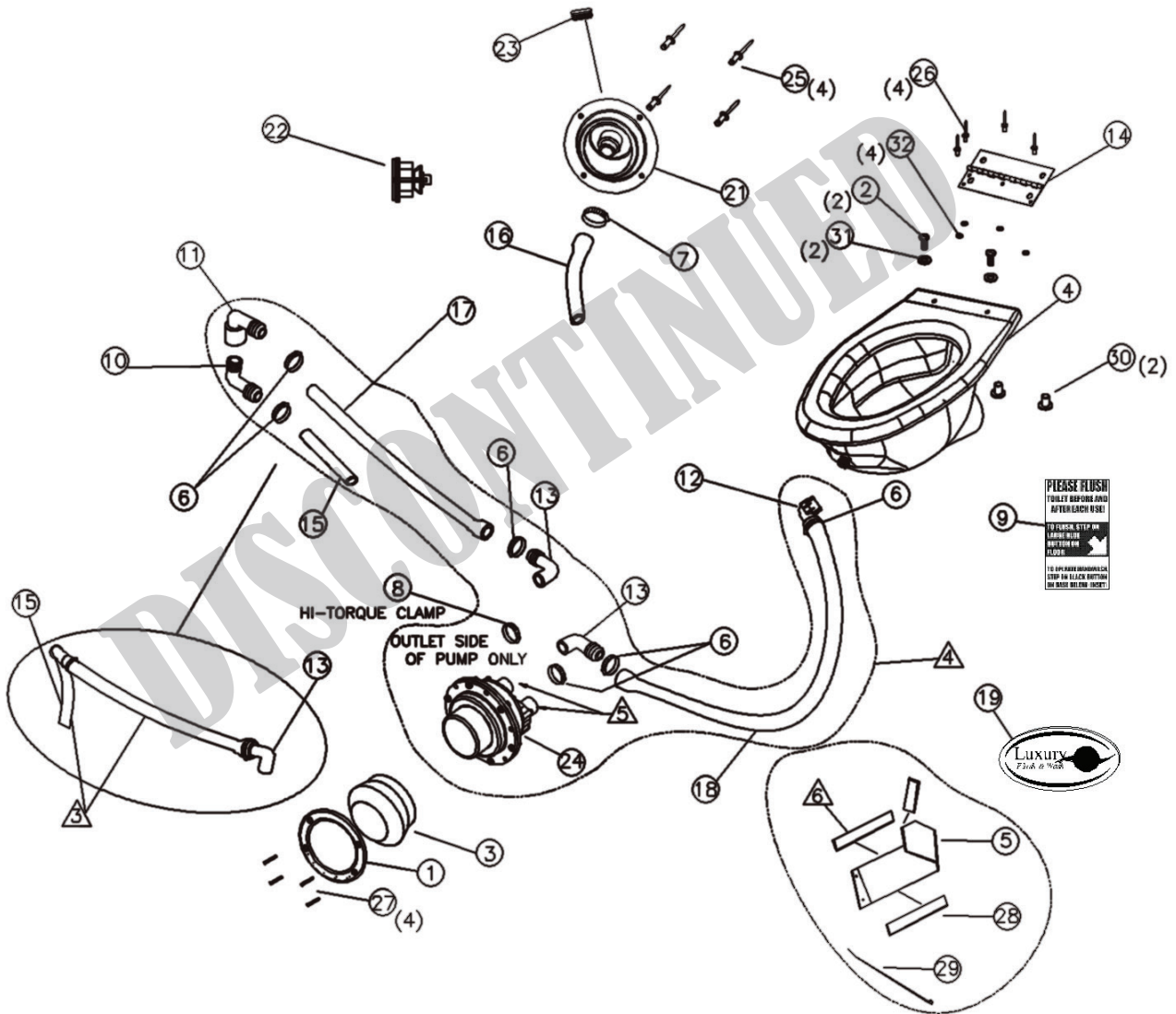
REV K ITEM #	PART#	QPU	DESCRIPTION	PRICE EACH
	17816	1	KIT- MX3 FRESH FOOT PLST BOWL	NOT SALEABLE
1*	13216	2	BOLT- 1/4-20 X 3/4 SLOT PNHD	
2	17442	1	BOWL ASSY- MX3 TURBO W/COLLAR	
3	10281	1	CLAMP- WORMDRIVE #20	
4	21150	1	DECAL- FOOT FLUSH	
5	17169	1	HINGE- FLUSH BOWL	
6	15968	1	HOSE- 1 X 8 GREEN	
7	17318	1	ICON- UPGRADE DECAL	
9	16858	1	PLATE- FILL/PUMP-OUT	
10	17224	1	PLUG- 1-5/8 ROUND HOLE	
11*	17436	4	RIVET- AVDEL SILVER	
12*	11270	4	RIVET- #68 STNLS	
13*	16884	2	T-NUT- 1/4-20 X 3/4 PLTD	
14*	12382	2	WASHER- 1/4 FLAT STNLS	
15*	11315	4	WASHER- 3/16 RIVET STNLS	
	19050	1	INSTRUCTIONS- MX3 TUR PLST BLOW (SEE WEBSITE)	

* Only sold in multiples of 100

REPAIR PARTS

REV K ITEM #	PART#	QPU	DESCRIPTION	PRICE EACH
B	18873	1	KIT- BILGE INNER/OUTER PLATES CONSISTS OF: 1. INNER PLATE 2. OUTER PLATE 3. SCREW 4. NUT 5. LARGE CIRCLIP (2) 6. SMALL CIRCLIP (2)	
B	15939	1	SLEEVE- BILGE HANDLE REPLACEMENT	
B	18875	1	KIT- BILGE UNDERDECK RING	
B	18877	1	KIT- BILGE GAITER FOR DECKPLATE CONSISTS OF: 1. DIAPHGAGM	
C	16713	1	KIT-BILGE VALVE REPLACEMENT (PUMP NOT INCLUDED IN KIT) CONSISTS OF: 1. DIAPHRAGM 2. INLET VALVE 3. OUTLET VALVE 4. SMALL CIRCLIPS (2) 5. LARGE CIRCLIPS (2)	
A	20508	1	BOOT- BABY FOOT PUMP (BLACK)	
B	19010	1	KIT- BILGE HANDLE ASSY FOR BILGE PUMP #14877- 15512 & 19173	
* Only sold in multiples of 100				

KIT- MAXIM3000 FRESH FOOT FLUSH NO/FLAPPER RETRO

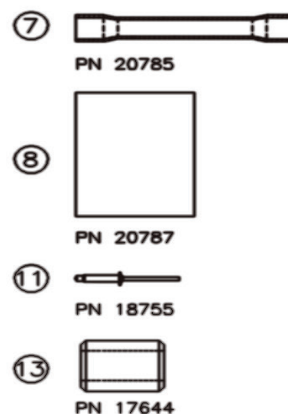
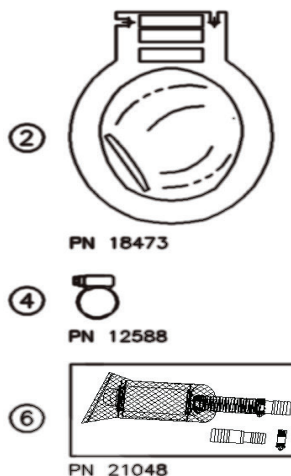
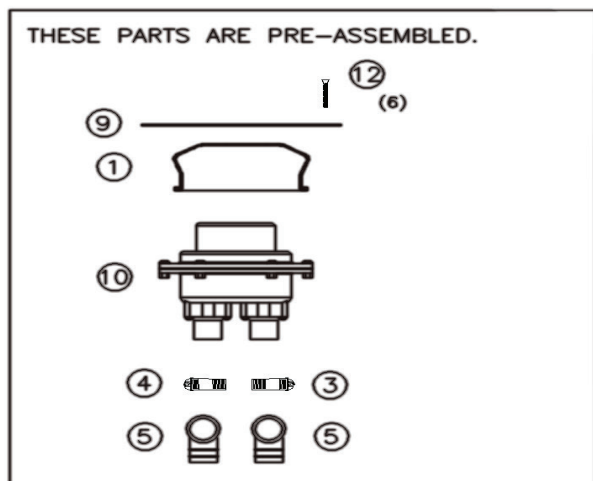


KIT- MAXIM3000 FRESH FOOT FLUSH NO/FLAPPER RETRO

REPLACEMENT PARTS ONLY

REV M ITEM #	PART#	QPU	DESCRIPTION	PRICE EACH
	17444	1	KIT- MX3 FRSH F/FLSH N/FL RETR	NOT SALEABLE
1	16969	1	BEZEL- FOOT PUMP	
2	13216	2	BOLT- 1/4-20 X 3/4 SLOT PNHD	
3	15801	1	BOOT- BUTTON PUMP	
4	17442	1	BOWL ASSY- MX3 PLST NO/FLAPPER	
5	17747	1	BRACKET- TURBO HOSE COVER PLST	
6	12588	6	CLAMP- WORMDRIVE #12	
7	10281	1	CLAMP- WORMDRIVE #20	
8	17498	1	CLAMP- #30 HI-TORQUE	
9	21150	1	DECAL- FOOT FLUSHING	
10	11977	1	ELBOW- 90 3/4 MPTX3/4 INS POLY	
11	14675	1	ELBOW- 90 3/4 FPT X 3/4 INS	
12	18145	1	ELBOW- 90 3/4 FPT X3/4 INS BLK	
13	14958	2	ELBOW- 90 1in PMP SLP X BOR HS	
14	17169	1	HINGE- FLUSH BOWL	
15	16222	7.5"	HOSE- 3/4 ROLLERFLEX GREEN	
16	15968	1	HOSE- 1 X 8 GREEN	
17	17096	1	HOSE- 3/4 X 25 GREEN	
18	17097	1	HOSE- 3/4 X 72 GREEN	
19	17318	1	ICON- UPGRADE DECAL	
20	17823	1	INSTR- MX3 FRSH F/FLSH RETRO	
21	16858	1	PLATE- MX3 FILL/PUMP-OUT DGRY	
22	17458	1	PLUG- 2in RUBBER HOLE	
23	22383	1	PLUG - URINAL MAXIM 3000 II	
24	17504	1	PUMP- STRAIGHT GUZZLER FOOT	
25	17436	4	RIVET- AVDEL SILVER	
26	11270	4	RIVET- #68 STNLS	
27	17505	4	SCREW- #10-24 X 1-1/2 STNLS PH	
28	17748	16"	STRIP- 1in ADHESIVE DOUBL BACK	
29	11470	1	TIE- WIRE 12in	
30	16884	2	T-NUT- 1/4-20 X 3/4 PLTD	
31	12382	2	WASHER- 1/4 FLAT STNLS	
32	11315	4	WASHER- 3/16 RIVET STNLS	

KIT- MAXIM3000/TRS REC FOOT FLUSH

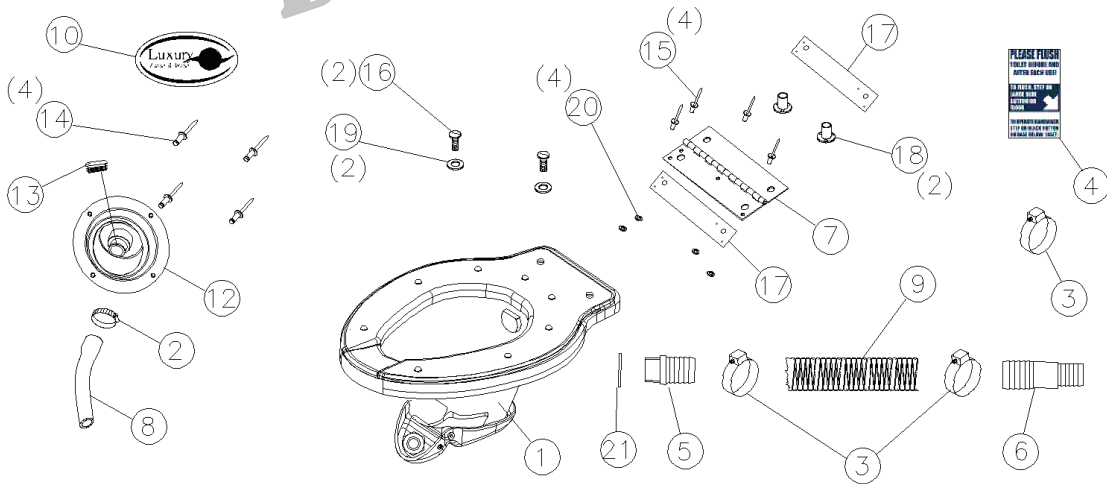


REV B ITEM #	PART#	QPU	DESCRIPTION	PRICE EACH
	20786	1	KIT- MX3/TRS REC F/FLSH WST/BL	
1	15801	1	BOOT- BUTTON PUMP (BLUE)	
2	18473	1	BOWL ASSY- WESTERN NO/FLAPPER	
3	17498	1	CLAMP- #30 HI-TORQUE	
4	12588	3	CLAMP- WORMDRIVE #12	
5	14958	2	ELBOW- 90 1in PMP SLP X BOR HS	
6	21048	1	FILTER ASSY- RECIRCULATING	
7	20785	2	HOSE- 3/4 X 85 GREEN W/CUFFS	
8	20787	1	INSTR- MX3/TRS REC F/FLSH W/BL	
9	18970	1	PLATE- HT2 FLUSH PUMP	
10	17504	1	PUMP- STRAIGHT GUZZLER FOOT	
11	18755	8	RIVET- AVDEL SILVER LONG	
12	19184	6	SCREW- #10-24 1-1/2 STNLS PHPN	
13	17644	1	TUBE- RESTRICTOR	

* Only sold in multiples of 100

KIT- MAXIM3000 FRESH FOOT FLUSH PLASTIC W/FLAPPER REPLACEMENT PARTS ONLY

DISCONTINUED



REV B ITEM #	PART#	QPU	DESCRIPTION	PRICE EACH
	21765	1	KIT- MX3 FRSH F/FLSH PL W/FLAP	NOT SALEABLE
1	21208	1	BOWL ASSY- PLST F/FLSH W/FLAP	
2	10281	1	CLAMP- WORMDRIVE #20	
3	12588	3	CLAMP- WORMDRIVE #12	
4	21150	1	DECAL- FOOT FLUSHING	
5	21212	1	FITTING- 3/4 FPT X 1 INS PVC	
6	21187	1	FITTING- 3/4 INS X 1 INS POLY	
	20943	1	FLAPPER- MX3 TURBO BOWL STNLS (works on plastic)	
7	17169	1	HINGE- FLUSH BOWL	
8	15968	1	HOSE- 1 X 8 GREEN	
9	14384	8"	HOSE- #44 FLEX	
10	17318	1	ICON- UPGRADE DECAL	
11	21766	1	INSTR- MX3 FRSH F/FLSH W/FLAP	
12	16858	1	PLATE- MX3 FILL/PUMP-OUT DGRY	
13	22383	1	PLUG- URINAL MX3 3000 II	
14*	17436	4	RIVET- AVDEL SILVER	
15	18798	4	RIVET- #616 AAL POP	
16*	18718	2	SCREW- 1/4-20 X 1 TRUSS HEAD	
17	19585	2	SPACER- STNLS BOWL	
18	16884	2	T-NUT- 1/4-20 X 3/4 PLTD	
19	12382	2	WASHER- 1/4 FLAT STNLS	
20	11315	4	WASHER- 3/16 RIVET STNLS	
21	21085	1	WASHER- 1in FLAT STLNS	

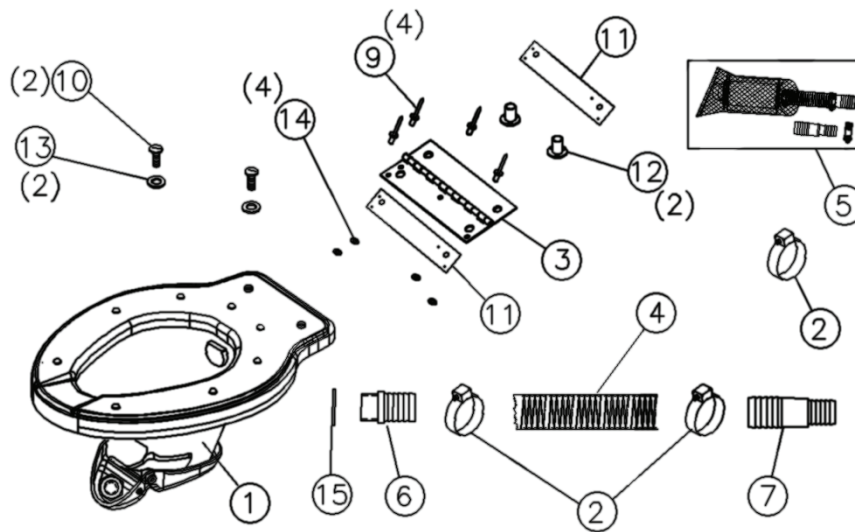
KIT- MAXIM3000 REC HAND FLUSH NO/FLAPPER

REPLACEMENT PARTS ONLY

REV K ITEM #	PART#	QPU	DESCRIPTION	PRICE EACH
	17642	1	KIT- MX3 REC H/FLSH NO/FLAP	NOT SALEABLE
1*	13216	2	BOLT- 1/4-20 X 3/4 SLOT PNHD	
2	17442	1	BOWL ASSY- MX3 PLST NO/FLAPPER	
3	12588	4	CLAMP- WORMDRIVE #12	
4	18145	1	ELBOW- 90 3/4 FPT X3/4 INS BLK	
5	15143	1	FILTER- RECIRCULATING FLUSH	
6	17169	1	HINGE- FLUSH BOWL	
7	17643	1	HOSE- 3/4 X 28 GREEN	
8	14384	35"	HOSE- #44 FLEX	
9	17318	1	ICON- UPGRADE DECAL	
	17645	1	INSTR- MX3 RECI H/FLSH NO/FLAP	
11	19173	1	PUMP- BILGE W/ELBOW (ELBOW ONLY #14958)	
12*	11270	4	RIVET- #68 STNLS	
13	16949	1	SCREEN- TURBO RECIRC FILTER	
14	11261	1	TIE- WIRE 6in	
15	16884	2	T-NUT- 1/4-20 X 3/4 PLTD	
16	17644	1	TUBE- RESTRICTOR	
17*	11315	4	WASHER- 3/16 RIVET STNLS	
18*	12382	2	WASHER- 1/4 FLAT STNLS	
19	21697	1	NUT- 1-1/8-7 UNC STNLS	

KIT- MAXIM3000/3000 II RECIRULATING FLUSH W/FLAPPER

CAN BE USED ON TUFWAY- MAXIM 3000- MAXIM 3000 II- GLOBAL- GLOBAL 1.5 AND HIGH RISE



REV E ITEM #	PART#	QPU	DESCRIPTION	PRICE EACH
	21301	1	KIT- MX3/MX3II/TUF REC F/FLW/FLP	
1	21208	1	BOWL ASSY- PLST F/FLSH W/FLAP	
2	12588	3	CLAMP- WORMDRIVE #12	
3	17169	1	HINGE- FLUSH BOWL	
4	14384	8"	HOSE- #44 FLEX	
5	21048	1	FILTER ASSY- RECIRC F/FLSH	
6	21212	1	FITTING- 3/4 FPT X 1 INS PVC	
7	21187	1	FITTING- 3/4 INS X 1 INS POLY	
	20943	1	FLAPPER- MX3 TURBO BOWL STNLS (works on plastic)	
8	21333	1	INSTR-KIT- MX3/MX3II/TUF REC F/FLW/FLP (SEE WEBSITE)	
9	18798	4	RIVET- #616 AAL POP	
10*	18718	2	SCREW- 1/4-20 X 1 TRUSS HEAD	
11	19585	2	SPACER- STNLS BOWL	
12*	16884	2	T-NUT- 1/4-20 X 3/4 PLTD	
13*	12382	2	WASHER- 1/4 FLAT STNLS	
14*	11315	4	WASHER- 3/16 RIVET STNLS	
15	21085	1	WASHER- 1in FLAT STLNS	

GREAT CUSTOMERS

THANK YOU



We're very thankful for you and your business. It's why we continue to grow and others enjoy working and playing in safe, sanitary conditions. Together, we have made the world a better place to live.



www.satelliteindustries.com | www.polyportables.com | **800-883-1123**