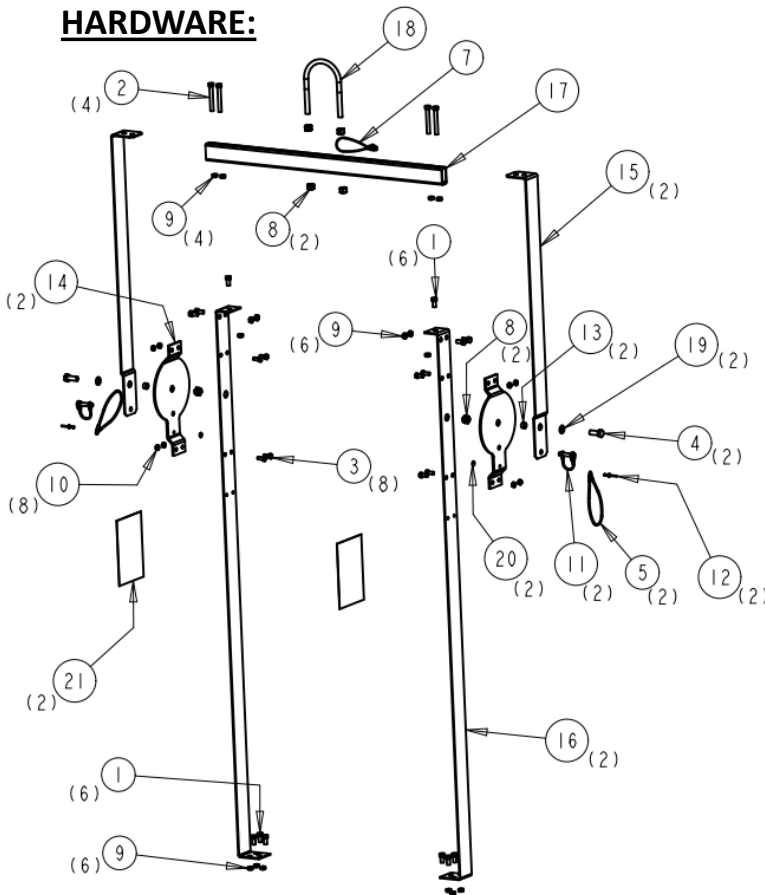


HIGH RISE LIFT

INSTALLATION INSTRUCTIONS

INTRODUCTION: Satellite portable restrooms and accessories must be assembled according to approved assembly procedures. Variations in assembly could adversely affect product life and warranty.

HARDWARE:



ITEM	PART#	QTY	DESCRIPTION
21	23951	2	DECAL- WARN HIGHRISE LIFT
20	11315	2	WASHER- 3/16 RIVET STNLS
19	16427	2	WASHER- 1/2" FLAT
18	20915	1	U-BOLT, HIGH RISE LIFT
17	20911	1	TUBE, HIGH RISE CROSS LIFT
16	20913	2	STRAP, HIGH RISE LIFT SIDE
15	20912	2	STRAP, HIGH RISE PIVOT
14	20914	2	STANDOFF, HIGH RISE LIFT
13	20918	2	SPACER, HIGH RISE .5 ID X 3/8
12	11027	2	RIVET, #66 ALUM
11	23954	2	PIN- 3/8 WIRE LOCK
10	13130	8	NUT, 5/16 NYLOC
9	12333	16	NUT, 3/8 NC NYLOC
8	18130	4	NUT, 1/2-13 NC NYLOC
7	21620	1	KIT, NAME PLATE HIGH RISE LIFT
6	20963	1	INSRTUCTION, HIGH RISE LIFT
5	23457	2	CABLE- 15" TAG4
4	10088	2	BOLT, 1/2-13 X 1-1/4 HXHD PLTD GR8
3	12149	8	BOLT, 5/16-18 X 3/4 HXHD PLATED GR5
2	21918	4	BOLT, 3/8-16 X 3 GR5 PLTD
1	19634	12	BOLT, 3/8-16 X 1 HXHD PLTD GR8
ITEM	PART#	QTY	DESCRIPTION

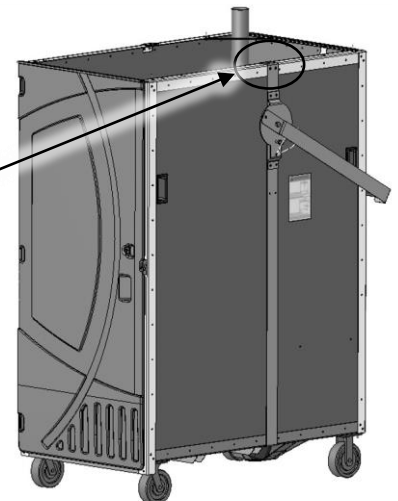
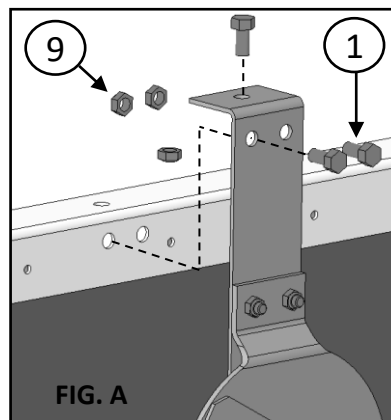
Note: High Rise Lift is partially assembled for your convenience. The above diagram is for your reference.

TOOLS: *DRILL ELEC/CORDLESS, * 25/64 DRILL BIT, *1/2 SOCKET, *1/2 OPEN END WRENCH
*9/16 SOCKET, *9/16 OPEN END WRENCH, *ADJUSTABLE WRENCH

ASSEMBLY TIP: Use 25/64 drill bit to open holes if bolts don't fit.

FASTEN SIDE STRAPS TO OUTSIDE OF UNIT.

1. Locate (3) holes inside Unit at top center on horizontal angles and align with top Strap holes.
2. Insert bolts from outside through holes fasten with lock nuts and tighten, use 9/16 wrench. SEE FIG. A



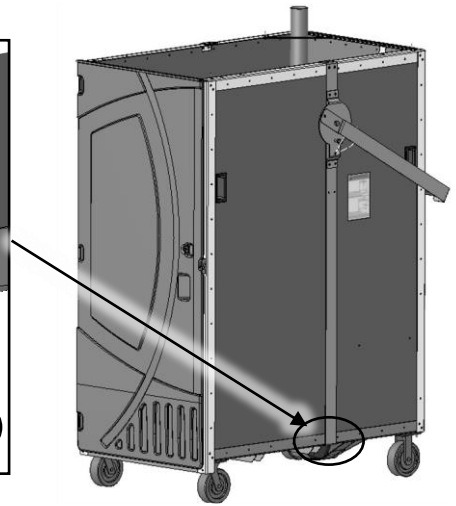
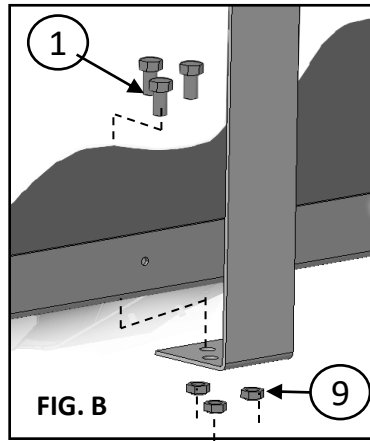
Continue to next page



2530 Xenium Lane North, Minneapolis, MN 55441
Telephone: 763-553-1900 Fax: 763-553-1905
800-328-3332 / www.satelliteindustries.com

Continued from page 1

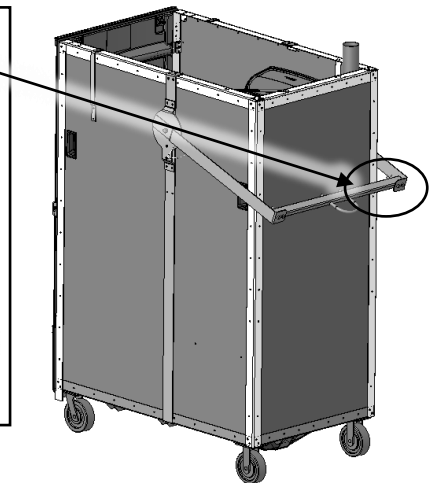
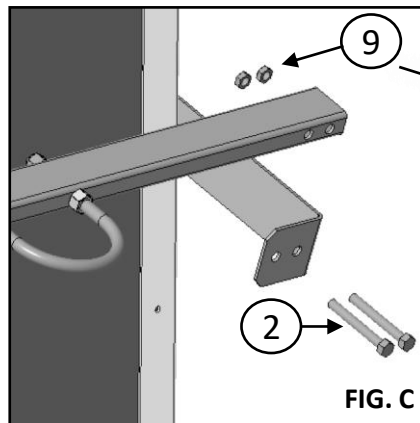
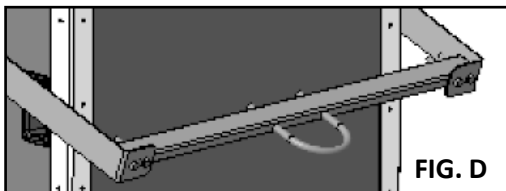
3. Locate (3) holes inside Unit on the floor near the tank corners and align with the bottom (3) Strap holes.
4. Insert bolts from inside through holes, fasten with lock nuts and tighten, use 9/16 wrench. **SEE FIG. B**
5. Repeat steps 1 thru 4 on opposite side.



FASTEN CROSS TUBE TO PIVOT STRAPS.

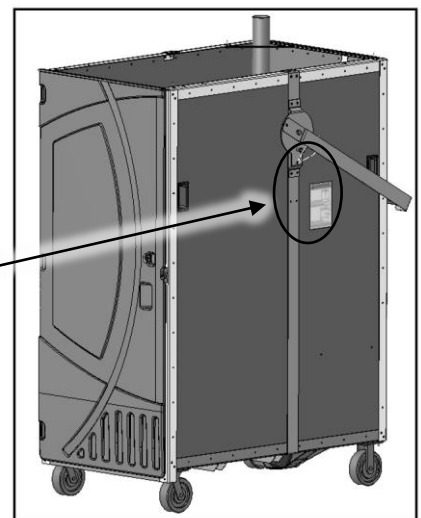
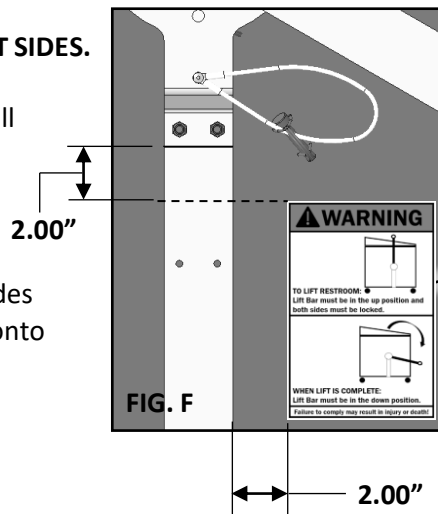
6. Locate (2) holes at each end of Cross-Tube and align with holes of Pivot Straps.
7. Insert bolts through holes in Pivot-Straps then through Cross-Tube holes. Fasten with lock nuts and tighten, use 9/16 wrench. **SEE FIG. C**

Note Cross-Tube must be assembled as Pictured in SEE FIG. D



APPLY WARNING DECALS TO UNIT SIDES.

8. Clean surfaces where Decals will be placed with dish detergent or denatured alcohol. Allow surfaces to dry completely.
9. Place Decals on left and right sides as shown in **SEE FIG. F**. Press decal onto surface and ensure it is adhering by gently rubbing with a clean towel.



Note Always follow Warning Label instructions.

