



28' FLEX SHOWER | 8 STATION

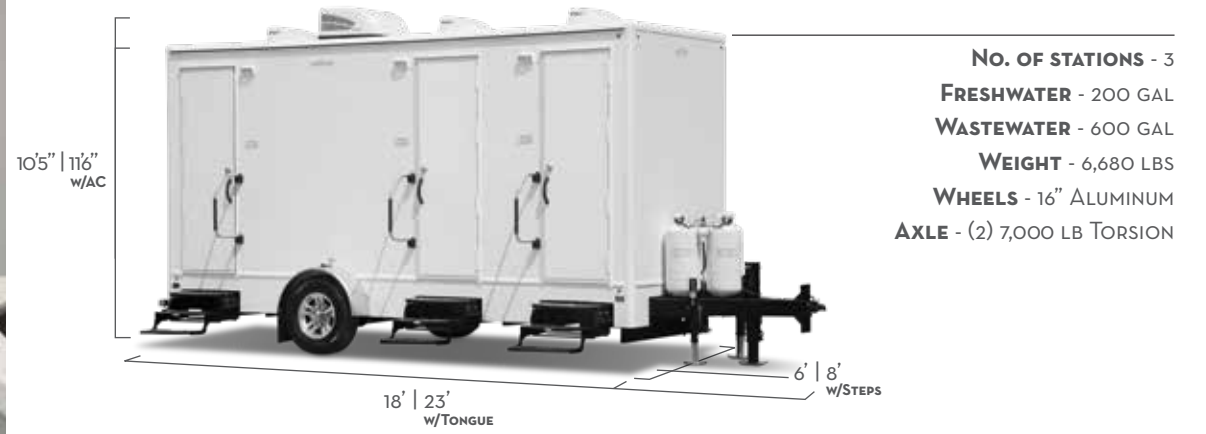
SHOWER/RESTROOM | 3 STATION

This trailer has three spacious, private shower rooms complete with sink and a toilet. Your customers will feel at ease showering and changing in a space all their own, with the added convenience of their own restroom facilities.

**Available Internationally.*



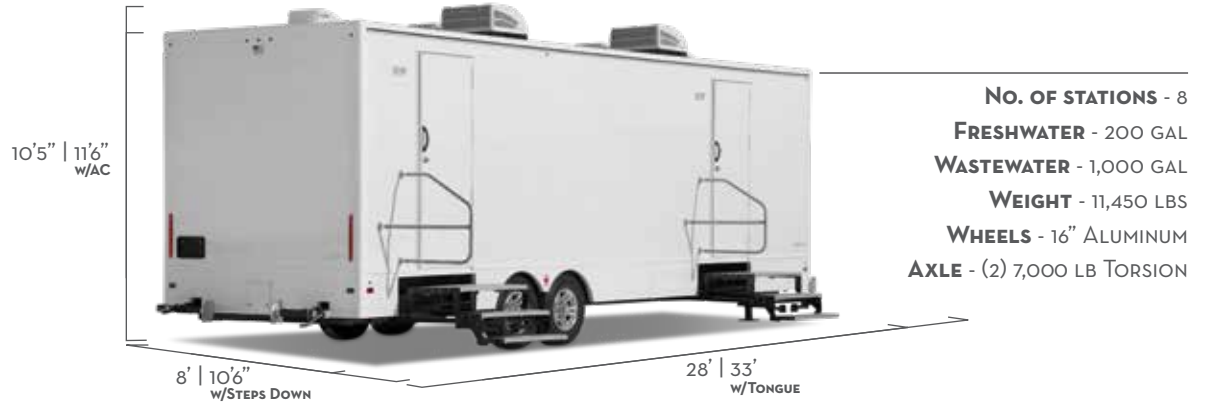
18' COMBO SHOWER | 3 STATION



- NO. OF STATIONS - 3**
- FRESHWATER - 200 GAL**
- WASTEWATER - 600 GAL**
- WEIGHT - 6,680 LBS**
- WHEELS - 16" ALUMINUM**
- AXLE - (2) 7,000 LB TORSION**

FLEX SHOWER | 8 STATION

The Satellite Suites 28' 8-Station Flex shower trailer offers you and your customers unparalleled flexibility. It can be configured as a 2 x 6, 4 x 4 or full 8 shower trailer, with each section having at least one sink and mirror. In addition, each individual shower has its own changing area with a private lock.



- NO. OF STATIONS - 8**
- FRESHWATER - 200 GAL**
- WASTEWATER - 1,000 GAL**
- WEIGHT - 11,450 LBS**
- WHEELS - 16" ALUMINUM**
- AXLE - (2) 7,000 LB TORSION**

8 DOOR SHOWER

This Beautiful 8-Door, 8-Station shower trailer is the most private shower trailer on the market. Each shower has it's own access and temperature control giving each user complete privacy and comfort.

**Same trailer is offered in an 8-Station Restroom.*



- NO. OF STATIONS - 8**
- WIDTH/STEPS DOWN - 8'5" | 10'5"**
- FRESHWATER - 200 GAL**
- WASTEWATER - 1000 GAL**
- WEIGHT - 13,000 LBS**
- WHEELS - 16" ALUMINUM**
- AXLE - (2) 7,000 LB TORSION**



28' 8 DOOR SHOWER | 8 STATION