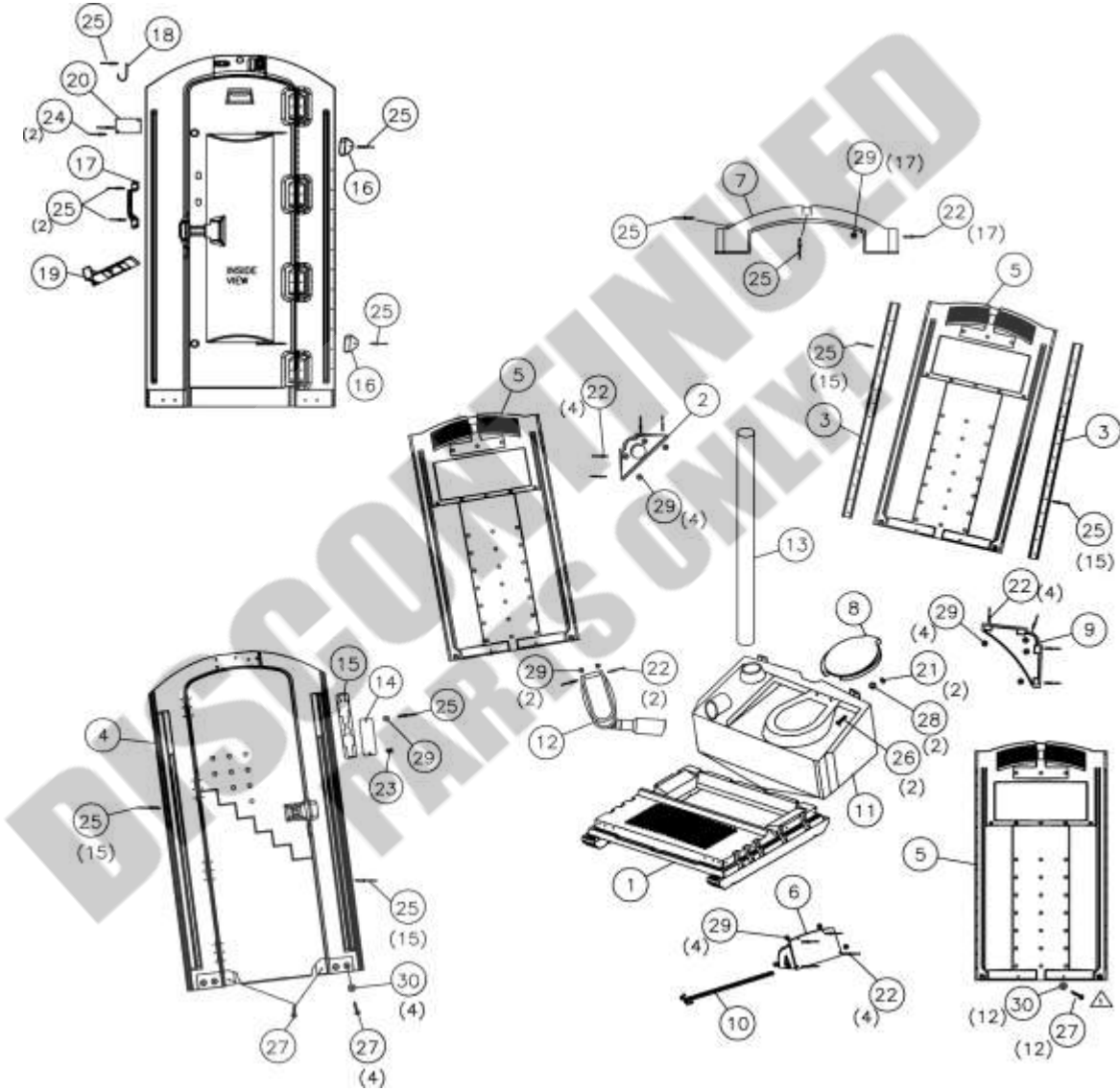


TAURUS® MAJOR ASSEMBLY

Discontinued



TAURUS® COLOR CHART

CUSTOM COLORS (QTY 300 – 4 TO 6 WEEKS LEAD TIME FROM ORDER RELEASE)

CONTACT AREA MANAGERS FOR PRICING

	GREY	BLUE	DARK GREEN	ORANGE	SAND	JADE	RED	GGRN	PINK	DGRN
FRONT	18744			18919	18347	18742	18897		20756	18741
PANEL	18671	18667	18668	18917	18673	18670	18896	18953	20755	18668
CORNER POST	18734	18732	18746		18748					18746

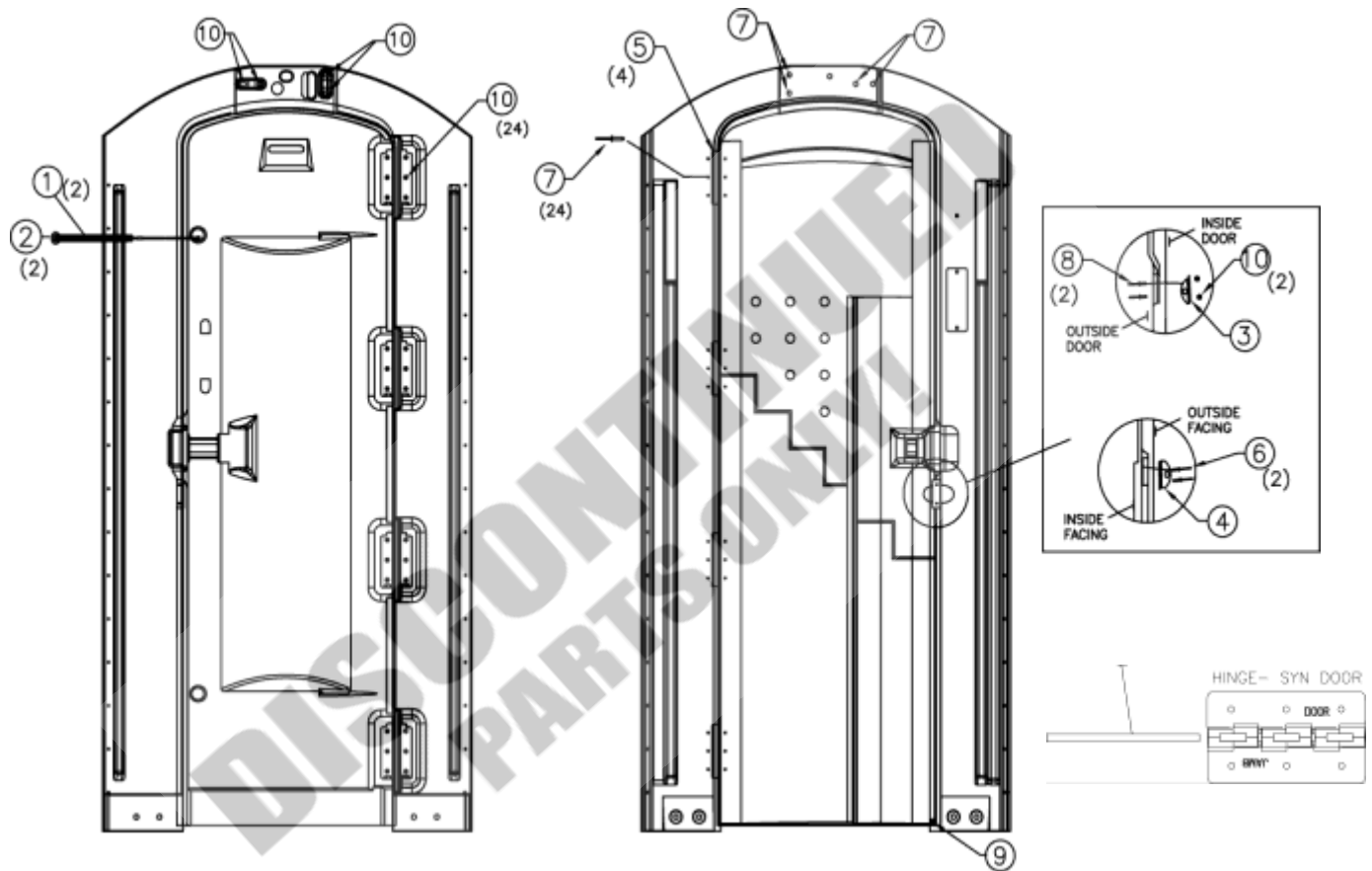
Visa / Mastercard / American Express / Discover
 \$25.00 Minimum Order — Prices and quantities subject to change / all prices are FOB FACTORY — Priced in U.S. Dollars
 20% minimum restocking charge applies on returns

TAURUS® MAJOR ASSEMBLY

REV G ITEM #	PART#	QTY PER UNIT	DESCRIPTION	PRICE EACH
1	18615	1	BASE- TRS/HT ROTOMOLD	
1A	40014	1	BASE- GB DIRT BUSTER	
2	18736	1	BRKT SHELF- TAURUS MGRY	
3	SEE CHART	2	CORNER POST- TAURUS	
4	SEE CHART	1	FRONT ASSY- TAURUS	
5	SEE CHART	3	PANEL- TAURUS	
	18709	1	HDWE- TAURUS (BM)	
6	22209	1	HOOD- PAPERGRD 3 ROLL DGRY	
	22337	1	KIT- PAPERGRD II 3 ROLL PUSHCAP	
	22335	1	KIT- PAPERGRD II 3ROLL POP RVT	
	19408	1	KIT- PAPERGRD 4 ROLL VERTICAL	
7	18683	1	ROOF- TAURUS	
8	14959	1	SEAT- ELONG MX2/MX3/TRS/HT/GB BLK (OLD TANKS PRE-05-11)	
	19196	1	KIT- T/SEAT 2-1/2 BOLT/NUT SET	
9	18735	1	SHELF- TAURUS MGRY	
10	22310	1	SPINDLE- PAPERGRD 3 ROLL METAL	
	18696	1	SPINDLE- PAPERGRD 3 ROLL WOOD	
11	18934	1	TANK- TAURUS DGRY	
12	18700	1	URINAL- TRS/HT W/TUBE	
	18856	1	TUBE- TRS/HT URINAL	
	18768	1	PLUG- URINAL HOLE SYNERGY TANK	
13	18754	1	VENT PIPE- SYN 4X64 BLACK	
14	18807	1	COVER- TAURUS GENDER	
15	18808	1	DECAL- TRS/HT GENDER 2X11 WHT	
16	18707	2	GUIDE- HT DOOR SPRING	
17	16807	1	HANDLE- PLASTIC HOVER (Post 2005)	
	18708	1	HANDLE- PLASTIC LUGGAGE (Pre-2005)	
18	10891	1	HOOK- FLAT COAT STNLS	
19	19592	1	LATCH- SLIDING ELBOW W/ENG LAB (OLD STYLE 18711)	
20	18710	1	MIRROR- 3 X 5 PLASTIC	
21*	13128	2	NUT- 1/4-20 NYLOC	
22*	11054	31	RIVET- #68 AAL POP	
23*	16804	1	RIVET- PINE TREE 1/4 X 9/16	
24*	11027	2	RIVET- #66 ALUM	
25*	18755	68	RIVET- AVDEL SILVER LONG	
26*	18705	2	SCREW- 1/4-20 X3/4 TRUSS STNLS	
27*	13860	18	SCREW- #14 X 1-1/2 W/WSH GOLD	
28*	12382	2	WASHER- 1/4 FLAT STNLS	
29*	11315	3	WASHER- 3/16 RIVET STNLS	
30*	11368	16	WASHER- 5/16 FLAT STNLS	
	18680	1	INSTRUCTIONS- TAURUS (NOT SHOWN)	

* ONLY SOLD IN MULTIPLES OF 100

TAURUS® FRONT ASSEMBLY



REV F ITEM #	PART#	QTY PER UNIT	DESCRIPTION	PRICE EACH
1	18704	2	CLOSURE ASSY- TAURUS (NEEDS 18760)	
2	18760	2	END CAP- TRS/HT2 CLOSURE	
3	18804	1	HASP- TRS/HT2 DOOR	
4	18805	1	HASP- TRS/HT/HT2 FACING	
5	18733	4	HINGE- SYN DOOR	
6*	17436	2	RIVET- AVDEL SILVER	
7*	11024	28	RIVET- #610 AAP	
8*	11270	2	RIVET- #68 STNLS	
9*	10122	1	SCREW- #10 X 3/4 PHPN TAP PLTD	
10*	11315	30	WASHER- 3/16 RIVET STNLS	
11	18730	4	HINGE PIN- REPLACMNT SYN DOOR	
	18763	1	DECAL- LATCH OPEN/INUSE SYN	
	19389	1	KIT TAURUS SECURITY PLATE	
	19537	1	KIT- TRS/HT/WC LATCH COVER REP	

* ONLY SOLD IN MULTIPLES OF 100